

**PROJECT DESCRIPTION:**

SLEEVE PILES ON EXISTING RESIDENTIAL DOCK AS SHOWN ON ATTACHED PLANS.

**PROPERTY OWNER:**

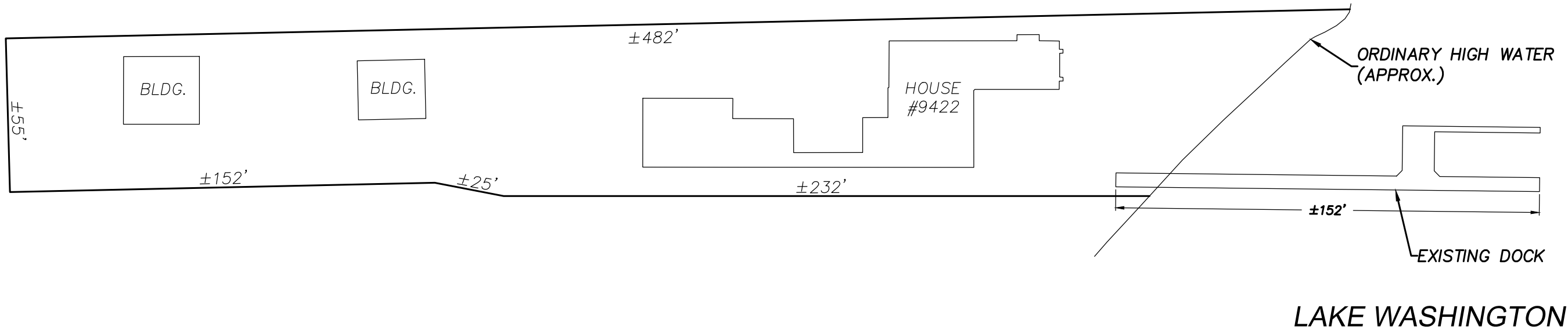
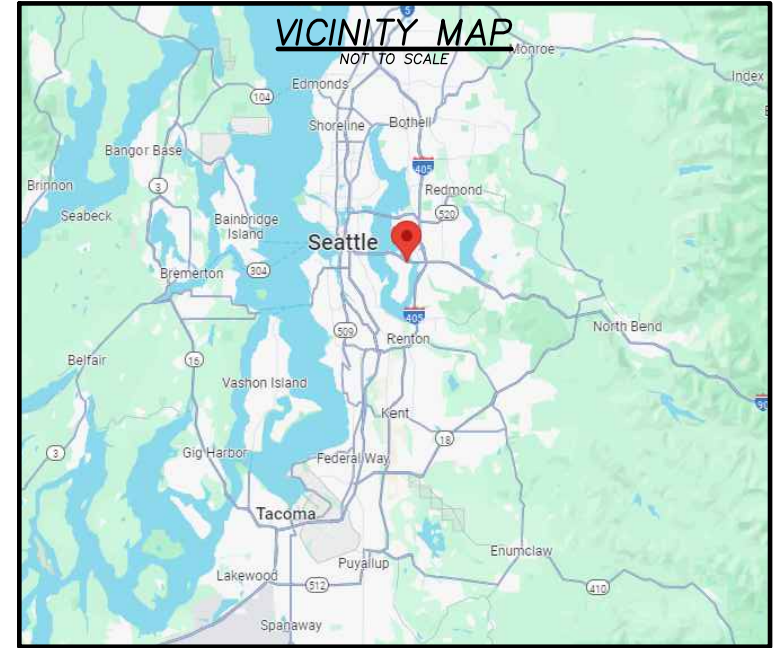
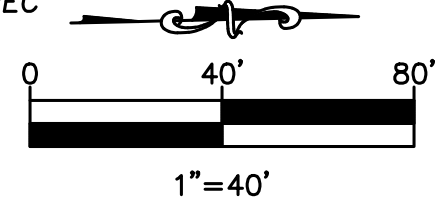
THOMAS GRAUE  
9422 SE 33RD ST.  
MERCER ISLAND, WA 98040

**CONTACT:**

IRWIN LAND USE CONSULTING, LLC  
P.O. BOX 1715  
BELLINGHAM, WA 98227  
(360) 410-6745  
irwinlanduse@gmail.com

**LEGAL DESCRIPTION:**

LAKEMONT ADD UNREC POR GL 4 STR 7-24-5 DAF - BAAP 834 N & 156 W OF SE COR SD GL TH W 55 FT TH N TO SHORE OF LAKE WASHINGTON TH SELY ALG SD SH LN TAP N OF POB TH S TO POB TGW POR SD GL DAF - BAAP 854 FT N & 136 FT W OF SE COR SD GL TH N 133 FT TH N 12-13-22 E 23.88 FT TO POB TH S 12-13-22 W 23.88 FT TH N TO SD SHORE TH SELY TAP N 1-19 E FROM POB TH S 1-19 W 208.79 FT TO POB TGW 2ND CL SH LDS LY SELY OF LN DAF- BAAP 834 FT N & 211 FT W OF SE COR SD GL 4 TH N 528.31 FT TO LN OF ORDINARY HIGH WATER & BEG OF SD SH LDS LN TH N 36-04-18 E TO OUTER LIMITS OF 2ND CL SH LDS & TERM DESC LN PER LATERAL LINE AGREEMENT REC #20160408000135 & SURV REC #20160408900001



\*LOT BOUNDARIES AND BUILDING LOCATIONS PER GEODIMENSIONS SURVEY 9/24/2010 AND KING COUNTY ASSESSOR'S GIS DATA. DOCK DIMENSIONS, PROJECT DESCRIPTION AND WATER DEPTHS PER LAKESIDE CONSTRUCTION.



LAKESIDE CONSTRUCTION  
P.O. BOX 525  
ISSAQUAH, WA 98027  
(206) 850-0250  
sales@lakesideseattle.com

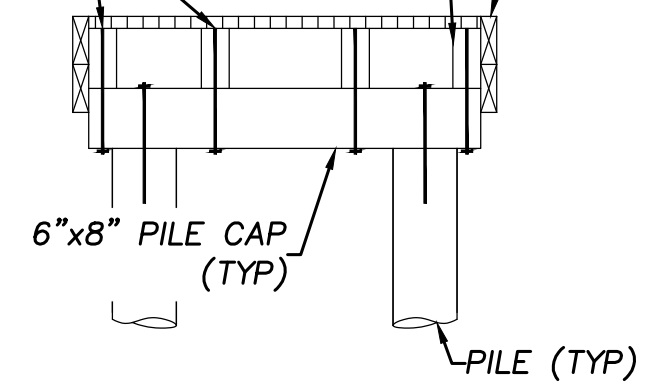
| REV | DATE | BY | DESCRIPTION |
|-----|------|----|-------------|
|     |      |    |             |
|     |      |    |             |
|     |      |    |             |
|     |      |    |             |

**GRAUE**  
**DOCK REPAIR**  
9422 SE 33RD ST  
MERCER ISLAND, WA 98040

|                 |            |
|-----------------|------------|
| PROJECT NUMBER: | 2432       |
| PARCEL NUMBER:  | 4139300390 |
| ISSUE DATE:     | 10/24/2024 |

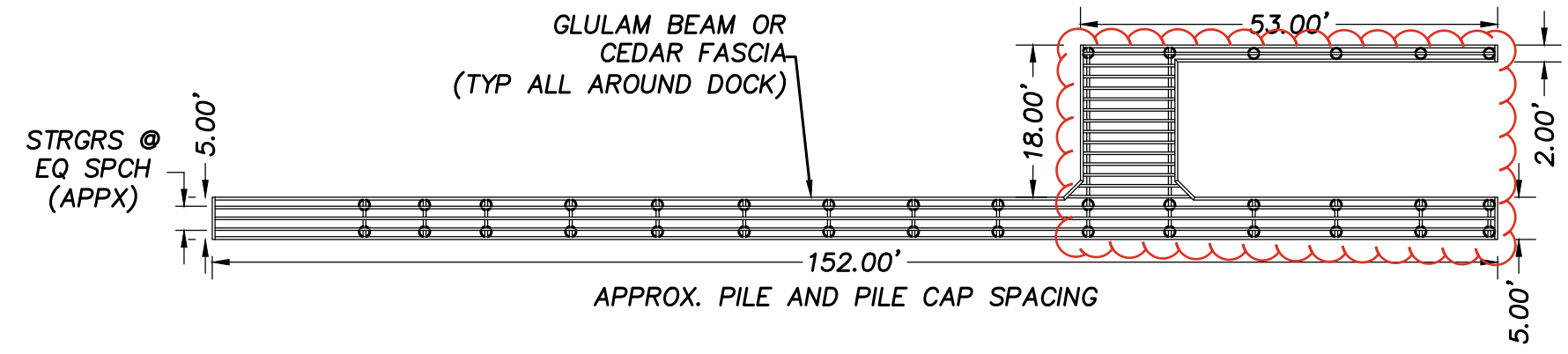
ALTERNATING 1/2"x16" GALV. THRU-BOLTS  
AND 1/4"x12" EPOXY TIMBER LOCKS

4"x8" STRINGER (TYP)  
(2) 2"x6" CEDAR FASCIA (ALL AROUND)

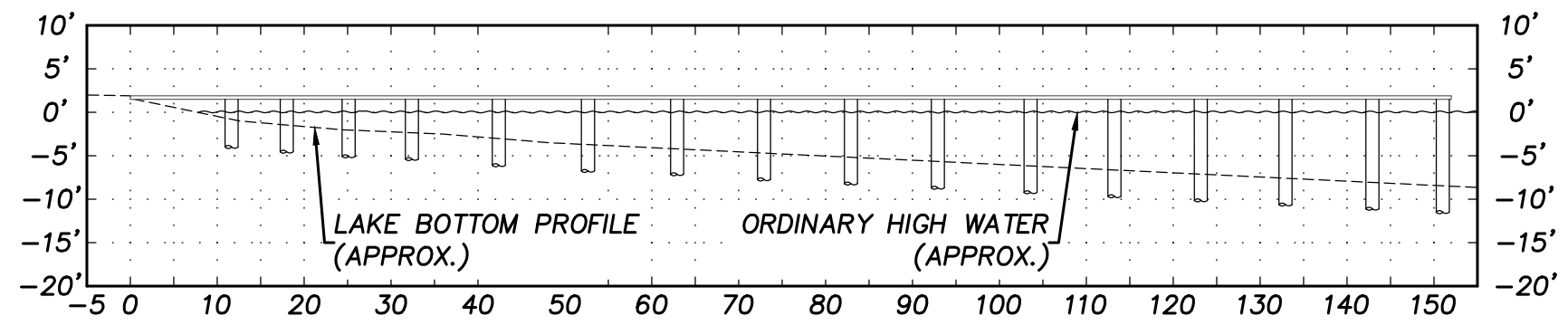


PIER END SECTION  
NTS

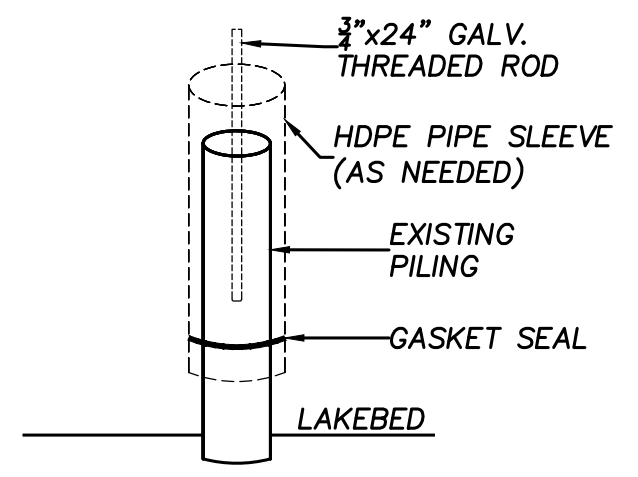
= NOTE 18 OF 36 TOTAL PILES TO BE SLEEVED PER 19.13.050(F)(2)



DOCK LAYOUT  
SCALE: 1"=20'



DOCK PROFILE  
SCALE: 1"=20'



PILE SLEEVING DETAIL  
NTS



LAKESIDE CONSTRUCTION  
P.O. BOX 525  
ISSAQUAH, WA 98027  
(206) 850-0250  
sales@lakesideseattle.com

| REV | DATE | BY | DESCRIPTION |
|-----|------|----|-------------|
|     |      |    |             |
|     |      |    |             |
|     |      |    |             |
|     |      |    |             |

**GRAUE**  
**DOCK REPAIR**  
9422 SE 33RD ST  
MERCER ISLAND, WA 98040

|                 |            |
|-----------------|------------|
| PROJECT NUMBER: | 2432       |
| PARCEL NUMBER:  | 4139300390 |
| ISSUE DATE:     | 10/24/2024 |