

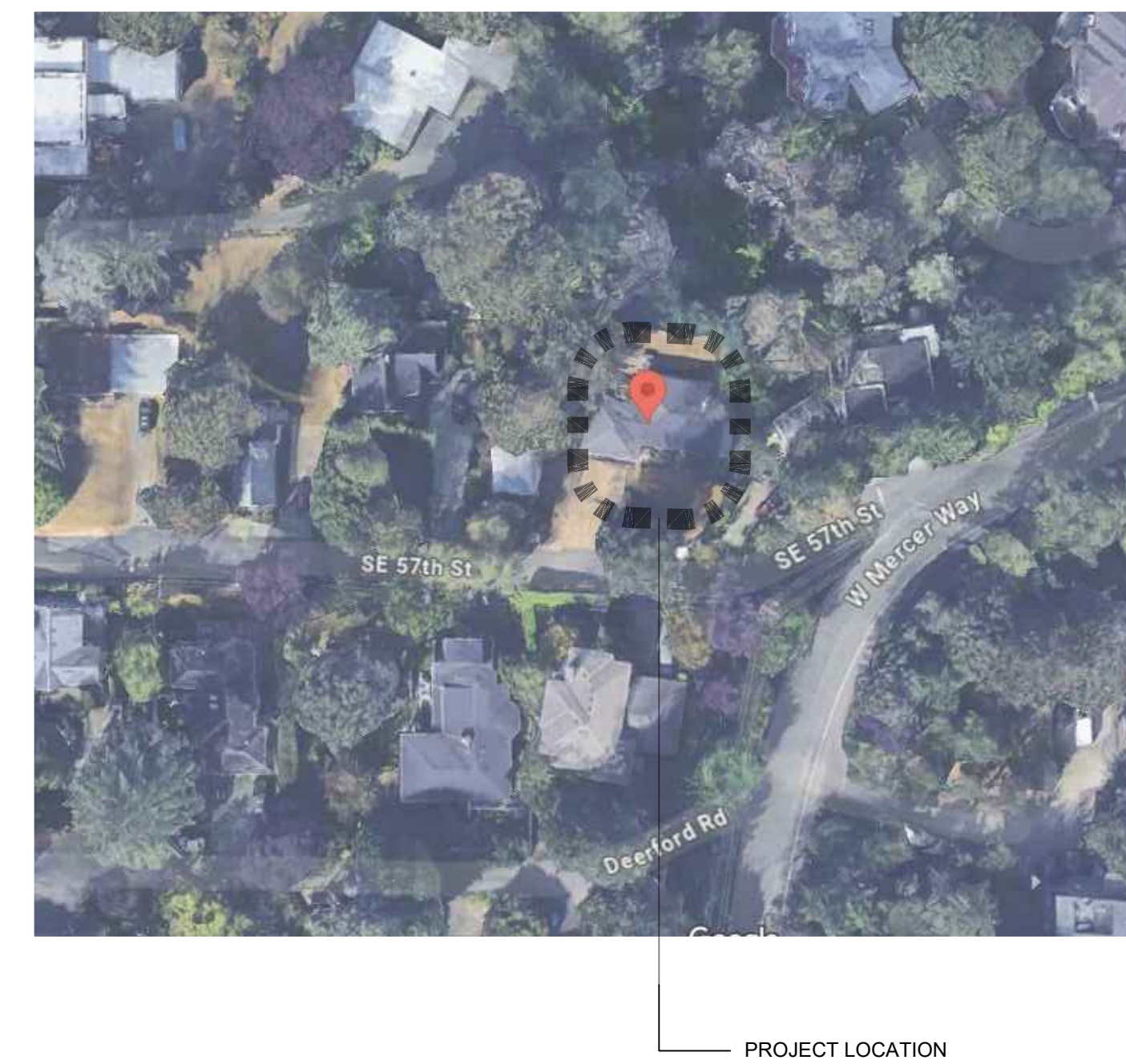
MATERIAL KEY

	CONCRETE		CONTINUOUS STRUCTURAL FRAMING MEMBER
	GRAVEL FILL		BLOCKING (NOT CONTINUOUS)
	UNDISTURBED SOIL		WOOD FINISH MATERIAL
	SAND FILL		PLYWOOD
	RIGID INSULATION		HIDDEN OR BURIED MATERIAL IN ANOTHER MATERIAL
	BATT INSULATION		
	MASONRY-BRICK OR CONCRETE BLOCK		

DRAWING SYMBOL KEY

GRID BUBBLE		CEILING HEIGHT TAG	
	GRID NO.		CEILING HEIGHT DIMENSION
DETAIL TAG		INTERIOR ELEVATION TAG	
	DETAIL NO. SHEET NO.		ELEVATION NO. SHEET NO.
SECTION TAG		FINISH TAG	
	SECTION LETTER SHEET NO.		FINISH TYPE & NO.
DOOR TAG		KEYNOTE TAG	
	DOOR NO.		KEYNOTE NO.
WINDOW TAG		SAFETY GLAZING	
	WINDOW NO.		SAFETY GLAZING
WALL TAG		FAN	
	WALL TYPE		EXHAUST FAN W/ CFM
SMOKE & CARBON MONOXIDE DETECTORS		DATUM TAG	
	SMOKE DETECTOR		DATUM LEVEL
	COMBINATION SMOKE & CO DETECTOR		

VICINITY MAP



DRAWING INDEX

GENERAL	G0.1 G0.2 G0.3 X100	GENERAL NOTES, LEGENDS & ABBREVIATIONS SITE PLAN SURVEY ARBORIST TREE PLAN
ARCHITECTURAL	A1.0 A1.1 A1.2 A2.1 A3.1 A3.2 A4.1 A4.2 A5.1 A5.2 A6.1	FOUNDATION PLAN FIRST FLOOR PLAN SECOND FLOOR PLAN ROOF PLAN ELEVATIONS ELEVATIONS BUILDING SECTIONS BUILDING SECTIONS WALL ASSEMBLIES CONSTRUCTION DETAILS DOOR & WINDOW SCHEDULES
STRUCTURAL	S1.0 S2.0 S2.1 S2.2 S3.0 S4.0 S4.0 S7.0 S7.1	GENERAL NOTES FOUNDATION PLAN FRAMING PLAN FRAMING PLAN DETAILS DETAILS DETAILS DETAILS DETAILS

ABBREVIATIONS

AFF & @	ABOVE FINISH FLOOR AND APPROXIMATE(LY)	MECH.	MECHANICAL
BD.	BOARD BUILDING	MFR.	MANUFACTURER
CL.G.	CENTER LINE	MIN.	MINIMUM
C.I.	CONTINUOUS INSULATION	M.O.	MASONRY OPENING
C.J.	CONTROL JOINT	N.I.C.	NOT IN CONTRACT
CMU.	CONCRETE MASONRY UNIT	N.T.S.	NOT TO SCALE
CONC.	CONCRETE	#	NUMBER
CONT.	CONTINUOUS	O.C.	ON CENTER
C.T.	CERAMIC TILE	OPG.	OPENING
D.	DRYER	O/	OVER
DW	DISH WASHER	I	PARALLEL
DIA.	DIAMETER	±	PERPENDICULAR
D.S.	DEGREES	LB. or #	POUNDS
DWG.	DRAWING	P.S.F.	POUNDS PER SQUARE FOOT
EA.	EACH	P.S.I.	POUNDS PER SQUARE INCH
E.J.	EXPANSION JOINT	P.T.	PRESSURE TREATED
ELEC.	ELECTRICAL	REBAR	REINFORCING STEEL
EL.	ELEVATION	REQD	REQUIRED
EQ.	EQUAL	REQM	REQUIREMENT
EQUIP.	EQUIPMENT	R.	RISERS
EX.	EXISTING	RE.	REFER OR REGARDING
EXT.	EXTERIOR	REF.	REFRIGERATOR
F.D.	FLOOR DRAIN	R.D.	ROOF DRAIN
F.O.S.	FACE OF STUD	R.O.	ROUGH OPENING
F.R.	FIRE-RETARDANT	R.S.	ROD AND SHELF
FT. or'	FOOT/FEET	S.D.	SMOKE DETECTOR
F.F.L.	FINISH FLOOR LEVEL	S.C.	SOLID CORE
GA.	GAUGE OR GAGE	S.F.	SQUARE FOOT/FEET
G.C.	GENERAL CONTRACTOR	SIM.	SIMILAR
GALV.	GALVANIZED	SPEC.	SPECIFICATIONS
GLULAM.	GLUE LAMINATED LUMBER	S.S.	STAINLESS STEEL
GYP. BD.	GYP. BOARD	STD.	STANDARD
H or HT.	HEIGHT	STR.	STRUCTURAL
H.C.	HOLLOW CORE	T.	TREAD
H.M.	HOLLOW METAL	T.O.B.	TOP OF BEAM
HORIZ.	HORIZONTAL	T.O.C.	TOP OF CONCRETE
IN. or"	INCH(ES)	T.O.W.	TOP OF WALL
INT.	INTERIOR	T&G	TONGUE AND GROOVE
JT.	JOINT	TYP.	TYPICAL
LAV.	LAVATORY	U.L.	UNDERWRITER'S LABORATORY
LVL.	LAMINATED-VENEER LUMBER	U.O.N.	UNLESS OTHERWISE NOTED
MAX.	MAXIMUM	V.I.F.	VERIFY IN FIELD
		W.	WIDTH
		W/	WITH
		W/IN	WITHIN
		W.C.	WATER CLOSET
		W.	WASHER
		W.W.M.	WELDED WIRE MESH
		WD.	WOOD

BUILDING ENVELOPE COMPLIANCE:

BUILDING ENVELOPE COMPLIANCE TO BE PRESCRIPTIVE IN ACCORDANCE WITH WSEC R401.2 AND ALL ASSEMBLIES TO MEET R VALUES SET IN TABLE R402.1.1.

PROJECT INSULATION R & U VALUES

WINDOWS & DOORS:	U = 0.28 (SEE ENERGY CREDITS)
SKYLIGHTS:	U 0.50
ROOF AND CEILING @ TRUSSES:	R-49
ROOF AND CEILING @ RAFTERS:	R-38
WALLS @ ABOVE GRADE:	R-21
WALLS @ BELOW GRADE:	R-10 C.I. @ EXT., R-15 C.I. @ INT., or R-21 @ INT. WALL W/ THERMAL BREAK
FLOORS @ CRAWL SPACE:	R-30
FLOORS @ SLAB:	R-10 W/IN 2' FROM PERIMETER

GENERAL NOTES

- THESE CONSIST OF THE DRAWINGS, AND OTHER DOCUMENTS LISTED IN THE CONTRACT BETWEEN OWNER AND ARCHITECT. THE INTENT OF THE CONTRACT DOCUMENTS IS TO INCLUDE ALL ITEMS NECESSARY FOR THE PROPER EXECUTION AND COMPLETION OF THE WORK.
- THESE DRAWINGS, THE DESIGN CONTAINED WITHIN AND AS CONSTRUCTED ARE COPYRIGHT 2023 BY PELLETIER + SCHAAR, L.L.C.; AUTHORIZED USE OF THESE DRAWINGS ARE GRANTED SOLELY FOR THE PURPOSE OF THIS SPECIFIC PROJECT AND LOCATION.
- IT SHALL BE THE RESPONSIBILITY OF THE CONTRACTOR, SUBCONTRACTORS AND MATERIAL SUPPLIERS TO CAREFULLY EXAMINE EACH PAGE OF THE DRAWINGS. THE CONTRACTOR SHALL PROMPTLY NOTIFY THE ARCHITECT IF THE DRAWING ARE OBSERVED TO BE AT VARIANCE.
- THE CONTRACTOR SHALL VISIT THE SITE AND BECOME FAMILIAR WITH LOCAL CONDITIONS AND FIELD VERIFY EXISTING CONDITIONS. IT IS THE RESPONSIBILITY OF THE CONTRACTOR TO NOTIFY THE ARCHITECT OF DISCREPANCIES OR CONDITIONS THAT HINDER THE COMPLETION OF WORK PER THE CONTRACT DOCUMENTS - PRIOR TO WORK BEING DONE.
- ALL DIMENSIONS ARE ±, WHETHER NOTED OR NOT, AND SHALL BE FIELD VERIFIED AT EXISTING CONDITIONS.
- THE CONTRACTOR SHALL PROCURE AND PAY FOR NECESSARY PERMITS.
- WORK SHALL INCLUDE PROVIDING ALL FORMS OF PROTECTION AS NECESSARY TO PRESERVE THE WORK OF OTHER TRADES, FREE FROM DAMAGED. ALL TRADES SHALL PROTECT THEIR OWN WORK TO PREVENT DAMAGE BY OTHER DURING COURSE OF CONSTRUCTION. FINISH SURFACES SHALL BE PROPERLY PROTECTED AT TIME OF INSTALLATION.
- FINAL ORIENTATION FOR THE BUILDING ON THE SITE AND ESTABLISHMENT OF FLOOR LEVEL BENCH MARK SHALL BE REVIEWED BY THE ARCHITECT.
- BEFORE ORDERING ANY MATERIAL OR STARTING ANY WORK WHICH MAY BE AFFECTED BY ADJACENT WORK OF OTHERS, CONTRACTOR SHALL VERIFY MEASUREMENTS AT BUILDING AND BE RESPONSIBLE FOR CORRECTNESS OF THESE MEASUREMENTS.
- DRAWING SHALL NOT BE SCALED. NOTED DIMENSION TAKE PRECEDENCE OVER SCALED DIMENSIONS. WINDOW, CABINETS, AND ALL SHOP BUILT ITEMS SHALL BE FIELD MEASURED PRIOR TO FABRICATION AND INSTALLATION. FINAL LOCATIONS OF SWITCHES, FIXTURES, GRILLES, COVERS, ETC. SHALL BE DETERMINED ON THE JOB. VERIFY EXACT LOCATIONS WITH ARCHITECT BEFORE ROUGH-IN.
- ROUGH FRAMING HORIZONTAL DIMENSION ARE SHOWN FROM FACE OF STUD TO FACE OF STUD. ROUGH FRAMING VERTICAL DIMENSION ARE SHOWN FROM TOP OF CONCRETE SLAB TO TOP OF FLOOR SHEATHING TO TOP OF WALL PLATE.
- WORKMANSHIP SHALL CONFORM TO BEST STANDARDS AND HIGHEST QUALITY OF TRADES AND SHALL INCLUDE ALL ITEMS OF FABRICATION, CONSTRUCTION, AND INSTALLATION. WORK SHALL BE EXECUTED BY SKILLED MECHANICS. WHEN COMPLETE, ALL PARTS SHALL BE DURABLY AND SUBSTANTIALLY BUILT AND SHALL PRESENT A NEAT WORKMAN - LIKE APPEARANCE.
- INSTALL EQUIPMENT AND MATERIALS IN STRICT ACCORDANCE WITH MANUFACTURE'S CURRENT PUBLISHED INSTRUCTIONS AND RECOMMENDATIONS.

DEMOLITION GENERAL NOTES

- THESE NOTES INDICATE THE GENERAL EXTENT OF DEMOLITION. REMOVE AND DISPOSE OF MATERIALS AND EQUIPMENT WHICH ARE NOT INCORPORATED IN NEW WORK OR (E) TO REMAIN. PROTECT ELECTRICAL SERVICE, WATER SERVICE AND OTHER TO THAT WHICH ARE TO REMAIN.
- REFER TO REMAINDER OF ARCHITECTURAL PLAN(S) AND VERIFY NEW SYSTEM LAYOUTS PRIOR TO COMMENCING DEMOLITION.
- REMOVE ALL DEBRIS FROM SITE TO A LICENSED DISPOSAL SITE.
- COORDINATE WITH LOCAL UTILITY COMPANIES AND CITY OF MERCER ISLAND DISTRICT FOR SHUT DOWN AND RECONNECT OF SERVICES.
- PROTECT ALL PUBLIC PUBLIC WAYS AND ADJACENT PROPERTIES.
- WORK SEQUENCES AND SCHEDULES TO BE APPROVED BY OWNER BEFORE WORK COMMENCES.
- PROVIDE TEMPORARY BARRIERS AND FENCING TO GUARD AND PROTECT WORK AREA.
- HAZARDOUS MATERIALS MAY BE EVIDENT AT THE SITE IF CONTRACTOR ENCOUNTERS ASBESTOS-CONTAINING OR OTHER HAZARDOUS MATERIALS NOT PREVIOUSLY INDICATED THEY ARE TO STOP WORK AND NOTIFY OWNER.

SCOPE OF WORK

ADDITIONS AND ALTERATIONS TO EXISTING RESIDENCE

PROJECT INFORMATION

ADDRESS:	8032 SE 57TH ST, MERCER ISLAND, WA 98040
PARCEL NO.:	1574100620
ZONING:	R-8.4
LEGAL DESCRIPTION:	CHRISTIAN CHURCH CAMP ADD 11-12-13 & 21-22 & POR OF 14 & 19-20 WLY OF FOLG DESC LN BED AT PT ON S LN OF SD 20 DIST 4 FT WLY OF SE COR OF SD TH NELY TO PF ON N LN OF SE DIST 9 FT ELY OF NWLY COR OF 14; PLAY BLOCK: 8; PLAT BLOCK: POR
LOT AREA:	0.22 ACRES, 9,679 S.F.
BUILDING AREA:	1,485 S.F. FIRST FLOOR FINISHED 724 S.F. SECOND FLOOR FINISHED 2,209 S.F. TOTAL FINISHED
	440 S.F. GARAGE

PROJECT ENERGY CREDITS PROVIDED:

SMALL DWELLING UNIT:	5.0 CREDITS REQ.
PROVIDED CREDITS:	
FUEL NORMALIZATION CREDITS	
2. HEAT PUMP AND ELECTRIC RESISTANCE HEAT OR COMBUSTION FURNACE	1.5 CREDITS
1.2 EFFICIENT BUILDING ENVELOPE OPTIONS Prescriptive compliance is based on Table R402.1.3 with the following modifications: Vertical fenestration U=0.25, Floor R-38, Slab on grade R-10 perimeter and under entire slab, Below grade slab R-10 perimeter and under entire slab.	1.0 CREDITS
3.2 HIGH EFFICIENCY HVAC EQUIPMENT Air-source centrally ducted heat pump with minimum HSPF of 9.5.	0.5 CREDITS
5.5 EFFICIENT WATER HEATING OPTIONS Water heating system shall include one of the following: Gas-fired heat pump water heater(s) meeting the standards for Tier II of NEEA's advanced water heating specification for gas-fueled residential storage water heaters, version 1.0	1.5 CREDITS
7.1 APPLIANCE PACKAGE OPTION All of the following appliances shall be new and installed in the dwelling unit and shall meet the following standards: Dishwasher – Energy Star rated, Most Efficient 2021	0.5 CREDITS
TOTAL	5 CREDITS

APPLICABLE BUILDING CODES

- 2021 INTERNATIONAL BUILDING CODE
- 2021 WASHINGTON STATE BUILDING CODE
- 2021 WASHINGTON STATE ENERGY CODE
- 2021 INTERNATIONAL FIRE CODE
- 2021 INTERNATIONAL MECHANICAL CODE
- 2021 INTERNATIONAL PLUMBING CODE
- 2017 ANSI ACCESSIBLE AND USABLE BUILDINGS AND FACILITIES
- CITY OF MERCER ISLAND AMENDMENTS AND ORDINANCES

PROJECT TEAM

OWNER:	JEFF RUDD
ADDRESS:	8032 SE 57TH ST, MERCER ISLAND, WA 98040
PHONE:	425-830-0373
CONTACT PERSON:	JEFF RUDD
ARCHITECT:	PELLETIER + SCHAAR, LLC
ADDRESS:	26911 98TH DR. NW, STE. B, STANWOOD, WA 98292
PHONE:	360-629-5375
CONTACT PERSON:	DAVID PELLETIER, AIA
STRUCTURAL ENGINEER:	CDE INC.
ADDRESS:	6021 ROOSEVELT WAY NE, SEATTLE, WA 98115
PHONE:	425-343-7517
CONTACT PERSON:	ALEX MOROSEOS, PE SE

DEFERRED PERMITS

A NFPA 13D FIRE SPRINKLER SYSTEM IN COMPLIANCE WITH NFPA 3D AND CoMI STANDARDS SHALL BE INSTALLED THROUGHOUT THE RESIDENCE. A SEPARATE FIRE PERMIT IS REQUIRED

PELLETIER + SCHAAR
Vision Based Architecture
26911 98th Dr. NW, Suite B · Stanwood, WA 98292
www.pelletierschaar.com · 360-629-5375

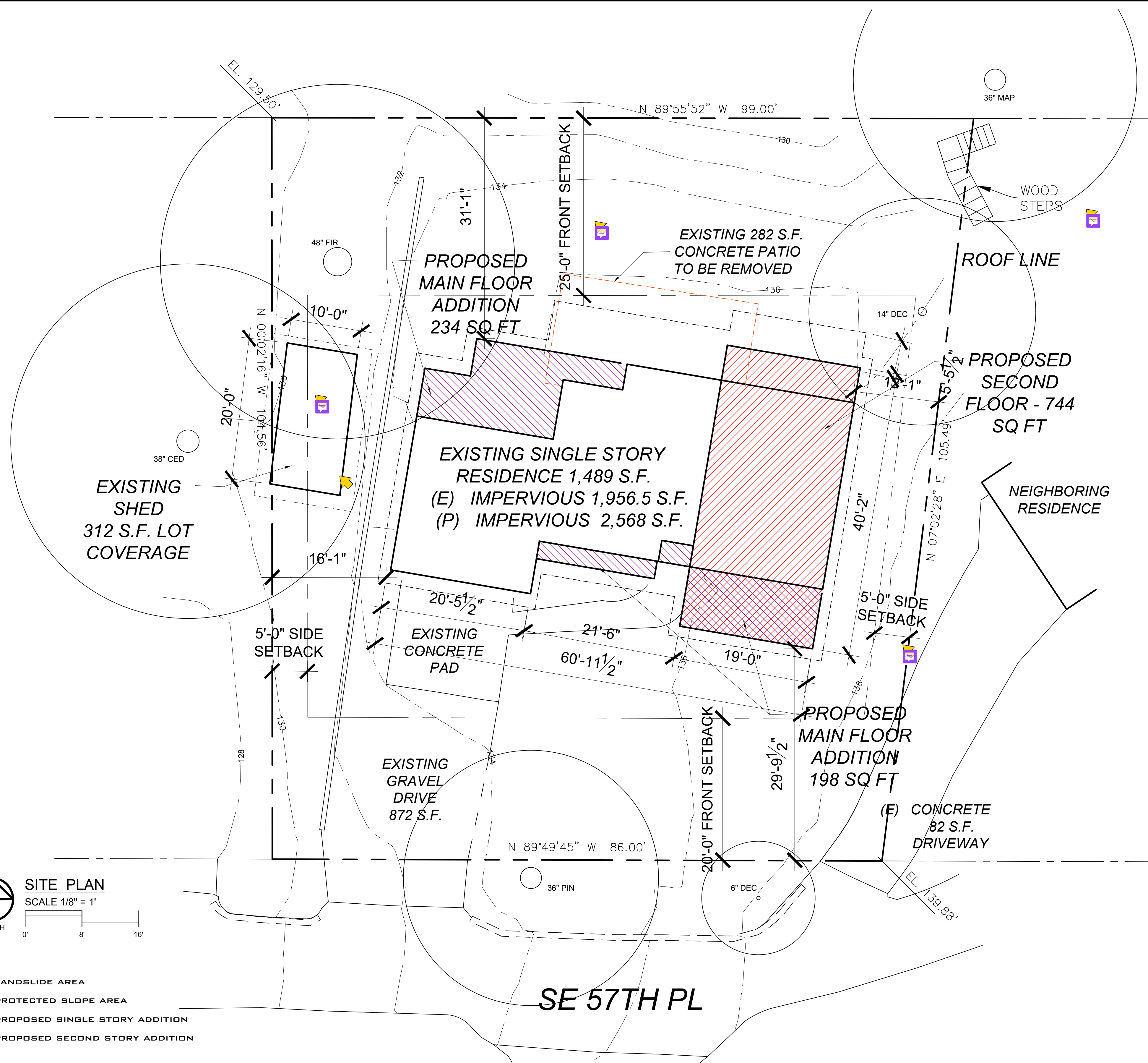
NO. XXXXXX DRN XXX GHK XXX
© 2023 PELLETIER + SCHAAR, L.L.C.

6946 REGISTERED ARCHITECT
DAVID R. PELLETIER
STATE OF WASHINGTON

GO.1
5/28/2024

GENERAL NOTES, LEGENDS & ABBREVIATIONS

RUDD: ADDITIONS AND ALTERATIONS TO EXISTING RESIDENCE



SITE ADDRESS:
8032 SE 57TH ST, MERCER ISLAND, WA 98040

LEGAL DESCRIPTION:
CHRISTIAN CHURCH CAMP ADD 11-12-13 & 21-22 & POR OF 14 & 19-20 WLY OF FOLG DESC LN BEG AT PT ON S LN OF SD 20 DIST 4 FT WLY OF SE COR OF SD 20 TH NELY TO PT ON N LN OF 14 DIST 9 FT ELY OF NWLY COR OF 14
PLAT BLOCK: 8
PLAT LOT: POR

OWNER/APPLICANT:
JEFF RUDD
8032 SE 57TH ST, MERCER ISLAND, WA 98040

PARCEL: 1574100620
LOT SIZE: 0.22 ACRES/
9,679 S.F.

ZONING: R-8.4

LOT SLOPE CALCULATIONS
HIGH POINT ELEVATION 139.88 FT
LOW POINT ELEVATION 129.50 FT
ELEVATION DIFFERENCE 10.38 FT
HORIZONTAL DIFFERENCE 135.50 FT

LOT SLOPE 8%

ALLOWABLE LOT COVERAGE
LESS THAN 15%
MAX LOT COVERAGE 40%
REQUIRED LANDSCAPING 60%

LOT COVERAGE CALCULATIONS
GROSS LOT AREA 9,679 SQ FT
NET LOT AREA 9,679 SQ FT
ALLOWED LOT COVERAGE (40%) 3,871.6 SQ FT

EXISTING LOT COVERAGE:
RESIDENCE: 1,956.5 S.F.
ACCESSORY STRUCTURE: 312 S.F.
DRIVEWAYS: 954 S.F.
PATIO: 282 S.F. - TO BE REMOVED

PROPOSED ADDED LOT COVERAGE:
RESIDENCE W/ ADDITIONS: 2,568 S.F.
ACCESSORY STRUCTURE: 312 S.F.
DRIVEWAYS: 954 S.F.

TOTAL LOT COVERAGE: 3,834 (39.6%)

FAR CALCULATIONS
LOT AREA 9,679 SQ FT
ALLOWED GFAR 40%
SITE MAX ALLOWED FAR 9,679(.4) = 3,871 SQ FT
PROPOSED GFAR 2,955 SQ FT
30%

DATE: 06/04/2024

HARDSCAPE CALCULATIONS
GROSS LOT AREA 9,678 S.F.
NET LOT AREA 9,678 S.F.
ALLOWED HARDSCAPE AREA 9% 871.11 S.F.
TOTAL EXISTING HARDSCAPE AREA 412 S.F.
TOTAL REMOVED HARDSCAPE AREA 265 S.F.
TOTAL PROJECT HARDSCAPE AREA 144 S.F. = 2%

GROSS FLOOR AREA CALCULATIONS
(E) UPPER FLOOR AREA 0 S.F.
(R) UPPER FLOOR AREA 0 S.F.
(N) UPPER FLOOR AREA 716 S.F.
TOTAL UPPER FLOOR AREA 716 S.F.

(E) MAIN FLOOR AREA 1049 S.F.
(R) MAIN FLOOR AREA 0 S.F.
(N) MAIN FLOOR AREA 468 S.F.
TOTAL MAIN FLOOR AREA 1,517 S.F.

(E) GARAGE FLOOR AREA 440 S.F.
(R) GARAGE FLOOR AREA 30 S.F.
(N) GARAGE FLOOR AREA 0 S.F.
TOTAL GARAGE FLOOR AREA 470 S.F.

(E) ACCESSORY BUILDING AREA 312 S.F.
(R) ACCESSORY BUILDING AREA 0 S.F.
(N) ACCESSORY BUILDING AREA 0 S.F.
TOTAL ACCESSORY BUILDING AREA 312 S.F.

(T) UPPER FLOOR AREA 716 S.F.
(T) MAIN FLOOR AREA 1,517 S.F.
(T) GARAGE FLOOR AREA 470 S.F.
(T) ACCESSORY BUILDING AREA 312 S.F.
TOTAL BUILDING AREA 2,955 S.F.

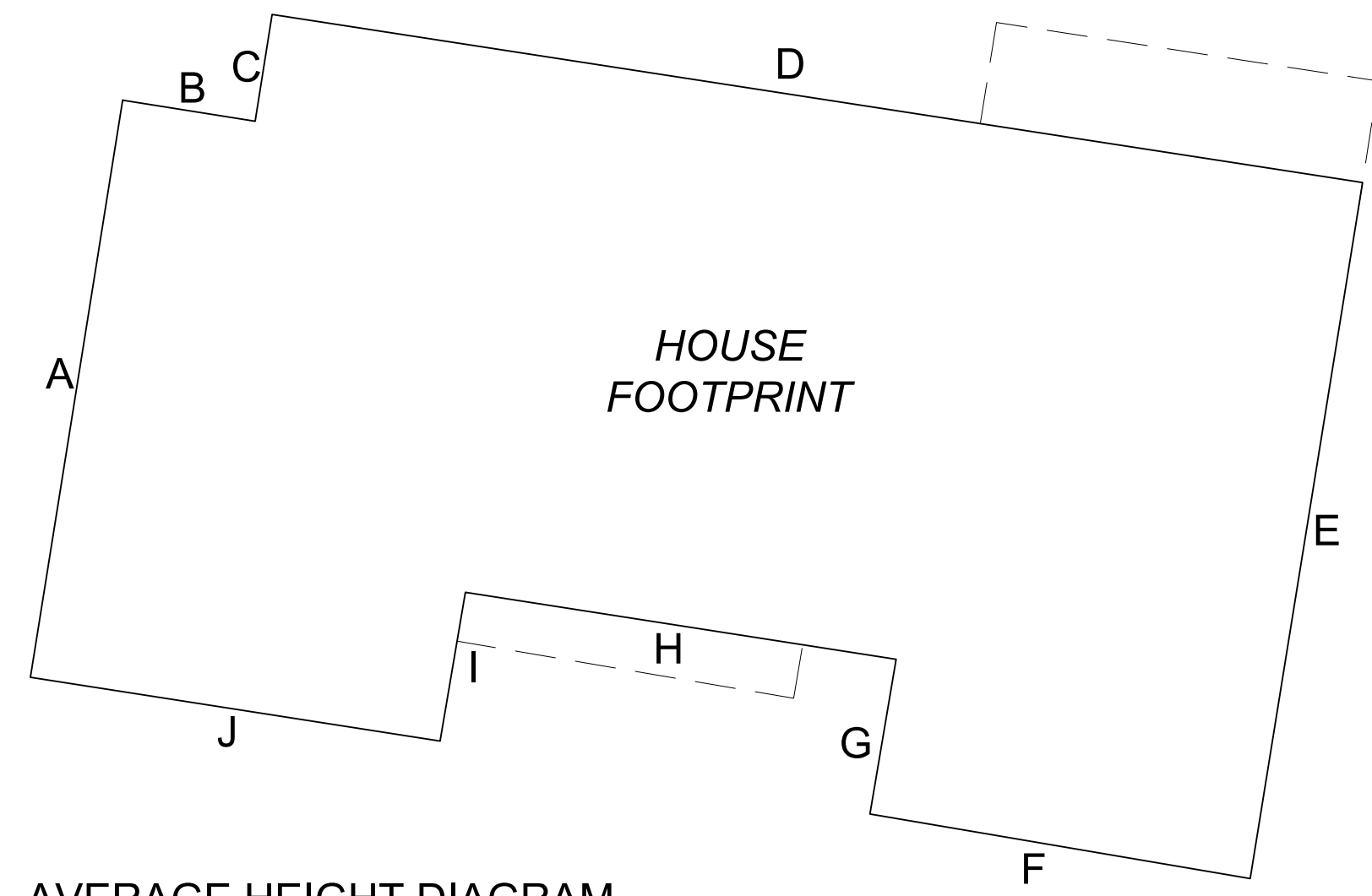
AVERAGE BUILDING ELEVATION CALCULATIONS

MIDPOINT ELEVATION	SEGMENT LENGTH
A. 134.5'	35.0'
B. 134.4'	6.5'
C. 134.4'	5.5'
D. 136.3'	54.5'
E. 137.2'	34.7'
F. 136.3'	19.0'
G. 135.7'	7.5'
H. 135.2'	21.5'
I. 135.0'	5'
J. 135.0'	20.5'

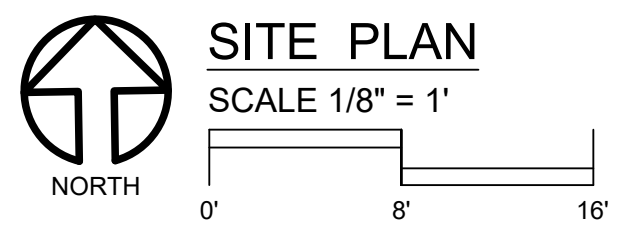
$(134.5 \times 35) + (134.4 \times 6.5) + (134.4 \times 5.5) + (136.3 \times 54.5) + (137.2 \times 34.7) + (136.3 \times 19) + (135.7 \times 7.5) + (135.2 \times 21.5) + (135 \times 5) + (135 \times 20.5) = 28,466.2$

LENGTH OF PERIMETER = 210.7
 $28,466.2 / 210.7 = 135.1$ FT

BUILDING HEIGHT CALCULATIONS
135.1 + 30 = 165.1 FT



AVERAGE HEIGHT DIAGRAM
SCALE 1/8" = 1'



- LANDSLIDE AREA
- PROTECTED SLOPE AREA
- PROPOSED SINGLE STORY ADDITION
- PROPOSED SECOND STORY ADDITION

PELLETIER + SCHAAR
Vision Based Architecture
26911 98th Dr. NW, Suite B - Stanwood, WA 98292
www.pelletierschaar.com · 360-629-5375

NO. XXXXXX DRN XXX CHK XXX
© 2023 PELLETIER + SCHAAR, L.L.C.

6946 REGISTERED ARCHITECT
DAVID R. PELLETIER
STATE OF WASHINGTON

GO.2
5/28/2024

RUDD: ADDITIONS AND ALTERATIONS TO EXISTING RESIDENCE

	TREE DRIP LINE
	EVERGREEN TREE
	DECIDUOUS TREE
	TREE TO BE REMOVED
	TREE PROTECTION FENCING MUST BE PLACED PRIOR TO CONSTRUCTION ACTIVITY
	"E" REPRESENTS EXCEPTIONAL TREES. IN EXCESS OF 24" DBH
	6"-8" DEEP MULCH
	AQUATEX NFS-1 CONTROL UNIT
	WD-1 DETECTION UNIT
	IRRIGATION DRIPLINE

TREE PROTECTION AREA (TPZ)

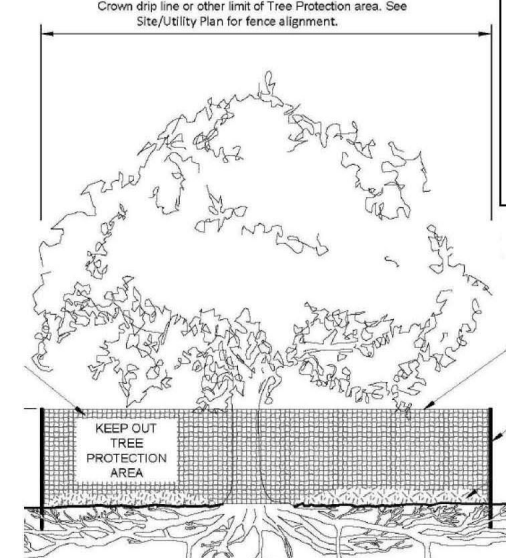
KEEP OUT!

DO NOT REMOVE OR ADJUST THE APPROVED LOCATION OF THIS TREE PROTECTION AREA

Trees enclosed by this fence are protected and are subject to the conditions of the tree permit. Violation of tree conditions may lead to:

1. Correction Notices or Stop Work Orders until compliance is achieved
2. RE Inspection Fees
3. Arborist reports recommending mitigation

- Notes**
1. No pruning shall be performed unless under the direction of an arborist
 2. No equipment shall be stored or operated inside the protective fencing including during fence installation and removal
 3. No storage of materials shall occur inside the protective fencing
 4. Refer to Site/Utility Plan for allowable modifications to the tree protection area
 5. Unauthorized activities in tree protection area may require evaluation by private arborist to identify impacts and mitigation required
 6. Exposed roots: For roots > 1" damaged during construction, make a clean straight cut to remove damaged portion and inform City Arborist



Tree protection fence: 4'-6" chain link fence, solidly anchored into the ground, or if authorized High-density polyethylene fencing with 3.5" x 1.5" openings, color orange. Steel posts installed at 8' o.c.

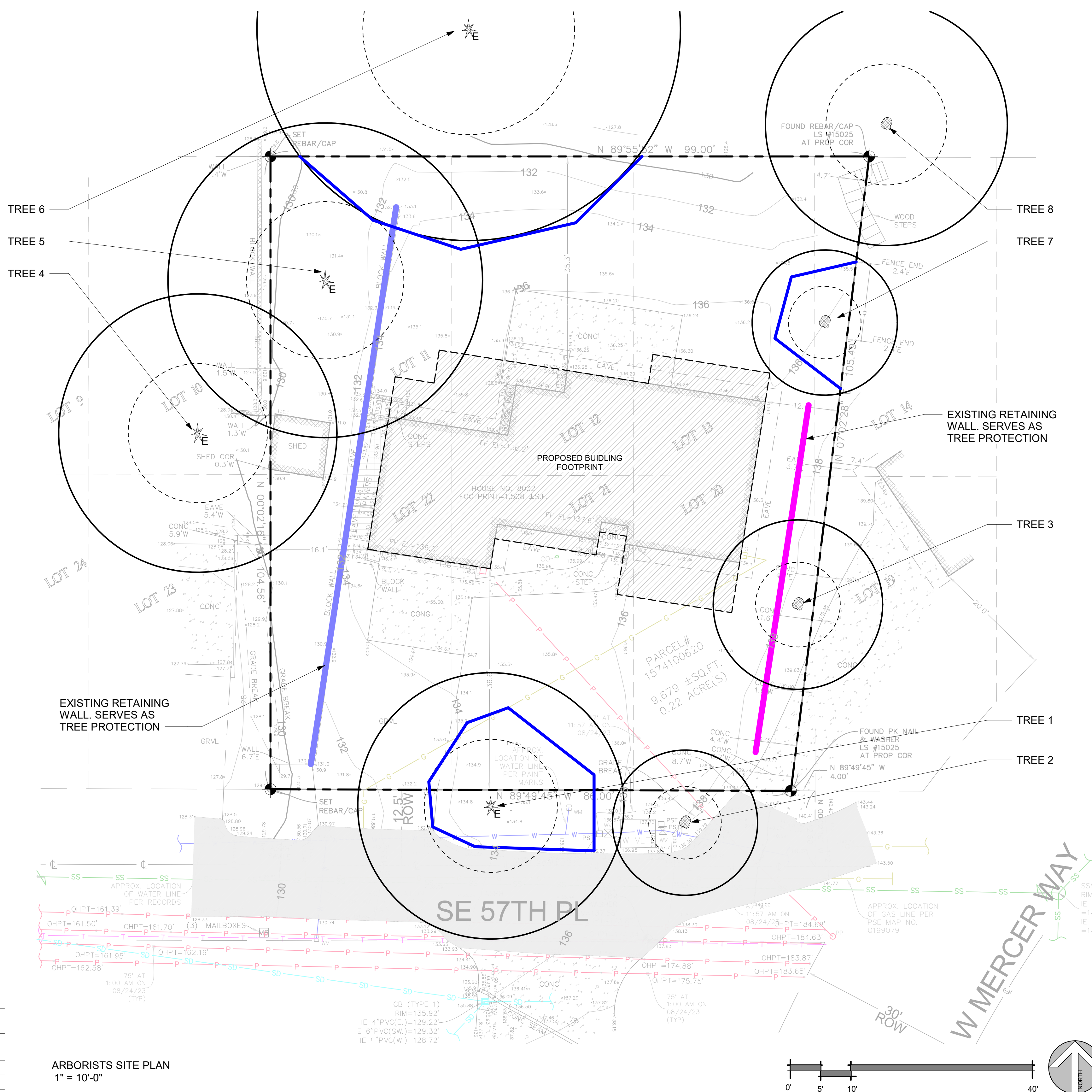
2" x 6" steel posts or approved equal

Maintain existing grade with the tree protection fence unless otherwise indication on the plans

Any Work in the protected area must be with the permission of the City Arborist john.kenney@mercerwa.gov

Tree Schedule

ID	Common Name	Scientific Name	# of Trunks	DBH/DSH	Dripline	Condition	Retain	Comments
1	SPRUCE	Picea	1	36.0"	22' - 0"	GOOD	Yes	ROW
2	CHERRY	Prunus	1	6.0"	12' - 0"	GOOD	Yes	ROW
3	COTTONWOOD	Populus deltoides	1	10.0"	14' - 0"	GOOD	Yes	
4	WESTERN RED CEDAR	Thuja plicata	1	38.0"	23' - 0"	GOOD	Yes	
5	DOUGLAS FIR	Pseudotsuga menziesii	1	48.0"	26' - 0"	GOOD	Yes	
6	BIG LEAF MAPLE	Acer macrophyllum	1	32.0"	35' - 0"	POOR	Yes	
7	MAGNOLIA	Magnolia	1	7.0"	12' - 0"	GOOD	Yes	
8	BIG LEAF MAPLE	Acer macrophyllum	1	14.0"	20' - 0"	POOR	Yes	



ARBORISTS SITE PLAN
1" = 10'-0"

PREPARED BY:
NEAL BAKER
ARBORISTS NW.COM
ISA CERT. PN1075A
TRAQ ISA (TREE RISK ASSESSMENT QUALIFIED)
MEMBER AREA & SOCA
PH: 206 779 2579

arboristsNW

Arborists NW is a full spectrum arboricultural, consulting and landscape design and installation provider. When you think tree and landscape services, think Arborists NW.

ONLINE: <https://arboristsnw.com/>
PHONE: 206-779-2579
EMAIL: neal@arboristsnw.com

No.	Description	Date

RUDD PLAN

8032 SE 57TH ST, MERCER ISLAND, WA 98040

RUDD PLAN

ARBORIST TREE PLAN

Project number 24008

Date

Drawn by CW

Checked by NB

X100

Scale As indicated

	TREE DRIP LINE
	EVERGREEN TREE
	DECIDUOUS TREE
	TREE TO BE REMOVED
	TREE PROTECTION FENCING MUST BE PLACED PRIOR TO CONSTRUCTION ACTIVITY
	"E" REPRESENTS EXCEPTIONAL TREES. IN EXCESS OF 24" DBH
	6"-8" DEEP MULCH
	AQUATEX NFS-1 CONTROL UNIT
	WD-1 DETECTION UNIT
	IRRIGATION DRIPLINE

TREE PROTECTION AREA (TPZ)

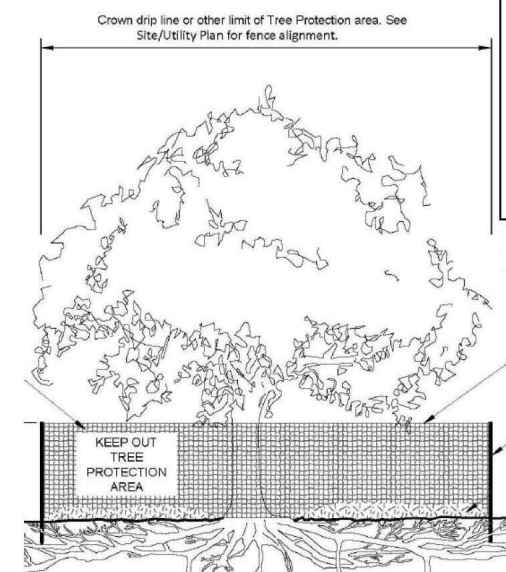
KEEP OUT!

DO NOT REMOVE OR ADJUST THE APPROVED LOCATION OF THIS TREE PROTECTION AREA

Trees enclosed by this fence are protected and are subject to the conditions of the tree permit. Violation of tree conditions may lead to:

1. Correction Notices or Stop Work Orders until compliance is achieved
2. RE Inspection Fees
3. Arborist reports recommending mitigation

- Notes**
1. No pruning shall be performed unless under the direction of an arborist
 2. No equipment shall be stored or operated inside the protective fencing including during fence installation and removal
 3. No storage of materials shall occur inside the protective fencing
 4. Refer to Site/Utility Plan for allowable modifications to the tree protection area.
 5. Unauthorized activities in tree protection area may require evaluation by private arborist to identify impacts and mitigation required
 6. Exposed roots: For roots > 1" damaged during construction, make a clean straight cut to remove damaged portion and inform City Arborist



Tree protection fence: 4'-6" chain link fence, solidly anchored into the ground, or if authorized High-density polyethylene fencing with 3.5" x 1.5" openings; color orange. Steel posts installed at 8' o.c.

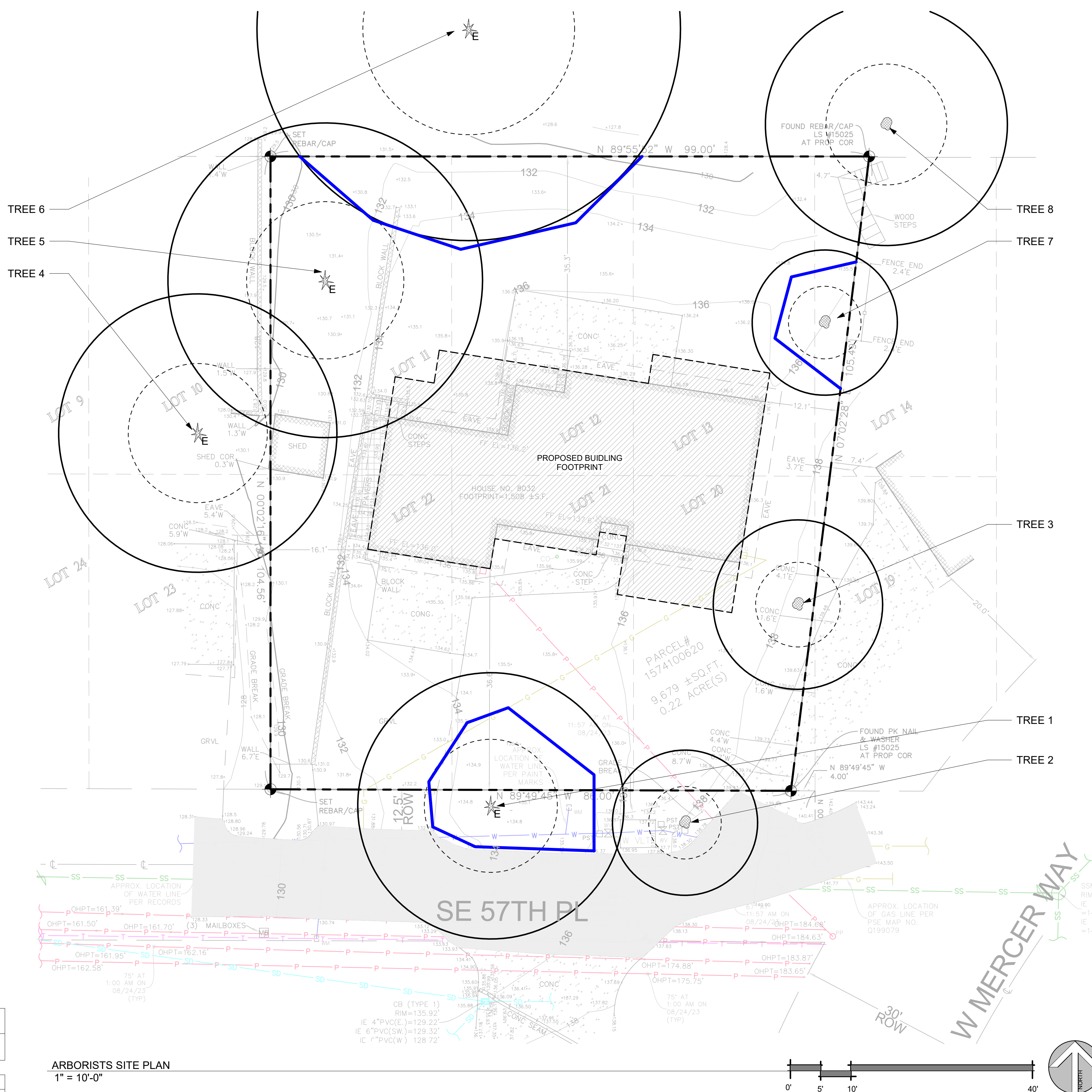
2" x 6" steel posts or approved equal

Maintain existing grade with the tree protection fence unless otherwise indication on the plans

Any Work in the protected area must be with the permission of the City Arborist john.kenney@mercera.gov

Tree Schedule

ID	Common Name	Scientific Name	# of Trunks	DBH/DSH	Dripline	Condition	Retain	Comments
1	SPRUCE	Picea	1	36.0"	22' - 0"	GOOD	Yes	ROW
2	CHERRY	Prunus	1	6.0"	12' - 0"	GOOD	Yes	ROW
3	COTTONWOOD	Populus deltoides	1	10.0"	14' - 0"	GOOD	Yes	
4	WESTERN RED CEDAR	Thuja plicata	1	38.0"	23' - 0"	GOOD	Yes	
5	DOUGLAS FIR	Pseudotsuga menziesii	1	48.0"	26' - 0"	GOOD	Yes	
6	BIG LEAF MAPLE	Acer macrophyllum	1	32.0"	35' - 0"	POOR	Yes	
7	MAGNOLIA	Magnolia	1	7.0"	12' - 0"	GOOD	Yes	
8	BIG LEAF MAPLE	Acer macrophyllum	1	14.0"	20' - 0"	GOOD	Yes	



ARBORISTS SITE PLAN
1" = 10'-0"



PREPARED BY:
NEAL BAKER
ARBORISTS NW.COM
ISA CERT. PN1075A
TRAQ ISA (TREE RISK ASSESSMENT QUALIFIED)
MEMBER AREA & SOCA
PH: 206 779 2579



Arborists NW is a full spectrum arboricultural, consulting and landscape design and installation provider. When you think tree and landscape services, think Arborists NW.

ONLINE: <https://arboristsnw.com/>
PHONE: 206-779-2579
EMAIL: neal@arboristsnw.com

No.	Description	Date

RUDD PLAN

8032 SE 57TH ST, MERCER ISLAND, WA 98040

RUDD PLAN




ARBORIST TREE PLAN

Project number	24008
Date	
Drawn by	CW
Checked by	NB

X100

Scale As indicated

PHASING LEGEND

-  EXISTING CONSTRUCTION TO REMAIN
-  ITEMS TO BE DEMOLISHED
-  NEW CONSTRUCTION

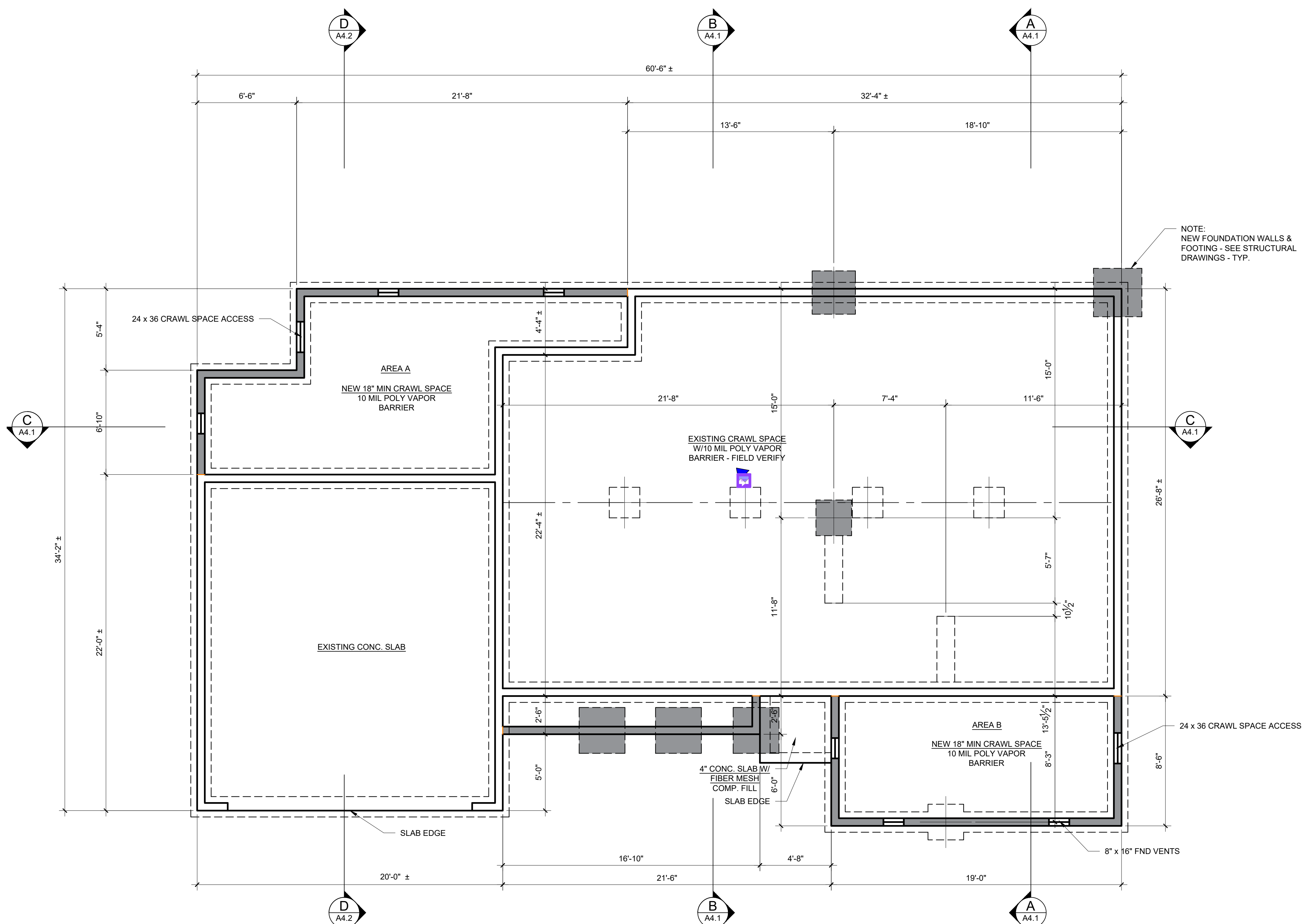
FOUNDATION NOTES:

1. CONTRACTOR SHALL VERIFY ALL NOTES, DIMENSIONS AND CONDITIONS PRIOR TO CONSTRUCTION.
2. ALL FOOTINGS TO REST ON UNDISTURBED SOIL.
3. ALL WOOD IN CONTACT WITH CONCRETE TO BE PRESSURE TREATED.
4. 1,500 PSF ASSUMED SOIL BEARING CAPACITY.
5. SEE SHEET S-2.1 FOR FOOTING SCHEDULE.

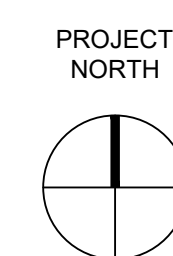
FOUNDATION VENT CALCULATIONS:

AREA A = 215 S.F.
 $215/150 = 1.4 \text{ S.F.} \times 144 = 206.4 \text{ SQ. INCHES}$
 $206.4/128 = 1.6 \text{ VENTS REQUIRED}$

AREA B = 144 S.F.
 $144/150 = .96 \text{ S.F.} \times 144 = 138.2 \text{ SQ. INCHES}$
 $138.2/128 = 1 \text{ VENT REQUIRED}$

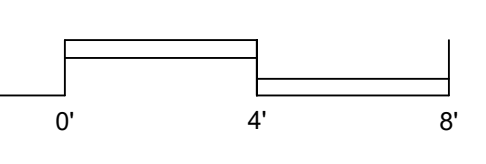


NOTES:
 ALL DIMENSIONS SHOWN ± ALIGN WITH EXISTING CONSTRUCTION AND TO BE VERIFIED IN THE FIELD.



FOUNDATION PLAN

SCALE 1/4" = 1'-0"



PELLETIER + SCHAAR
 Vision Based Architecture

26911 98th Dr. NW, Suite B · Stanwood, WA 98292
 www.pelletierschaar.com · 360-629-5375

NO. XXXXXX DRN XXX CHK XXX
 © 2023 PELLETIER + SCHAAR, L.L.C.




6946 REGISTERED ARCHITECT
 DAVID R. PELLETIER
 STATE OF WASHINGTON

A1.0
 5/28/2024

RUDD: ADDITIONS AND ALTERATIONS TO EXISTING RESIDENCE

BUILDING PERMITS - FOUNDATION PLAN

PHASING LEGEND

-  EXISTING CONSTRUCTION TO REMAIN
-  ITEMS TO BE DEMOLISHED
-  NEW CONSTRUCTION

AREA CALCULATIONS

MAIN FLOOR EXISTING	1,048 S.F.
MAIN FLOOR ADDITIONS	437 S.F.
UPPER FLOOR FINISHED	724 S.F.
TOTAL HEATED AREA	2,209 S.F.
GARAGE	440 S.F.

PLAN GENERAL NOTES

- WALLS, CEILING AND FLOOR INSULATION; AND WINDOW AND DOOR GLAZING TO BE IN ACCORDANCE 2021 WSEC. SEE SHT. A0.1.
- TEMPERED SAFETY GLAZING TO BE PROVIDED PER 2021 IRC SECTION R308.4; SEE ELEVATIONS OR WINDOW SCHEDULE FOR LOCATIONS.
- INSTALL 110V SMOKE DETECTORS, INTERCONNECT W/ BATTERY BACKUP, PER 2021 IRC WA STATE AMENDMENTS SECTION R314; SEE PLANS FOR LOCATIONS.
- INSTALL CARBON MONOXIDE DETECTORS PER 2021 IRC WA STATE AMENDMENTS SECTION R315; SEE FLOOR PLAN FOR LOCATIONS.
- INSTALL WHOLE HOUSE VENTILATION FAN PER 2021 IRC WA STATE AMENDMENTS SECTION M1507.3; SYSTEM SHALL PROVIDE MIN. CFM PER TABLE M1507.3.3(1).
- ALL EXHAUST FANS TO BE LOCATED AND SIZED PER 2021 IRC WA STATE AMENDMENTS TABLE M1507.4.
- FAN NOISE RATING TO BE 1.5 SONE OR BETTER
- PROVIDE MIN. 15" FROM CENTER OF TOILET TO ADJACENT WALL OR OTHER OBSTRUCTION AND 21" CLEARANCE DIRECTLY IN FRONT OF TOILET PER 2021 IRC SECTION R307.1.

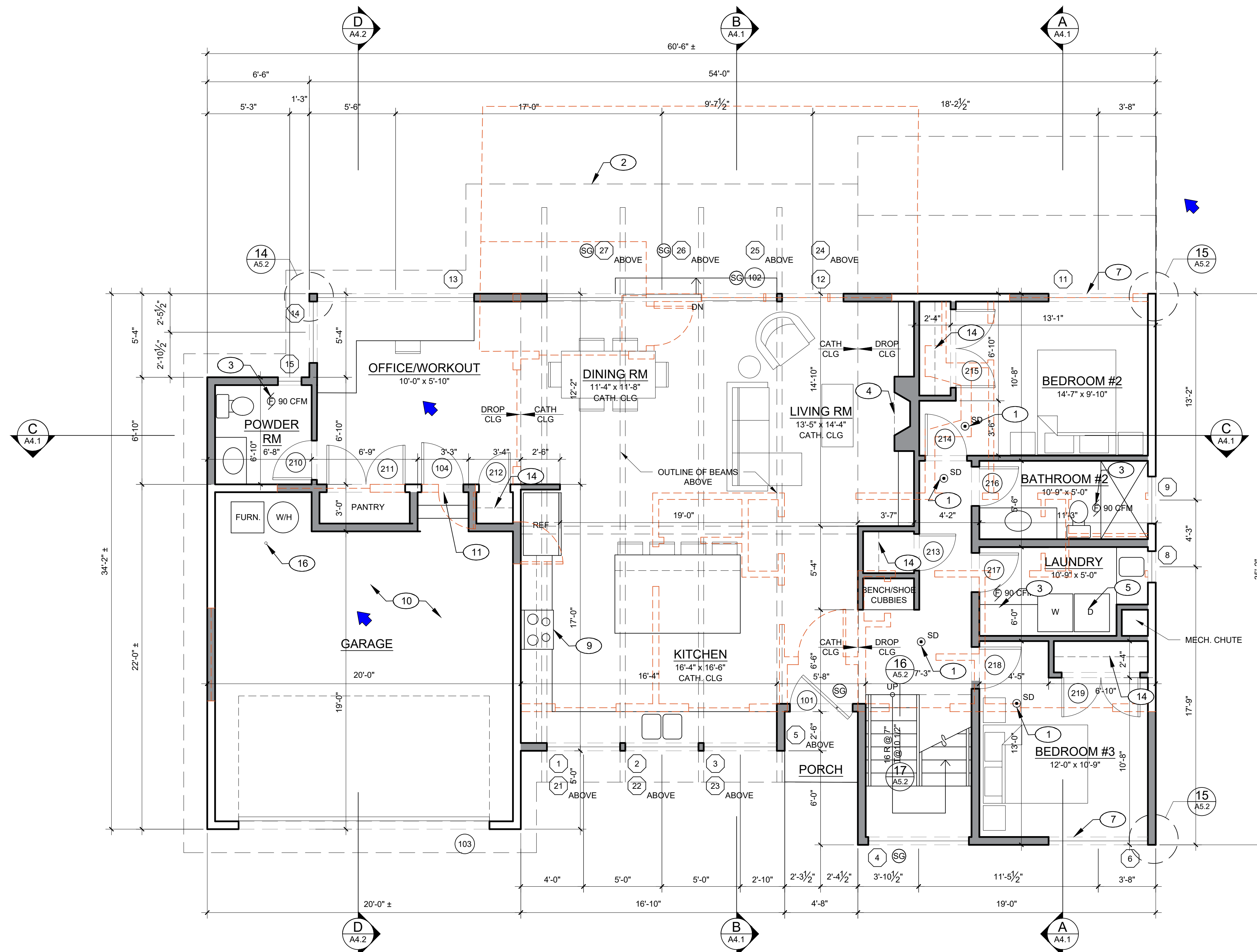
PLAN KEYNOTES

- 110V COMBINATION SMOKE & CARBON MONOXIDE DETECTOR INTERCONNECT W/ BATTERY BACKUP TYP.
- ROOF LINE ABOVE OR WALL BELOW.
- 90 CFM, I.E SONO BATH ENERGY STAR FANS WITH 4" SMOOTH DUCTING, (MIN. 90 CFM FOR CONTINUOUS OPERATING WHOLE HOUSE FAN IN ACCORDANCE WITH SEC. M1507.3.3(1))
- U.L. APPROVED PROPANE BURNING FIREPLACE
- DRYER - VENT TO OUTSIDE
- EXHAUST TERMINATION - IN ACCORDANCE WITH IRC M1507.3.4.4
- PROVIDE EMERGENCY ESCAPE OPENING IN ALL SLEEPING ROOMS MIN. 24" HIGH X 20" WIDTH AND 5.7 S.F. CLEAR OPEN AREA IN ACCORDANCE WITH IRC R310.1
- 22" X 30" ATTIC ACCESS - WITH MIN. UNOBSTRUCTED HEADROOM ABOVE HATCH OF 30"
- RANGE WITH 300 CFM HOOD
- 5/8" TYPE-X GWB ON ALL WALLS & CEILING AND AROUND ALL BEAMS AND POSTS.
- SOLID CORE DOOR W/ SELF CLOSER
- TOWEL WARMER (NOT USED)
- 5/8" TYPE X GWB UNDER STAIR
- ROD & SHELF
- 1 1/2" DIA. HANDRAIL SET 34"-36" OFF STAIR NOSING ATTACH TO SOLID BLOCKING
- 4" DIA. STEEL BOLLARD W/ IMBED IN SLAB

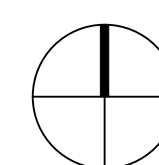
DOOR & WINDOW NOTES

- SEE SHT. A0.1 FOR 2021 WSEC REQUIREMENTS; ALL EXTERIOR DOORS AND WINDOWS SHALL COMPLY.
- SEE FLOOR PLAN FOR SLIDING / POCKET DOOR ACTIVE DOOR PANEL LOCATIONS AND DIRECTIONS.
- SEE ELEVATIONS FOR OPERABLE WINDOW SASH DIRECTIONS.
- ALIGN WINDOW AND DOORS HEADS - TYP.

NOTES:
ALL DIMENSIONS SHOWN ± ALIGN WITH EXISTING CONSTRUCTION AND TO BE VERIFIED IN THE FIELD.

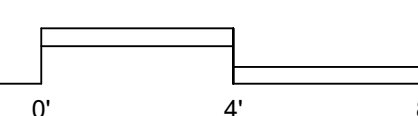


PROJECT NORTH



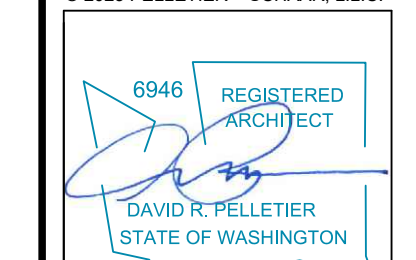
FIRST FLOOR PLAN

SCALE 1/4" = 1'-0"



PELLETIER + SCHAAR
Vision Based Architecture
26911 98th Dr. NW, Suite B · Stanwood, WA 98292
www.pelletierschaar.com · 360-629-5375

NO. XXXXXX DRN XXX, CHK XXX
© 2023 PELLETIER + SCHAAR, L.L.C.

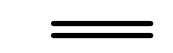




A1.1
5/28/2024

RUDD: ADDITIONS AND ALTERATIONS TO EXISTING RESIDENCE

BUILDING PERMITS - FIRST FLOOR PLAN

PHASING LEGEND

-  EXISTING CONSTRUCTION TO REMAIN
-  ITEMS TO BE DEMOLISHED
-  NEW CONSTRUCTION

AREA CALCULATIONS

MAIN FLOOR EXISTING	1,048 S.F.
MAIN FLOOR ADDITIONS	418 S.F.
UPPER FLOOR FINISHED	706 S.F.
TOTAL HEATED AREA	2,172 S.F.
GARAGE	440 S.F.

PLAN GENERAL NOTES

- WALLS, CEILING AND FLOOR INSULATION; AND WINDOW AND DOOR GLAZING TO BE IN ACCORDANCE 2021 WSEC. SEE SHT. A0.1.
- TEMPERED SAFETY GLAZING TO BE PROVIDED PER 2021 IRC SECTION R308.4; SEE ELEVATIONS OR WINDOW SCHEDULE FOR LOCATIONS.
- INSTALL 110V SMOKE DETECTORS, INTERCONNECT W/ BATTERY BACKUP, PER 2021 IRC WA STATE AMENDMENTS SECTION R314; SEE PLANS FOR LOCATIONS.
- INSTALL CARBON MONOXIDE DETECTORS PER 2021 IRC WA STATE AMENDMENTS SECTION R315; SEE FLOOR PLAN FOR LOCATIONS.
- INSTALL WHOLE HOUSE VENTILATION FAN PER 2021 IRC WA STATE AMENDMENTS SECTION M1507.3; SYSTEM SHALL PROVIDE MIN. CFM PER TABLE M1507.3.3(1).
- ALL EXHAUST FANS TO BE LOCATED AND SIZED PER 2021 IRC WA STATE AMENDMENTS TABLE M1507.4.
- FAN NOISE RATING TO BE 1.5 SONE OR BETTER
- PROVIDE MIN. 15" FROM CENTER OF TOILET TO ADJACENT WALL OR OTHER OBSTRUCTION AND 21" CLEARANCE DIRECTLY IN FRONT OF TOILET PER 2021 IRC SECTION R307.1.

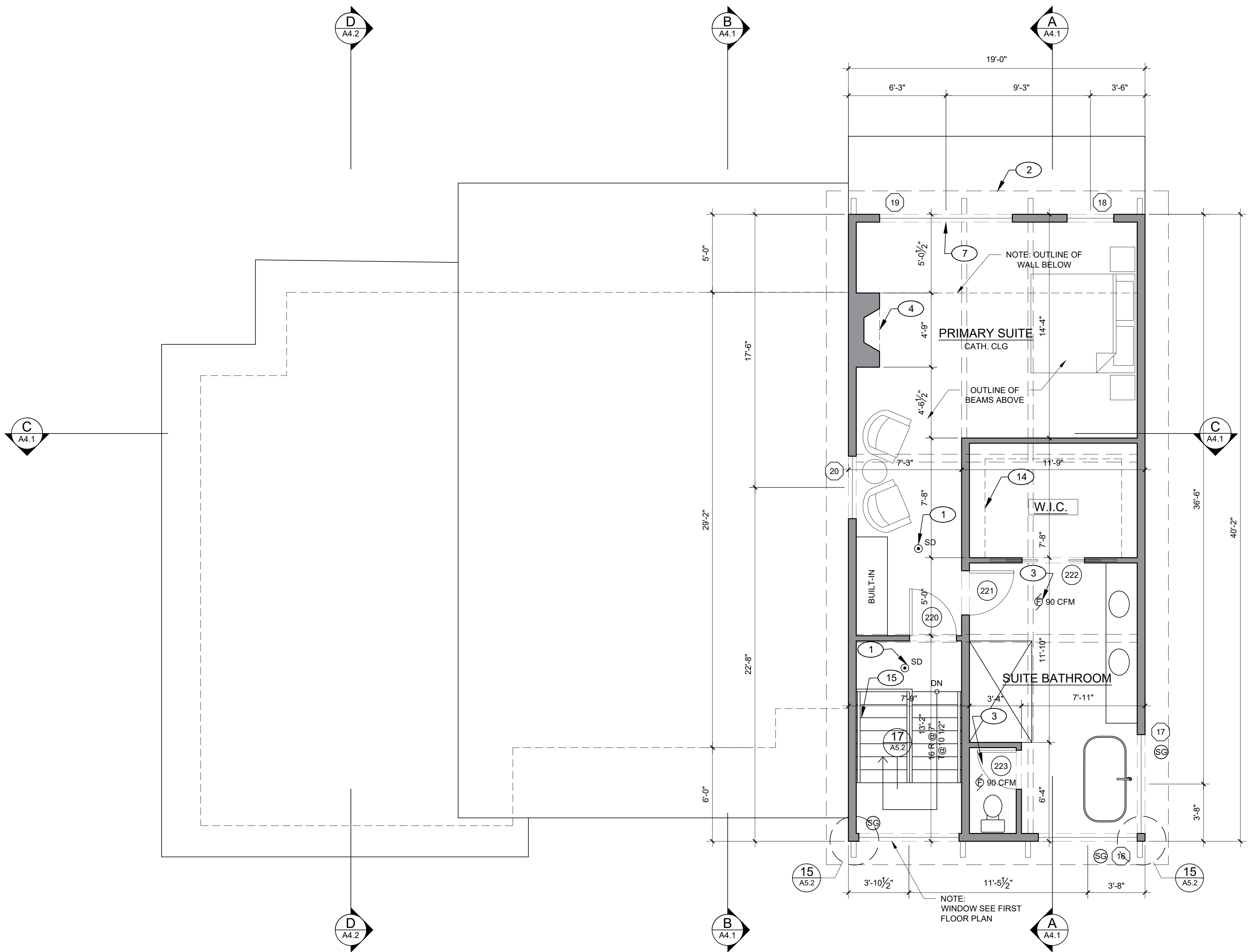
PLAN KEYNOTES

- 110V COMBINATION SMOKE & CARBON MONOXIDE DETECTOR INTERCONNECT W/ BATTERY BACKUP TYP.
- ROOF LINE ABOVE OR WALL BELOW.
- 90 CFM, I.E SONO BATH ENERGY STAR FANS WITH 4" SMOOTH DUCTING. (MIN. 90 CFM FOR CONTINUOUS OPERATING WHOLE HOUSE FAN IN ACCORDANCE WITH SEC. M1507.3.3(1))
- U.L. APPROVED PROPANE BURNING FIREPLACE
- DRYER - VENT TO OUTSIDE
- EXHAUST TERMINATION - IN ACCORDANCE WITH IRC M1507.3.4.4
- PROVIDE EMERGENCY ESCAPE OPENING IN ALL SLEEPING ROOMS MIN. 24" HIGH X 20" WIDTH AND 5.7 S.F. CLEAR OPEN AREA IN ACCORDANCE WITH IRC R310.1
- 22" X 30" ATTIC ACCESS - WITH MIN. UNOBSTRUCTED HEADROOM ABOVE HATCH OF 30"
- RANGE WITH 300 CFM HOOD
- 5/8" TYPE-X GWB ON ALL WALLS & CEILING AND AROUND ALL BEAMS AND POSTS.
- SOLID CORE DOOR W/ SELF CLOSER
- TOWEL WARMER (NOT USED)
- 5/8" TYPE X GWB UNDER STAIR
- ROD & SHELF
- 1 1/2" DIA. HANDRAIL SET 34"-36" OFF STAIR NOSING ATTACH TO SOLID BLOCKING
- 4" DIA. STEEL BOLLARD W/ IMBED IN SLAB

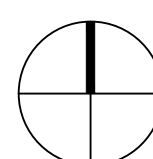
DOOR & WINDOW NOTES

- SEE SHT. A0.1 FOR 2021 WSEC REQUIREMENTS; ALL EXTERIOR DOORS AND WINDOWS SHALL COMPLY.
- SEE FLOOR PLAN FOR SLIDING / POCKET DOOR ACTIVE DOOR PANEL LOCATIONS AND DIRECTIONS.
- SEE ELEVATIONS FOR OPERABLE WINDOW SASH DIRECTIONS.
- ALIGN WINDOW AND DOORS HEADS - TYP.

NOTES:
ALL DIMENSIONS SHOWN ± ALIGN WITH EXISTING CONSTRUCTION AND TO BE VERIFIED IN THE FIELD.

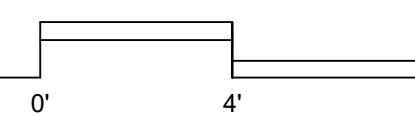


PROJECT NORTH



SECOND FLOOR PLAN

SCALE 1/4" = 1'-0"



PELLETIER + SCHAR
Vision Based Architecture

26911 98th Dr. NW, Suite B · Stanwood, WA 98292
www.pelletierschaar.com · 360-629-5375

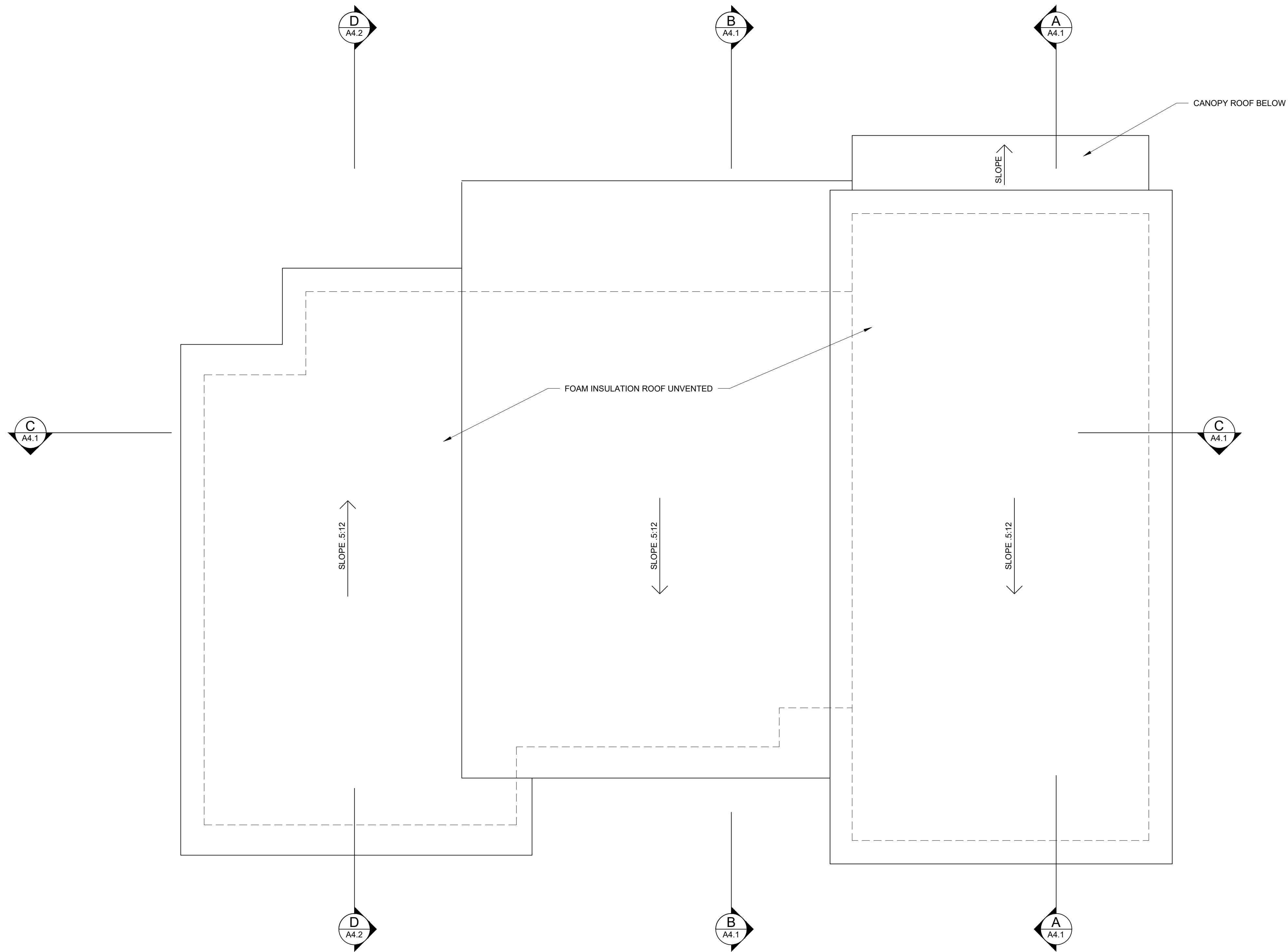
NO. XXXXXX DRN XXX CHK XXX
© 2023 PELLETIER + SCHAR, L.L.C.

6946 REGISTERED ARCHITECT
DAVID R. PELLETIER
STATE OF WASHINGTON

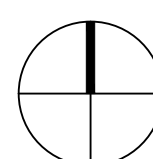
A1.2
5/28/2024

RUDD: ADDITIONS AND ALTERATIONS TO EXISTING RESIDENCE

BUILDING PERMITS - SECOND FLOOR PLAN

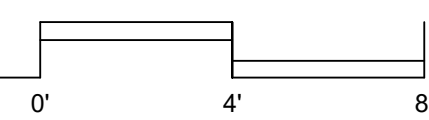


PROJECT
NORTH



ROOF PLAN

SCALE 1/4" = 1'-0"



PELLETIER + SCHAAR
 Vision Based Architecture
 26911 98th Dr. NW, Suite B · Stanwood, WA 98292
 www.pelletierschaar.com · 360-629-5375

NO. XXXXXX DRN XXX CHK XXX
 © 2023 PELLETIER + SCHAAR, L.L.C.

6946 REGISTERED ARCHITECT
 DAVID R. PELLETIER
 STATE OF WASHINGTON

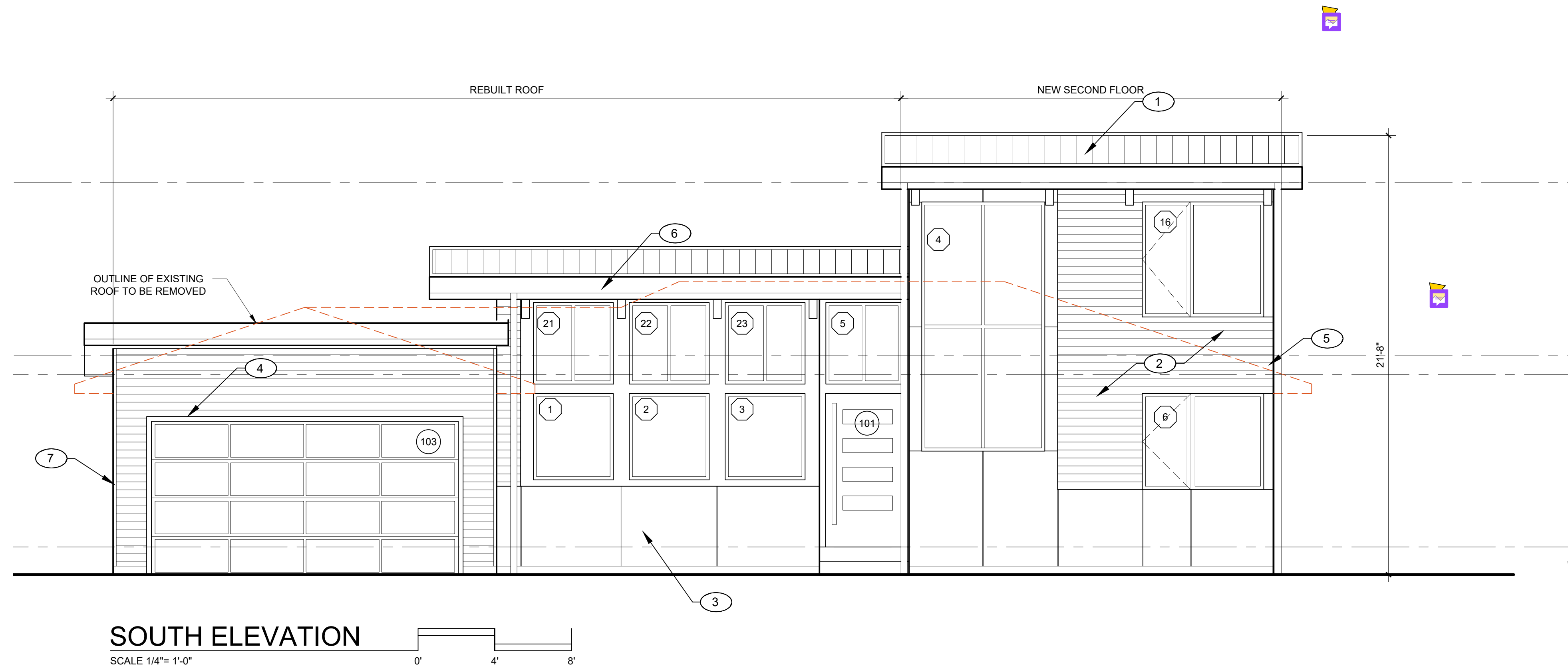
A2.1
 5/28/2024

**ELEVATION / SECTION
GENERAL NOTES**

1. ALL BUILDING ENVELOPE MATERIAL, COMPONENTS AND DETAILS TO BE INSTALLED PER INDUSTRY BEST PRACTICES AND MATERIAL MANUFACTURER'S SPECIFICATIONS, INSTRUCTIONS AND MANUALS.
2. BUILDING ENVELOPE DEFINITION TO INCLUDE EXTERIOR ROOFS, DECKS, EAVES, WALLS, DOORS AND WINDOWS; INCLUDING SIDING, TRIM, VAPOR BARRIERS AND DRAIN PLANS, FLASHING, SEALANTS, PENETRATIONS, VENTS, RAILING STANCHIONS, AND ALL OTHER STORM AND WEATHER DRAINAGE, MOISTURE AND VAPOR CONTROL SYSTEMS, DETAILS AND COMPONENTS.
3. PROVIDE TEMPERED SAFETY GLAZING PER 2018 IRC SECTION R308.4; SEE ELEVATIONS OR WINDOW SCHEDULE FOR LOCATIONS.

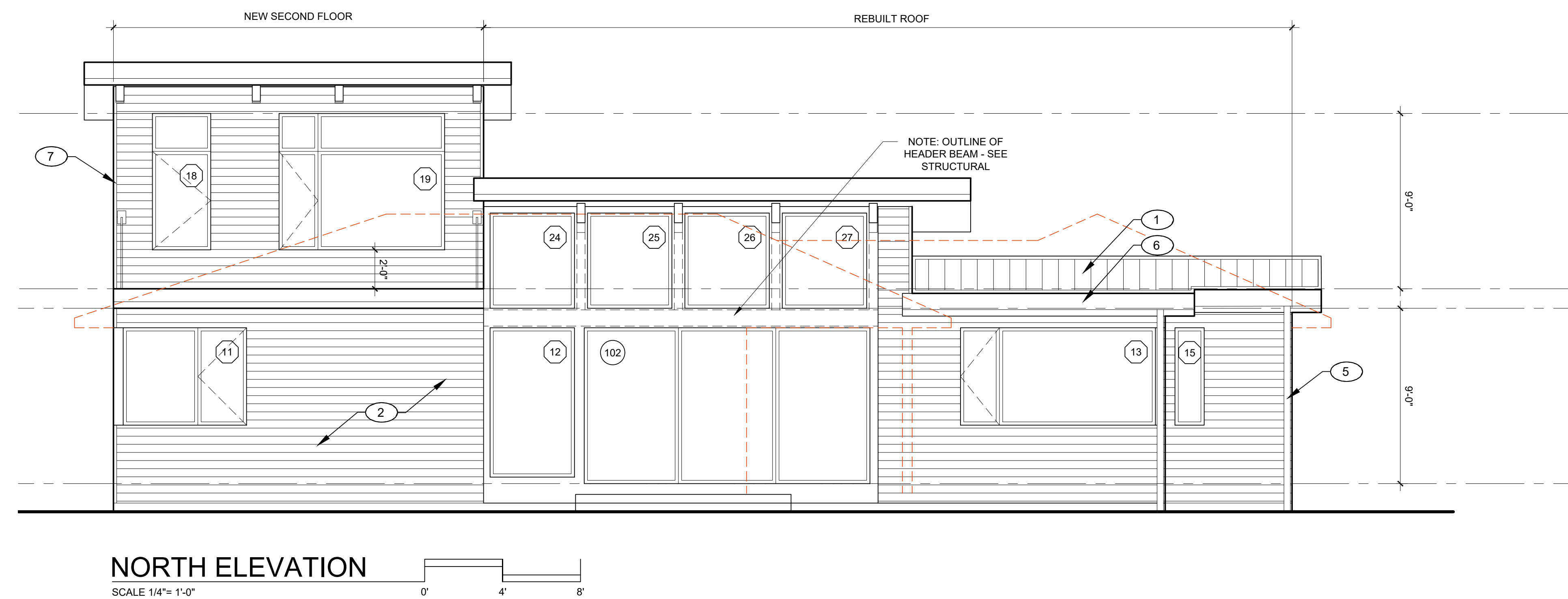
ELEVATIONS KEY NOTES:

- 1. STANDING SEAM PREFINISHED METAL ROOF
- 2. HORIZONTAL CEMENT BOARD SIDING
- 3. SMOOTH PANEL CEMENT BOARD SIDING
- 4. 5/4 PAINTED WOOD TRIM
- 5. PRE-FINISHED METAL GUTTERS AND DOWNSPOUTS (GUTTERS TO BE CONTINUOUS)
- 6. 5/4x14 CONCRETE BOARD BARGE - TYP
- 7. METAL REVEAL CORNER TRIM



SOUTH ELEVATION

SCALE 1/4"= 1'-0"



NORTH ELEVATION

SCALE 1/4"= 1'-0"

PELLETIER + SCHAAR
 Vision Based Architecture
 26911 98th Dr. NW, Suite B • Stanwood, WA 98292
 www.pelletierschaar.com • 360-629-5375

NO. XXXXXX DRN XXX CHK XXX
 © 2023 PELLETIER + SCHAAR, L.L.C.

6946 REGISTERED ARCHITECT
 DAVID R. PELLETIER
 STATE OF WASHINGTON

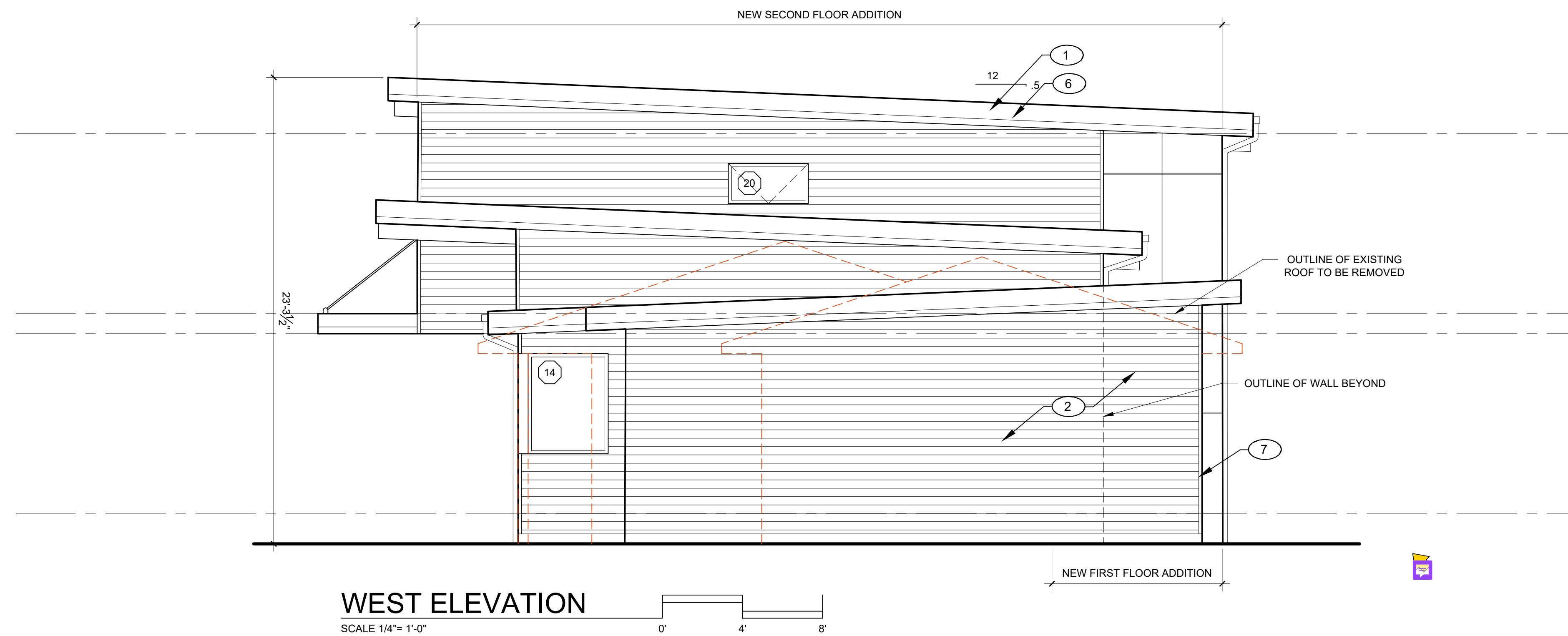
A3.1
 5/28/2024

**ELEVATION / SECTION
GENERAL NOTES**

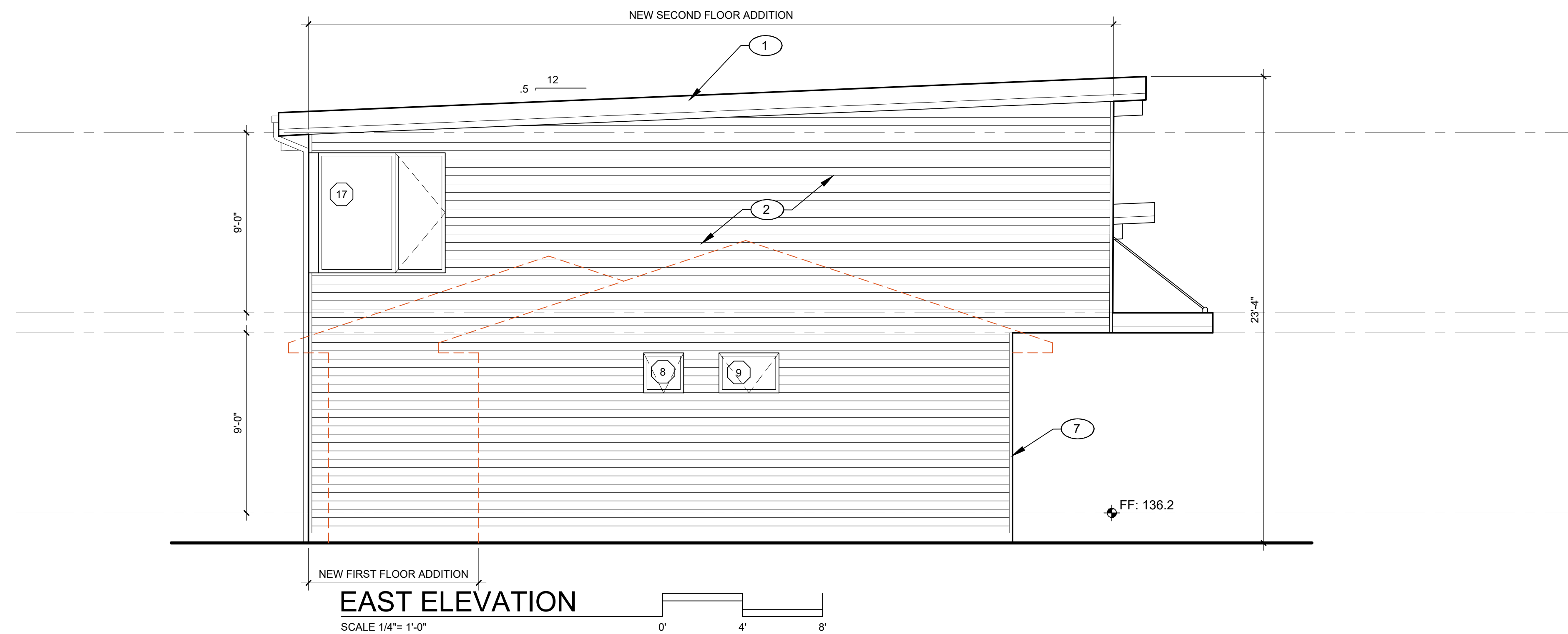
1. ALL BUILDING ENVELOPE MATERIAL, COMPONENTS AND DETAILS TO BE INSTALLED PER INDUSTRY BEST PRACTICES AND MATERIAL MANUFACTURER'S SPECIFICATIONS, INSTRUCTIONS AND MANUALS.
2. BUILDING ENVELOPE DEFINITION TO INCLUDE EXTERIOR ROOFS, DECKS, EAVES, WALLS, DOORS AND WINDOWS; INCLUDING SIDING, TRIM, VAPOR BARRIERS AND DRAIN PLANS, FLASHING, SEALANTS, PENETRATIONS, VENTS, RAILING STANCHIONS, AND ALL OTHER STORM AND WEATHER DRAINAGE, MOISTURE AND VAPOR CONTROL SYSTEMS, DETAILS AND COMPONENTS.
3. PROVIDE TEMPERED SAFETY GLAZING PER 2018 IRC SECTION R308.4; SEE ELEVATIONS OR WINDOW SCHEDULE FOR LOCATIONS.

ELEVATIONS KEY NOTES:

- | | |
|----|--|
| 1. | STANDING SEAM PREFINISHED METAL ROOF |
| 2. | HORIZONTAL CEMENT BOARD SIDING |
| 3. | SMOOTH PANEL CEMENT BOARD SIDING |
| 4. | 5/4 PAINTED WOOD TRIM |
| 5. | PRE-FINISHED METAL GUTTERS AND DOWNSPOUTS (GUTTERS TO BE CONTINUOUS) |
| 6. | 5/4x14 CONCRETE BOARD BARGE - TYP |
| 7. | METAL REVEAL CORNER TRIM |



WEST ELEVATION
SCALE 1/4" = 1'-0"



EAST ELEVATION
SCALE 1/4" = 1'-0"

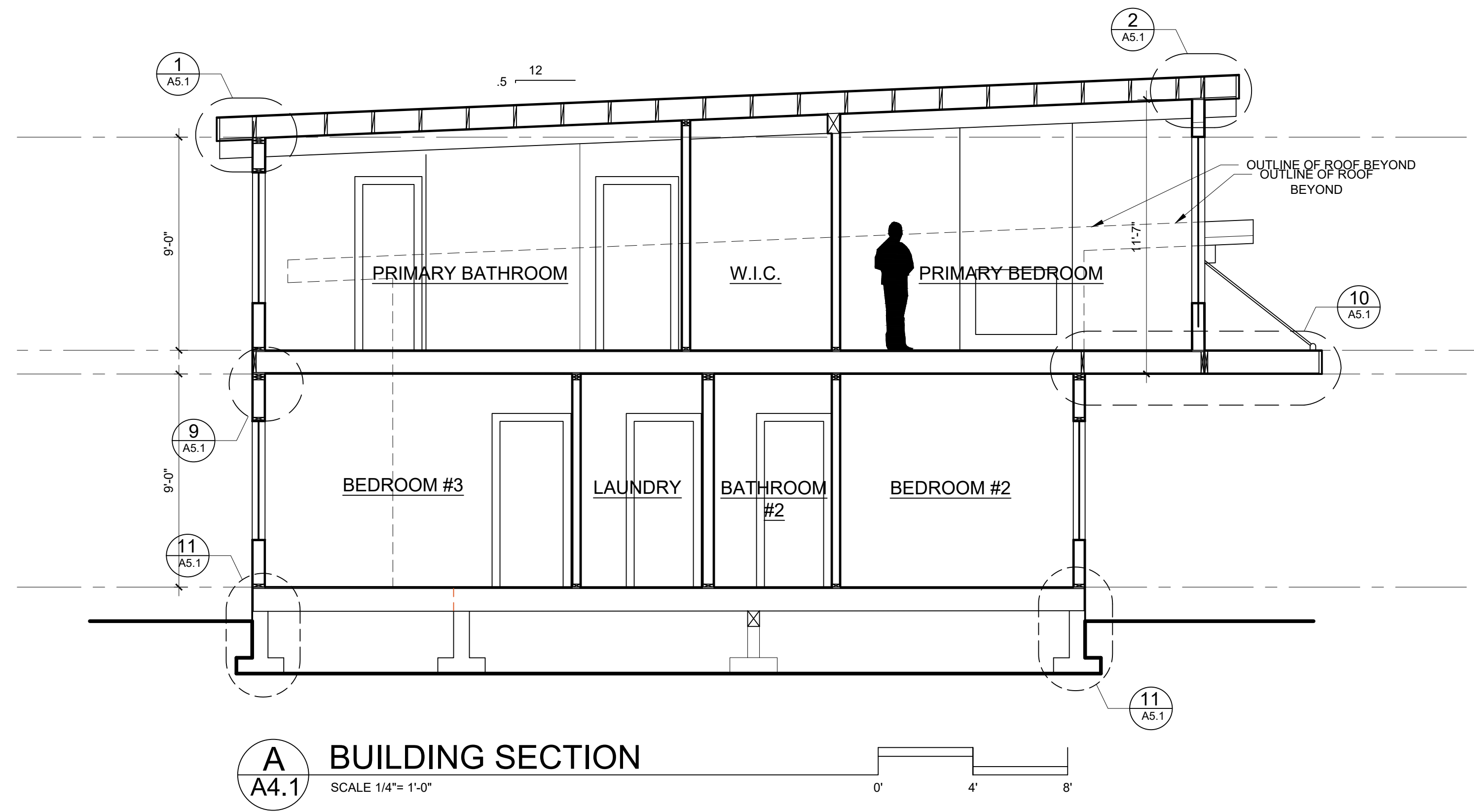
PELLETIER + SCHAAR
Vision Based Architecture

26911 98th Dr. NW, Suite B · Stanwood, WA 98292
www.pelletierschaar.com · 360-629-5375

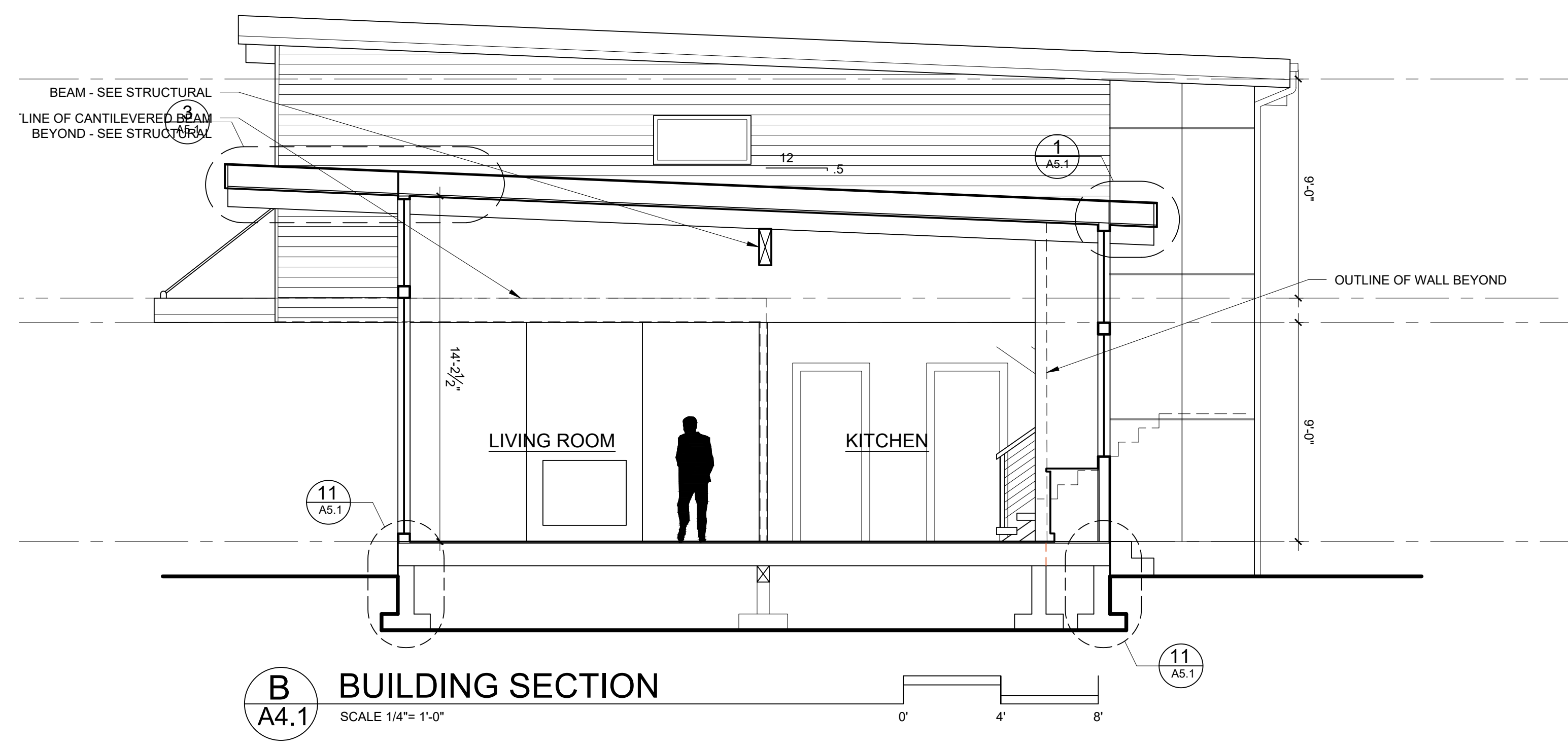
NO: XXXXXX DRN: XXX CHK: XXX
© 2023 PELLETIER + SCHAAR, L.L.C.

6946 REGISTERED ARCHITECT
DAVID R. PELLETIER
STATE OF WASHINGTON

A3.2
5/28/2024



A BUILDING SECTION
A4.1 SCALE 1/4"= 1'-0"



B BUILDING SECTION
A4.1 SCALE 1/4"= 1'-0"

PELLETIER + SCHAAR
Vision Based Architecture
26911 98th Dr. NW, Suite B · Stanwood, WA 98292
www.pelletierschaar.com · 360-629-5375

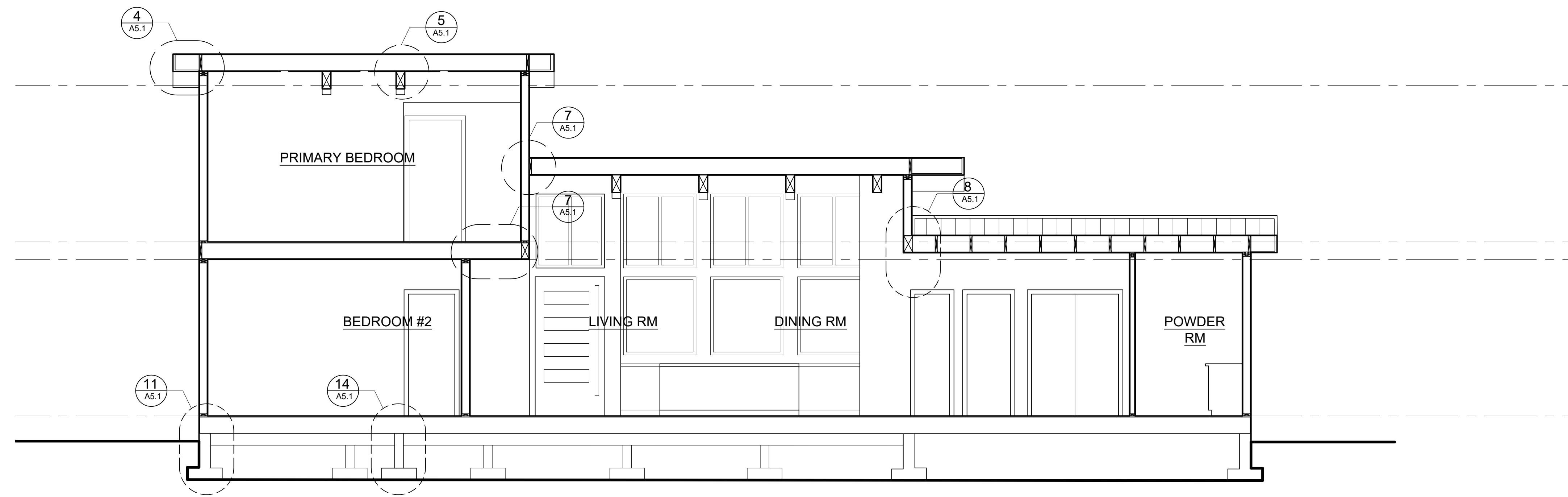
NO. XXXXXX DRN XXX CHK XXX
© 2023 PELLETIER + SCHAAR, L.L.C.

6946 REGISTERED ARCHITECT
DAVID R. PELLETIER
STATE OF WASHINGTON

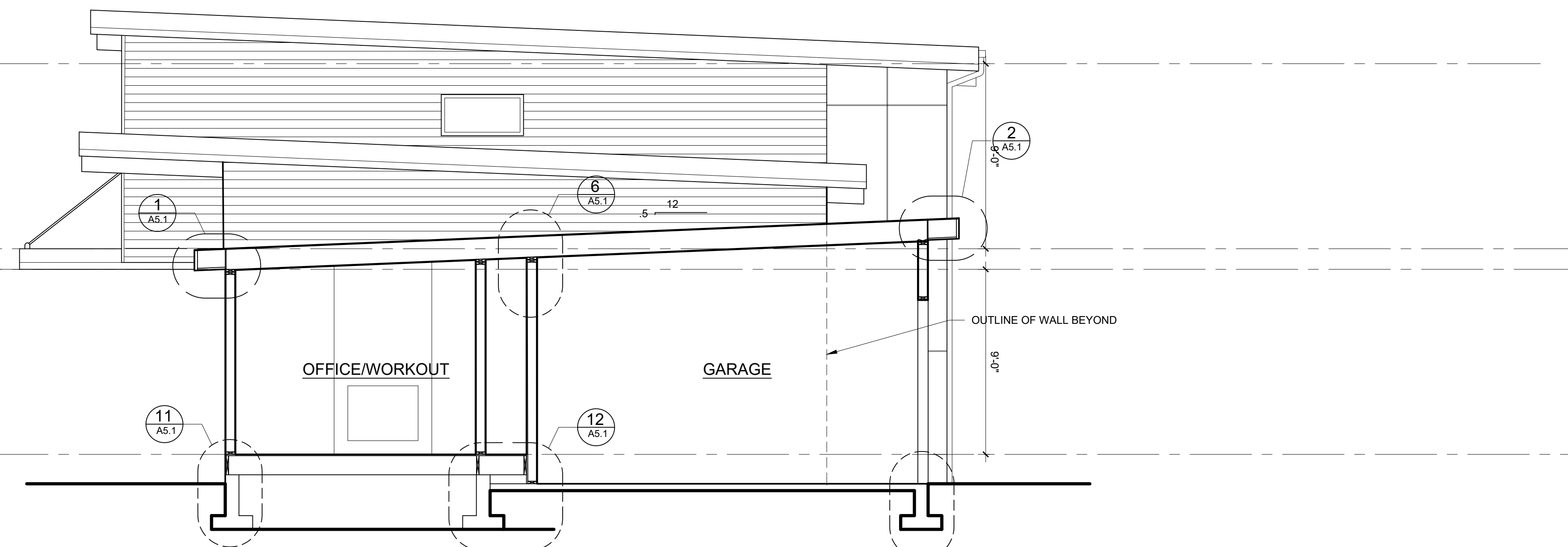
A4.1
5/28/2024

**ELEVATION / SECTION
GENERAL NOTES**

1. ALL BUILDING ENVELOPE MATERIAL, COMPONENTS AND DETAILS TO BE INSTALLED PER INDUSTRY BEST PRACTICES AND MATERIAL MANUFACTURER'S SPECIFICATIONS, INSTRUCTIONS AND MANUALS.
2. BUILDING ENVELOPE DEFINITION TO INCLUDE EXTERIOR ROOFS, DECKS, EAVES, WALLS, DOORS AND WINDOWS; INCLUDING SIDING, TRIM, VAPOR BARRIERS AND DRAIN PLANS, FLASHING, SEALANTS, PENETRATIONS, VENTS, RAILING STANCHIONS, AND ALL OTHER STORM AND WEATHER DRAINAGE, MOISTURE AND VAPOR CONTROL SYSTEMS, DETAILS AND COMPONENTS.
3. PROVIDE TEMPERED SAFETY GLAZING PER 2018 IRC SECTION R308.4; SEE ELEVATIONS OR WINDOW SCHEDULE FOR LOCATIONS.



C BUILDING SECTION
A4.2 SCALE 1/4" = 1'-0"
0' 4' 8'



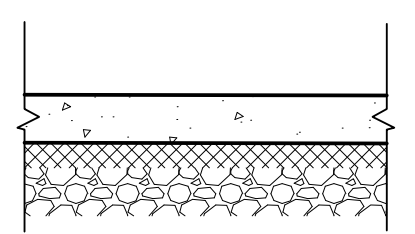
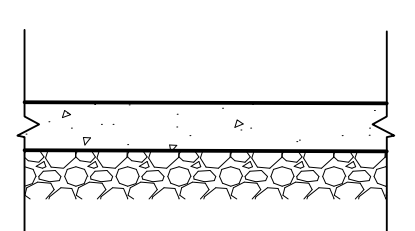
D BUILDING SECTION
A4.2 SCALE 1/4" = 1'-0"
0' 4' 8'

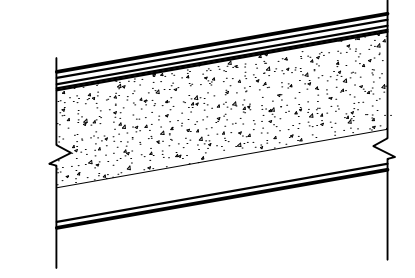
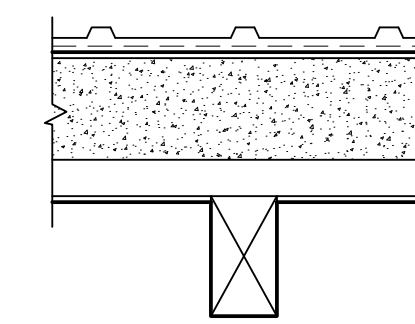
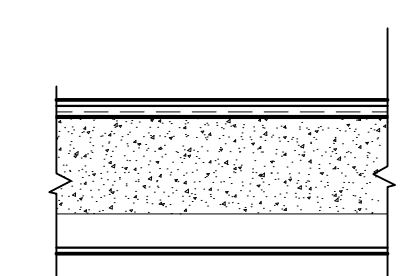
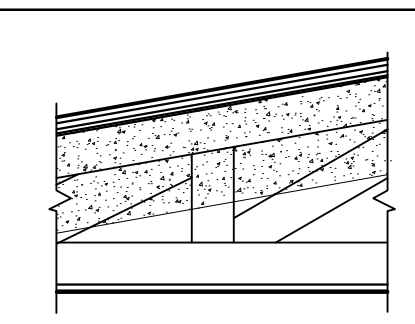
PELLETIER + SCHAAR
Vision Based Architecture
26911 98th Dr. NW, Suite B · Stanwood, WA 98292
www.pelletierschaar.com · 360-629-5375

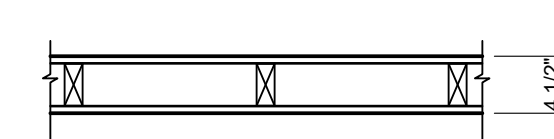
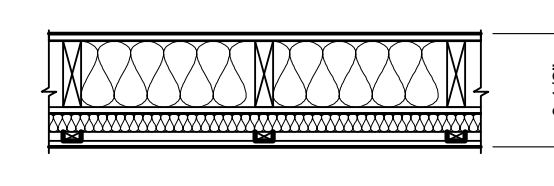
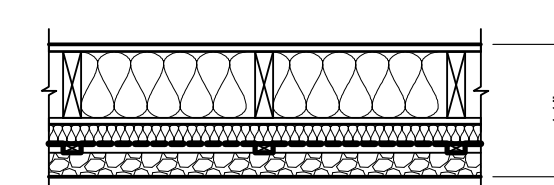
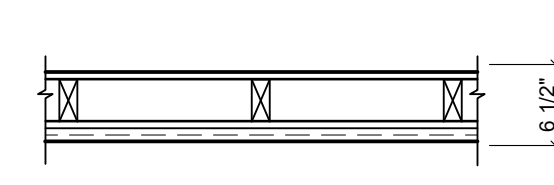
NO: XXXXXX DRN: XXX CHK: XXX
© 2023 PELLETIER + SCHAAR, L.L.C.

6946 REGISTERED ARCHITECT
DAVID R. PELLETIER
STATE OF WASHINGTON

A4.2
5/28/2024

FLOOR/CEILING ASSEMBLIES			RATINGS		
FLOOR TYPE	ASSEMBLY DESCRIPTION	FIRE	SOUND	THERMAL	
F1	 <ul style="list-style-type: none"> - 4" CONCRETE SLAB - 6 MIL VAPOR BARRIER - 2" RIGID INSULATION - COMPOSITION FILL 				
F2	 <ul style="list-style-type: none"> - 4" CONCRETE SLAB - 6 MIL VAPOR BARRIER - COMPOSITION FILL 				

ROOF ASSEMBLIES			RATINGS		
ROOF TYPE	ASSEMBLY DESCRIPTION	FIRE	SOUND	THERMAL	
R1	 <ul style="list-style-type: none"> - STANDING SEAM METAL ROOFING - UNDERLAYMENT - VAPOR BARRIER - PLYWOOD (PER STRUCTURAL) - RAFTERS (PER STRUCTURAL) - R60 (8.5" MIN) FOAM INSULATION TIGHT TO UNDERSIDE OF SHEATHING - 1/2" GWB CEILING 			R-60	
R2	 <ul style="list-style-type: none"> - STANDING SEAM METAL ROOFING - UNDERLAYMENT - SHEATHING (PER STRUCTURAL) - RAFTERS (PER STRUCTURAL) - R60 (8.5" MIN) FOAM INSULATION TIGHT TO UNDERSIDE OF SHEATHING - 1/2" GWB CEILING - BEAMS (PER STRUCTURAL) 			R-60	
R3	 <ul style="list-style-type: none"> - STANDING SEAM METAL ROOFING - UNDERLAYMENT - VAPOR BARRIER - PLYWOOD (PER STRUCTURAL) - RAFTERS (PER STRUCTURAL) - R60 (8.5" MIN) FOAM INSULATION TIGHT TO UNDERSIDE OF SHEATHING - 1/2" GWB CEILING 				
R4	 <ul style="list-style-type: none"> - STANDING SEAM METAL ROOFING - UNDERLAYMENT - VAPOR BARRIER - PLYWOOD (PER STRUCTURAL) - SLOPED TOP CHORD ROOF TRUSSES (PER STRUCTURAL) - R60 (8.5" MIN) FOAM INSULATION TIGHT TO UNDERSIDE OF SHEATHING - 1/2" GWB CEILING 				

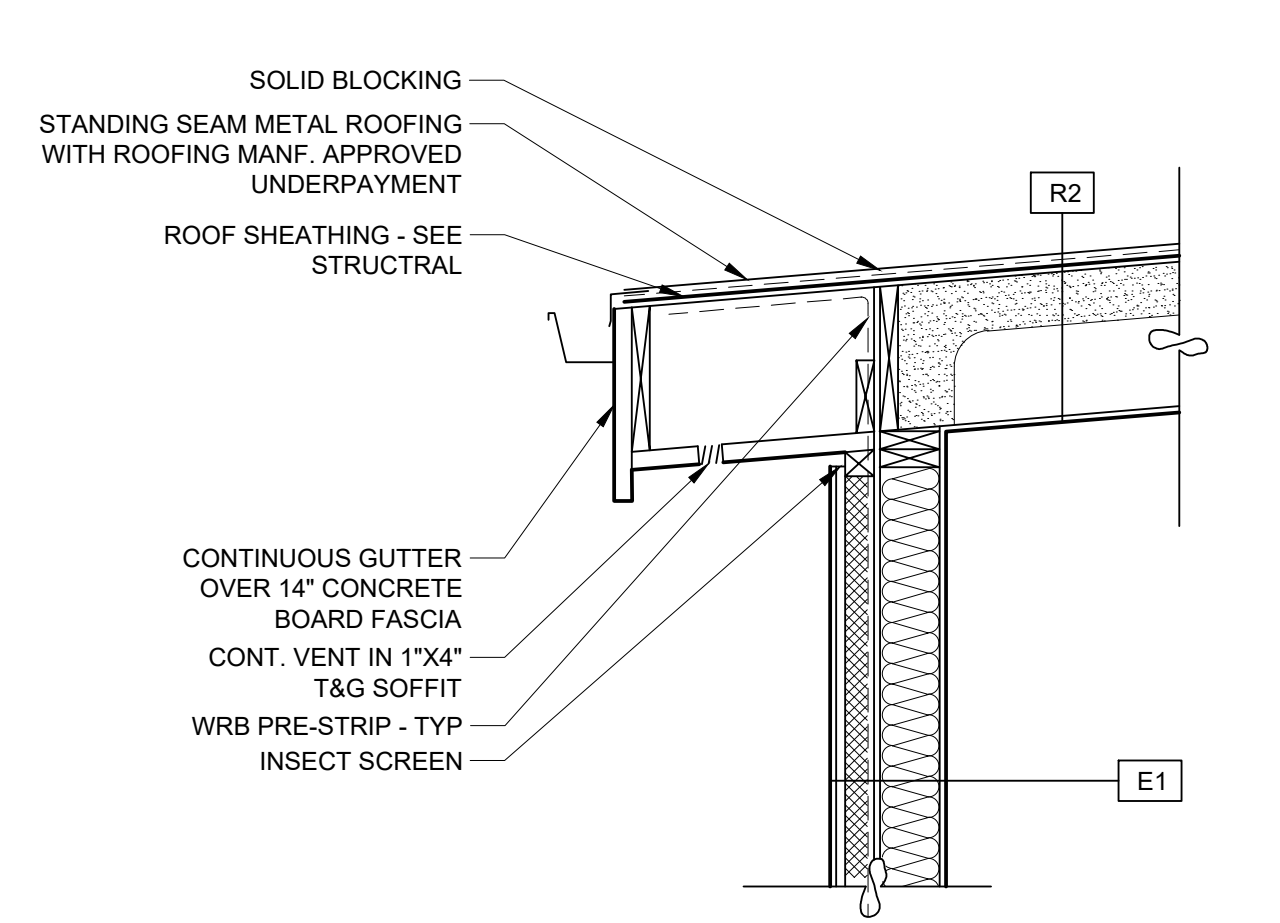
WALL ASSEMBLIES			RATINGS		
WALL TYPE	ASSEMBLY DESCRIPTION	FIRE	SOUND	THERMAL	
W1	 <ul style="list-style-type: none"> - 1/2" G.W.B. - 2X4 STUDS @ 16" O.C. - 1/2" G.W.B. <p>NOTE: USE 3 1/2" ACOUSTIC INSULATION AROUND BATHS</p>				
E1	 <ul style="list-style-type: none"> - 1/2" G.W.B. - R-20 FIBERGLASS BATT INSULATION - 2X6 STUDS (PER STRUCTURAL) - 1/2" PLYWOOD SHEATHING PER STRUCT - WRB - 1 1/2" (R5) ROCK WOOL CONT. INSUL. - FURRING STRIPS @ 16" O.C. - CEMENT BOARD SIDING 			R-20 + R-5	
E2	 <ul style="list-style-type: none"> - 1/2" G.W.B. - R-20 FIBERGLASS BATT INSULATION - 2X6 STUDS (PER STRUCTURAL) - 1/2" PLYWOOD SHEATHING PER STRUCT - WRB - 1 1/2" (R5) ROCK WOOL CONT. INSUL. - FURRING STRIPS @ 16" O.C. - STONE VENEER 			R-20 + R-5	
E3	 <ul style="list-style-type: none"> - 5/8" TYPE-X G.W.B. - 2X6 STUDS (PER STRUCTURAL) - 1/2" PLYWOOD SHEATHING PER STRUCT - WRB - SIDING (PER ELEVATION) 				

PELLETIER + SCHAAR
 Vision Based Architecture
 26911 98th Dr. NW, Suite B · Stanwood, WA 98292
 www.pelletierschaar.com · 360-629-5375

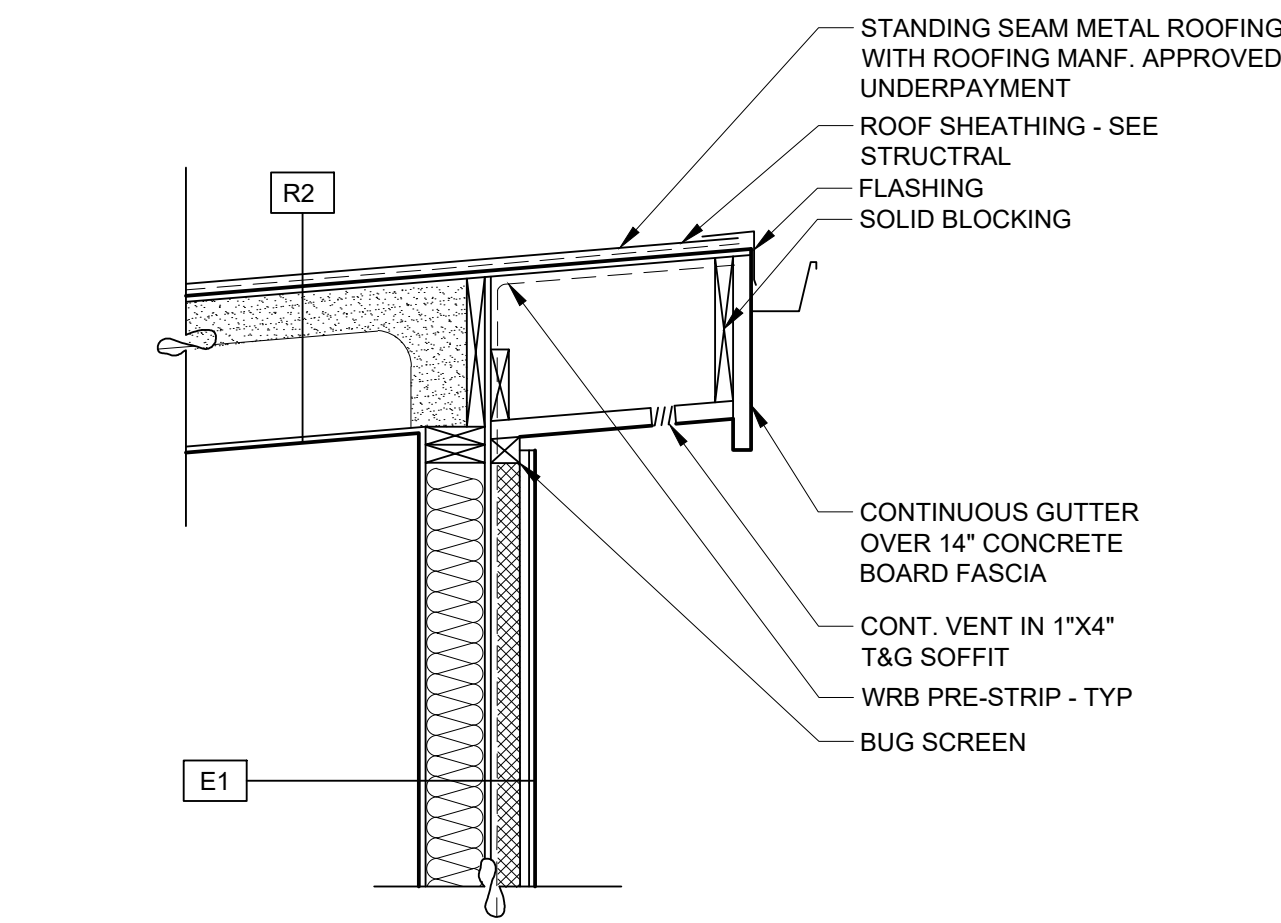
NO. XXXXXX DRN XXX CHK XXX
 © 2023 PELLETIER + SCHAAR, L.L.C.

6946 REGISTERED ARCHITECT
 DAVID R. PELLETIER
 STATE OF WASHINGTON

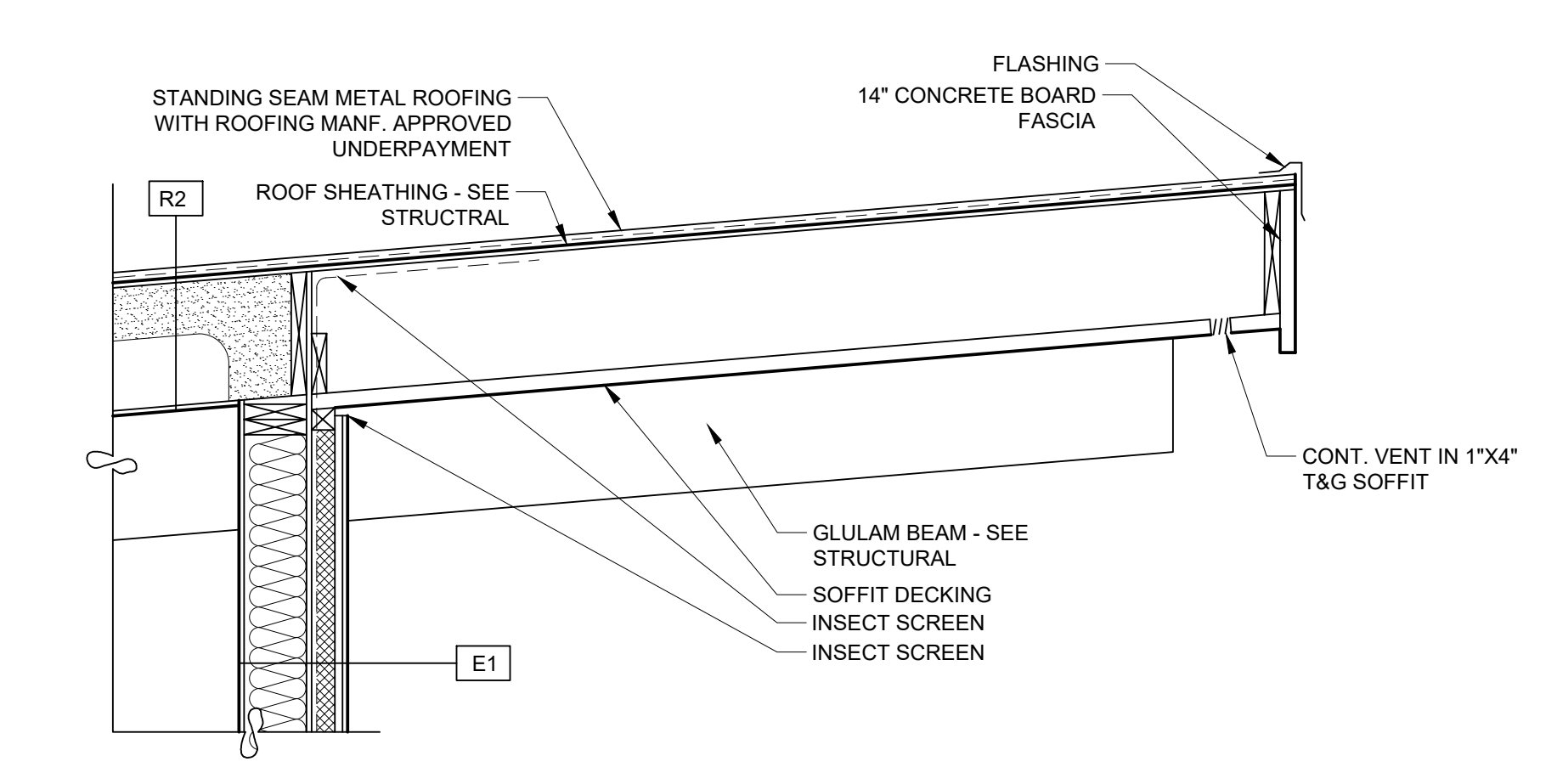
A5.1
 5/28/2024



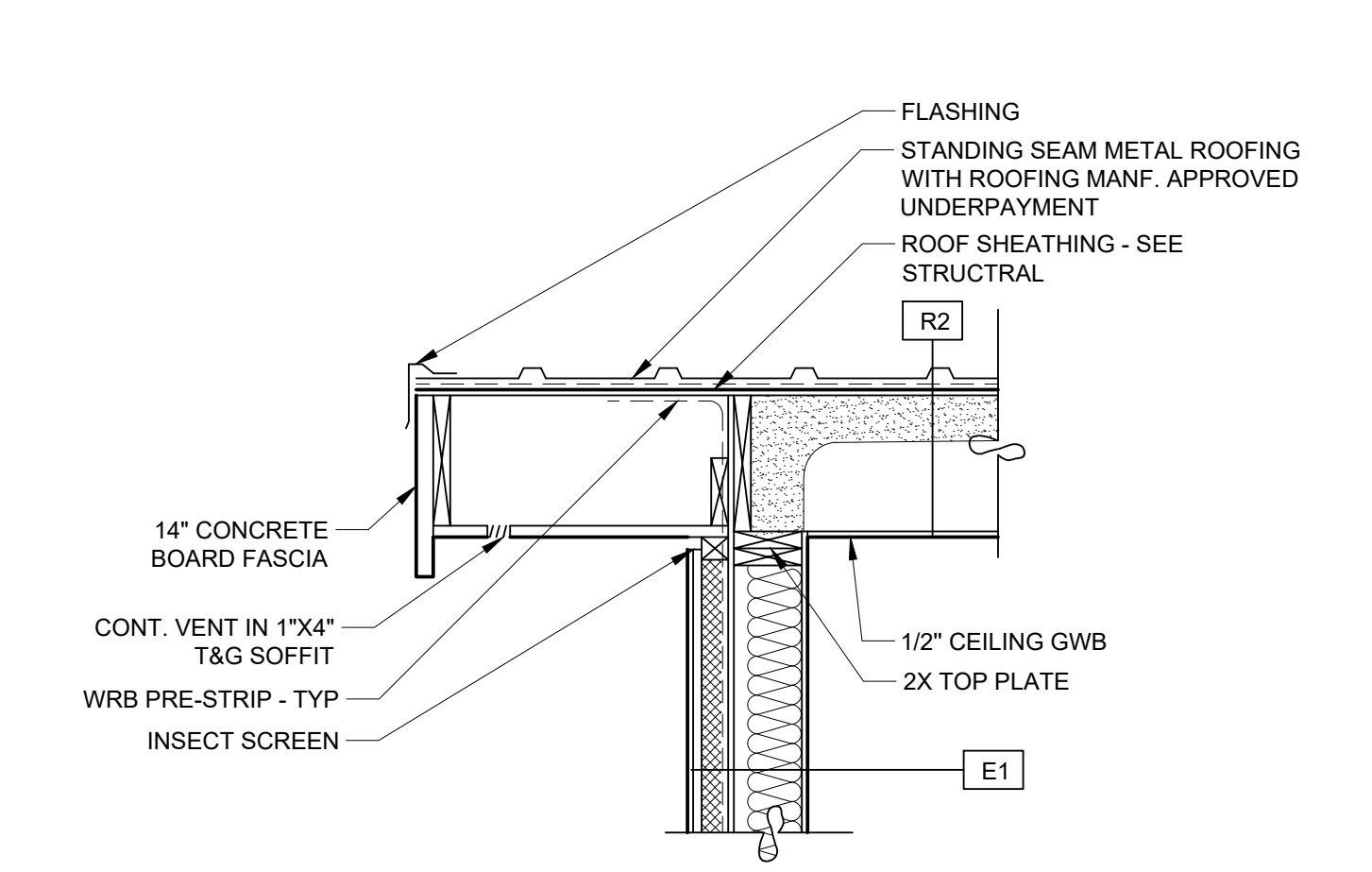
EAVE DETAIL - TYP
SCALE: 3/4" = 1'-0"



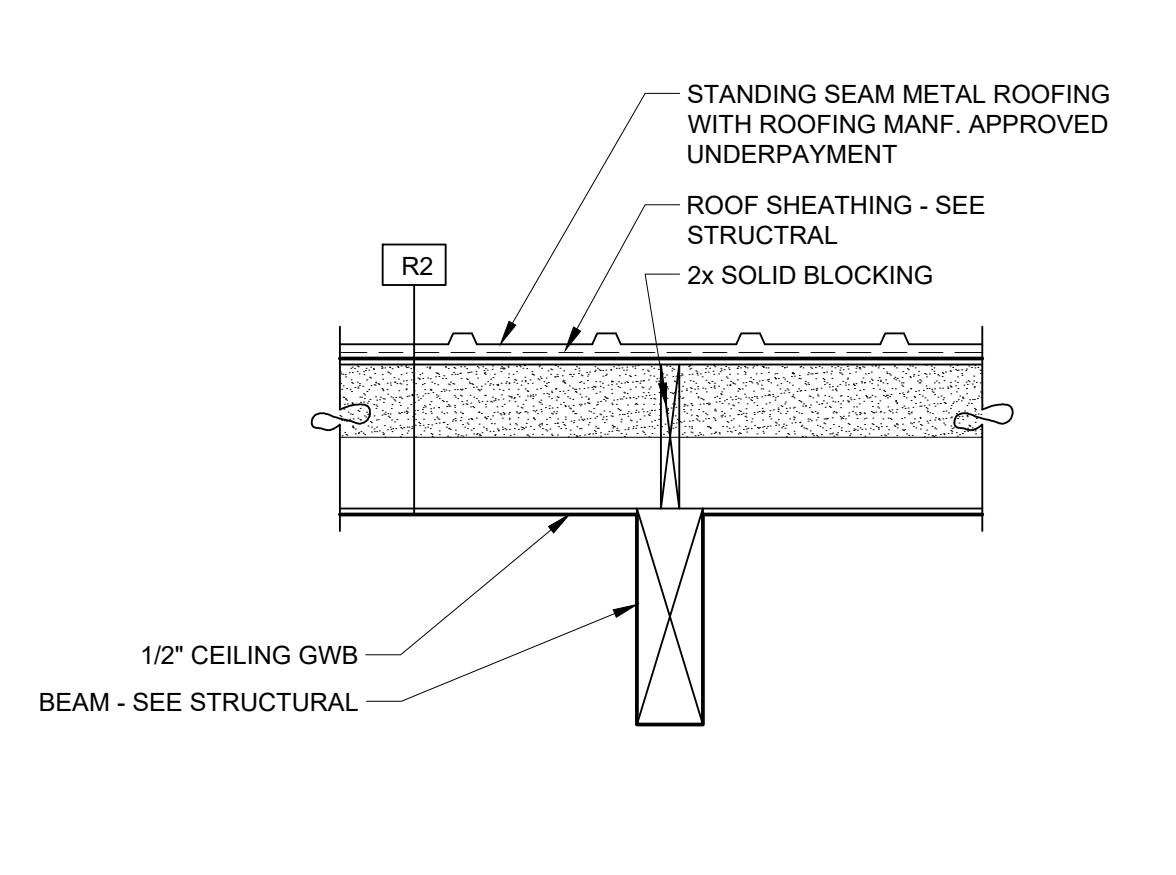
EAVE DETAIL - TYP
SCALE: 3/4" = 1'-0"



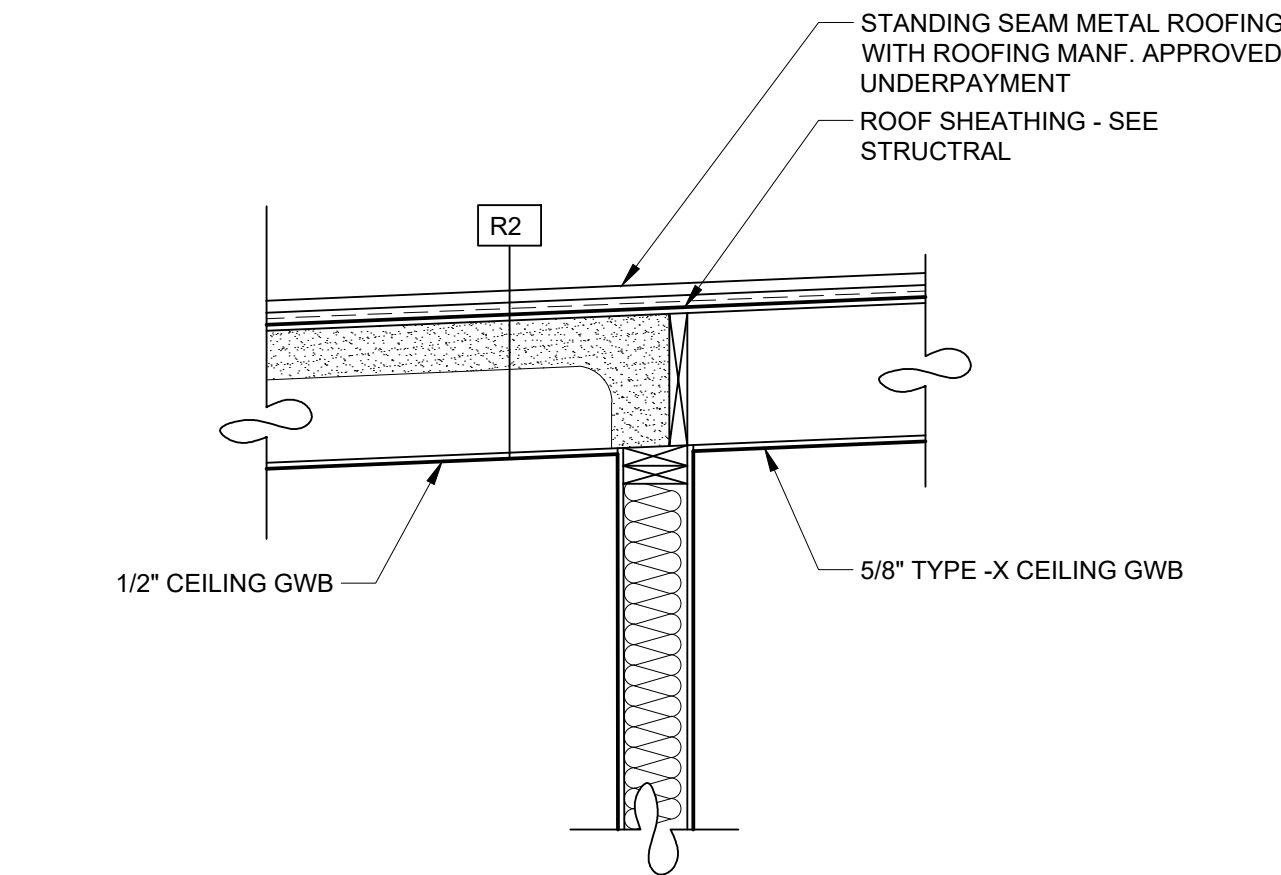
OVERHANG DETAIL
SCALE: 3/4" = 1'-0"



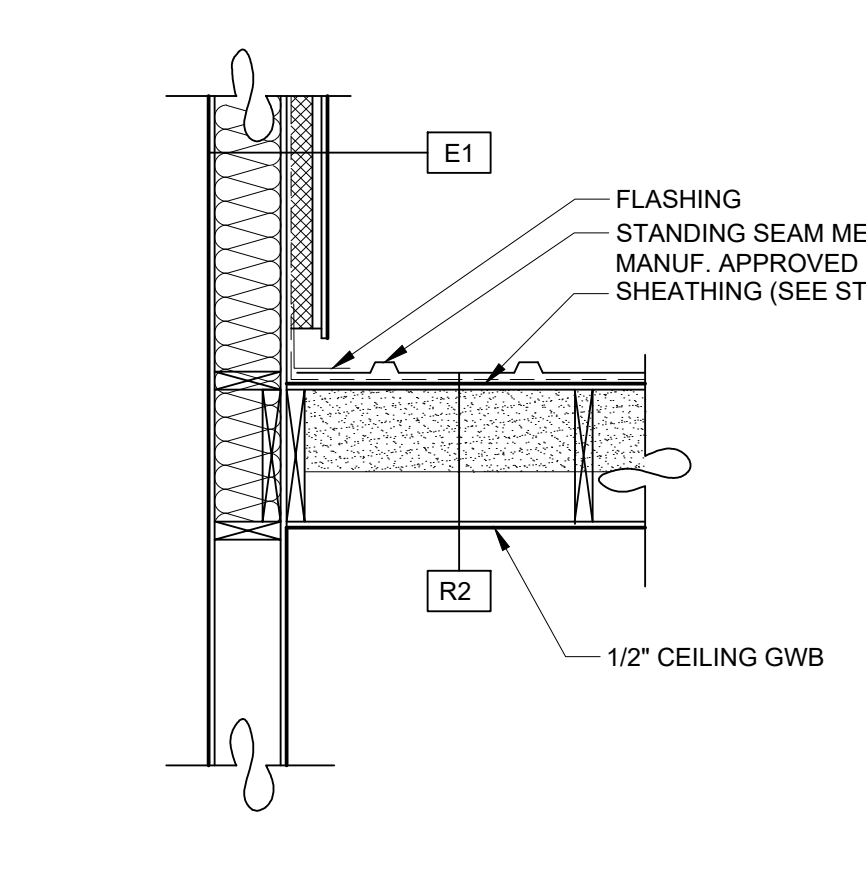
BARGE DETAIL - TYP
SCALE: 3/4" = 1'-0"



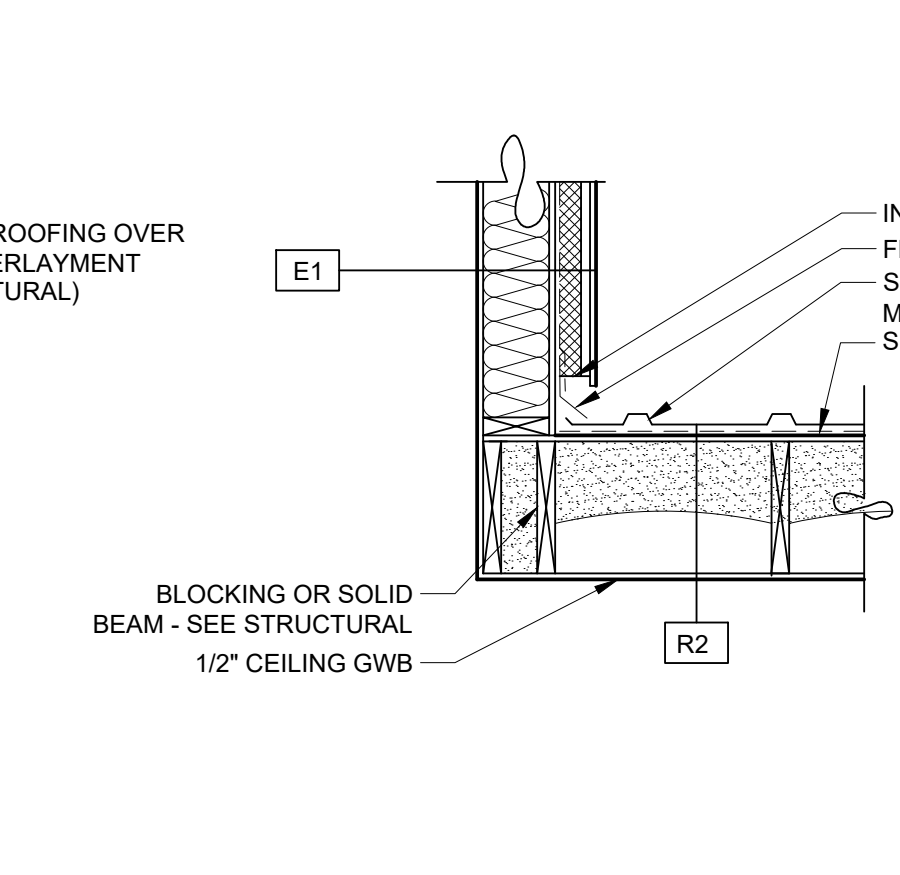
CEILING BEAM DETAIL
SCALE: 3/4" = 1'-0"



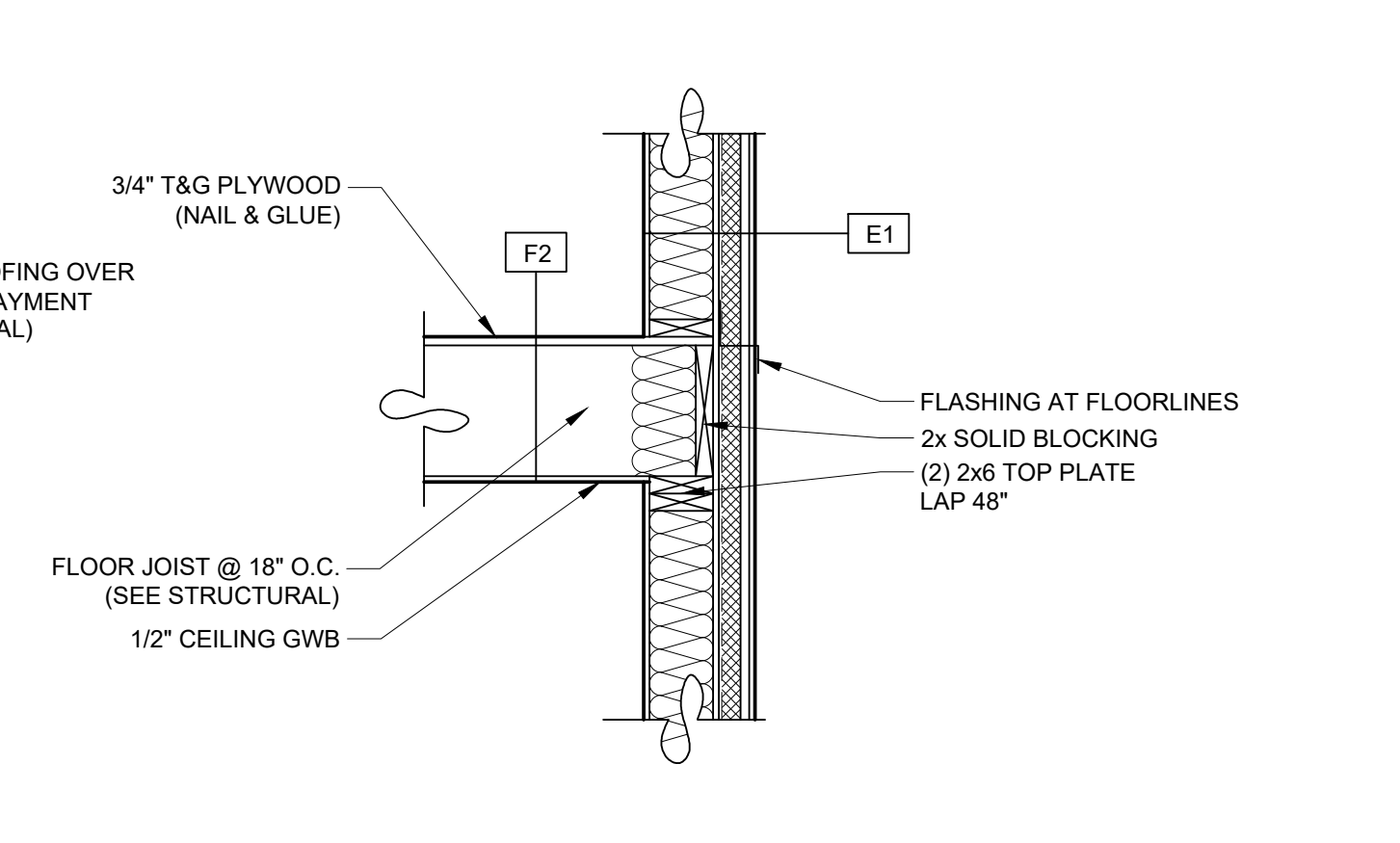
ROOF AT GARGEA
SCALE: 3/4" = 1'-0"



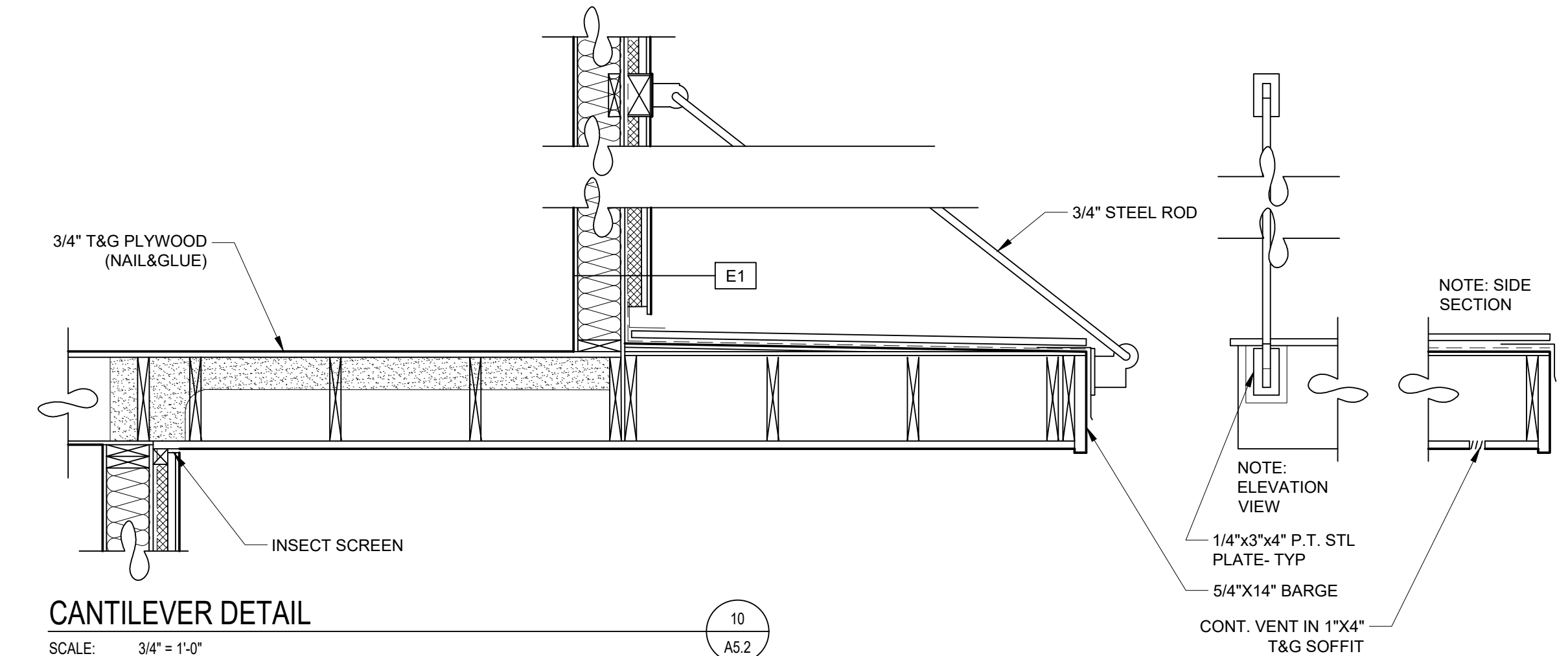
ROOF TO WALL DETAIL
SCALE: 3/4" = 1'-0"



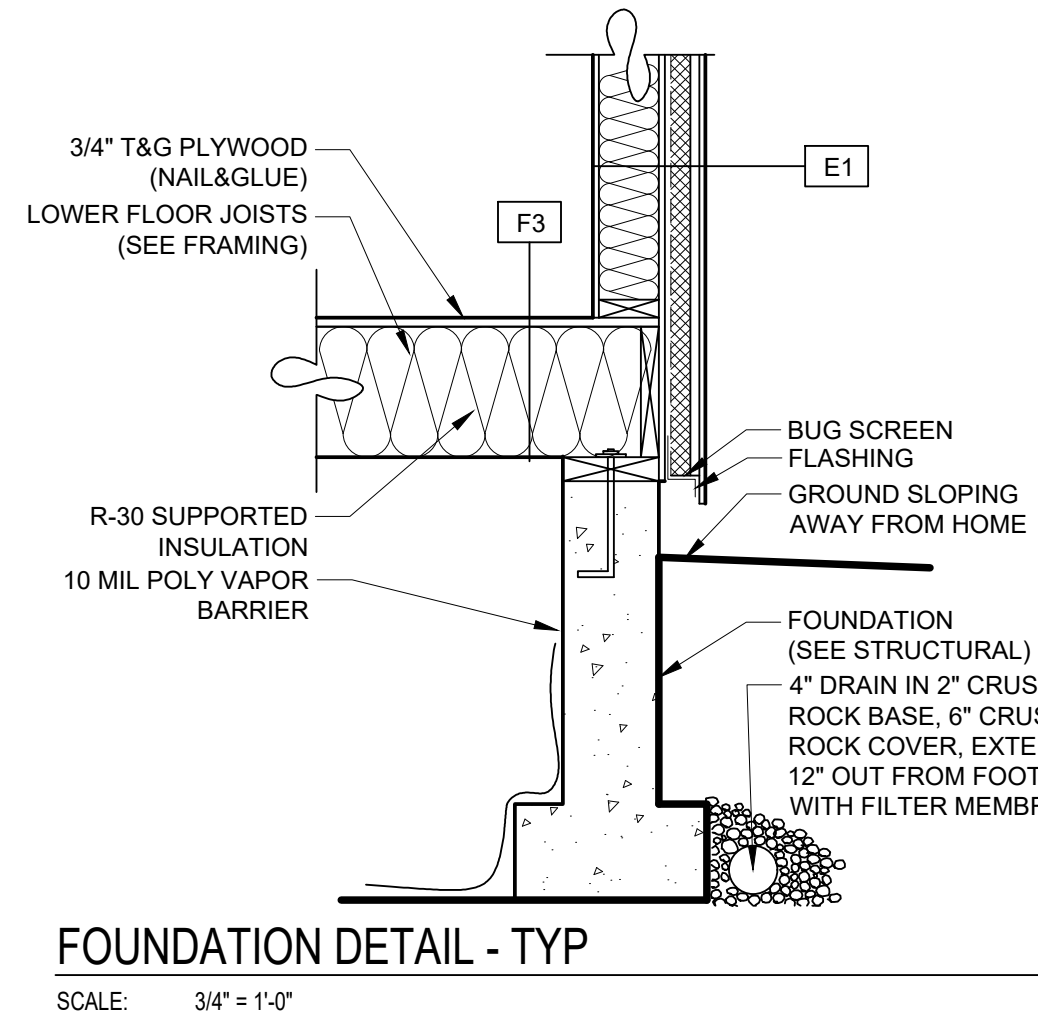
BEAM ROOF DETAIL
SCALE: 3/4" = 1'-0"



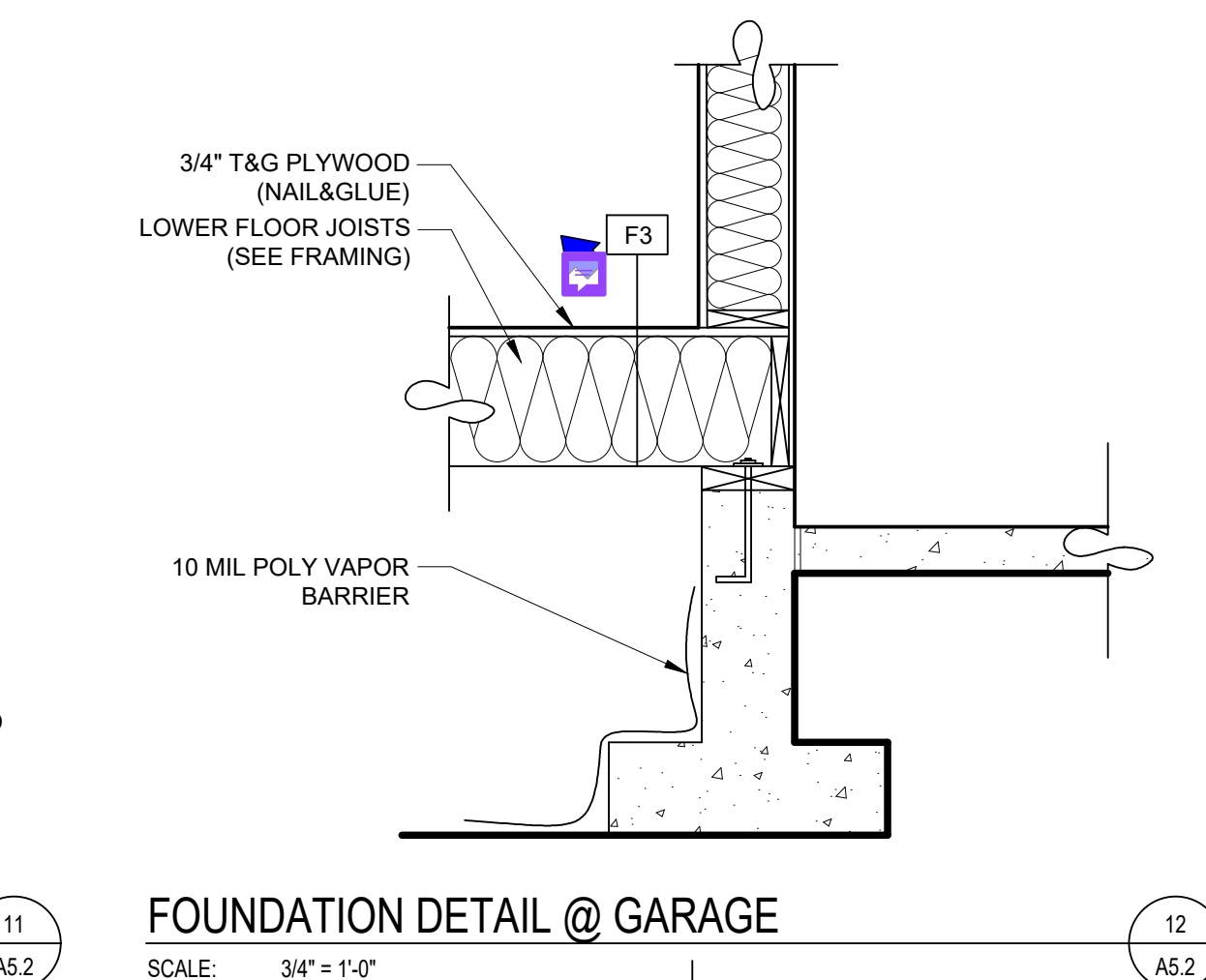
DETAIL NAME
SCALE: 3/4" = 1'-0"



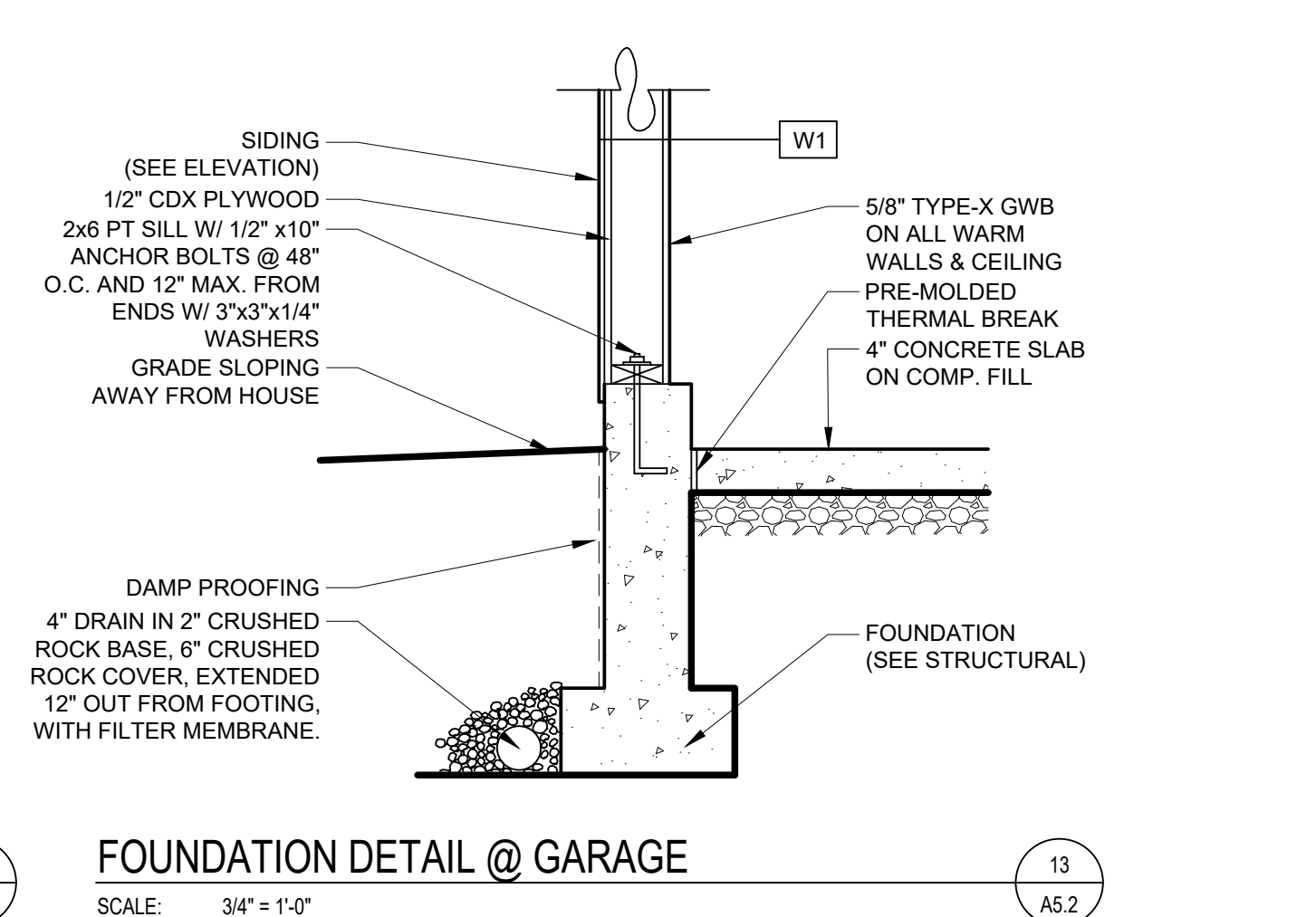
CANTILEVER DETAIL
SCALE: 3/4" = 1'-0"



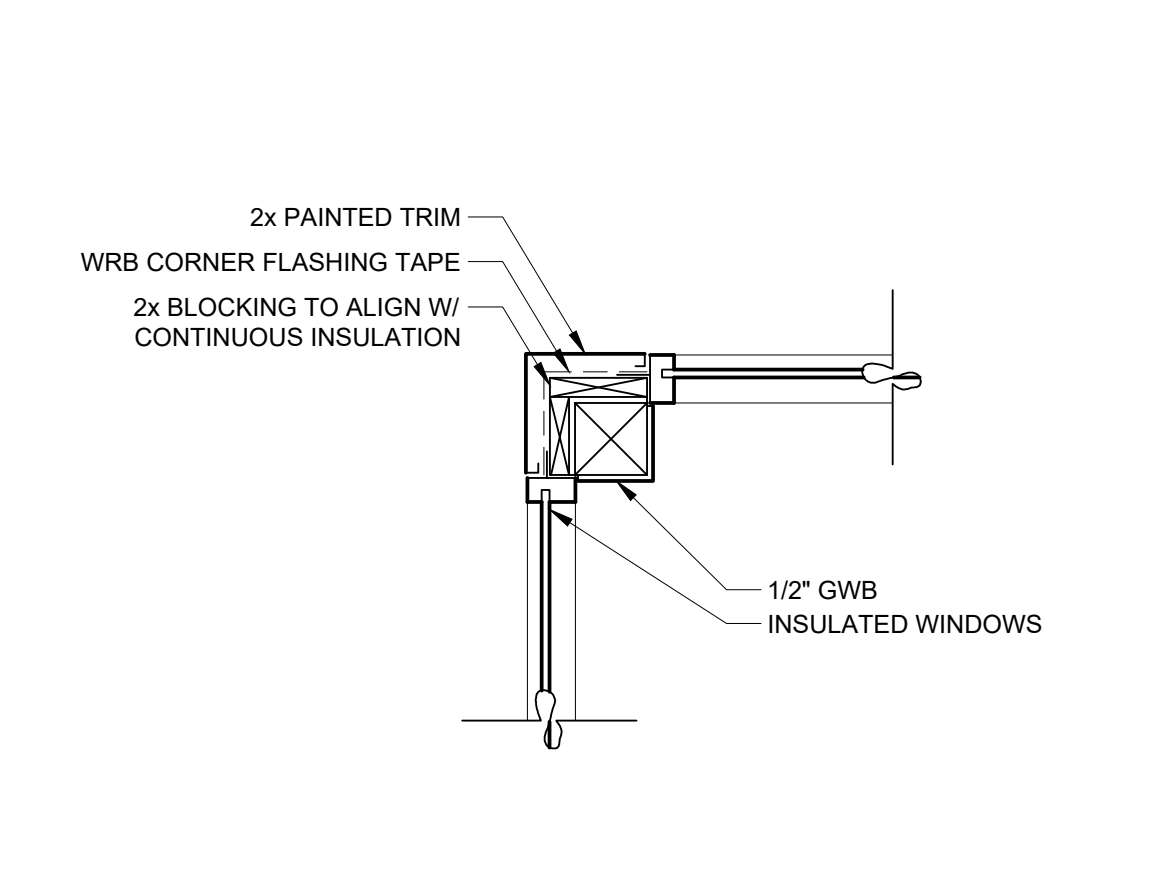
FOUNDATION DETAIL - TYP
SCALE: 3/4" = 1'-0"



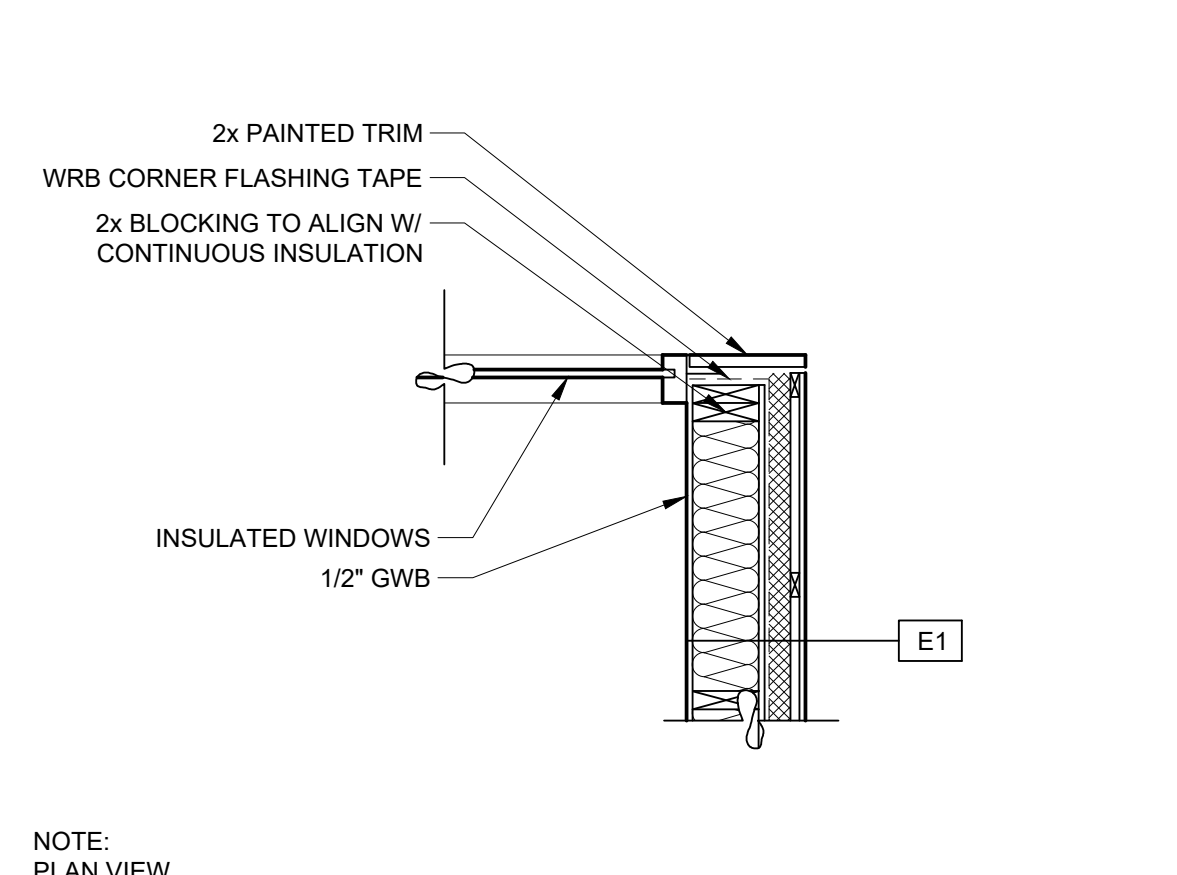
FOUNDATION DETAIL @ GARAGE
SCALE: 3/4" = 1'-0"



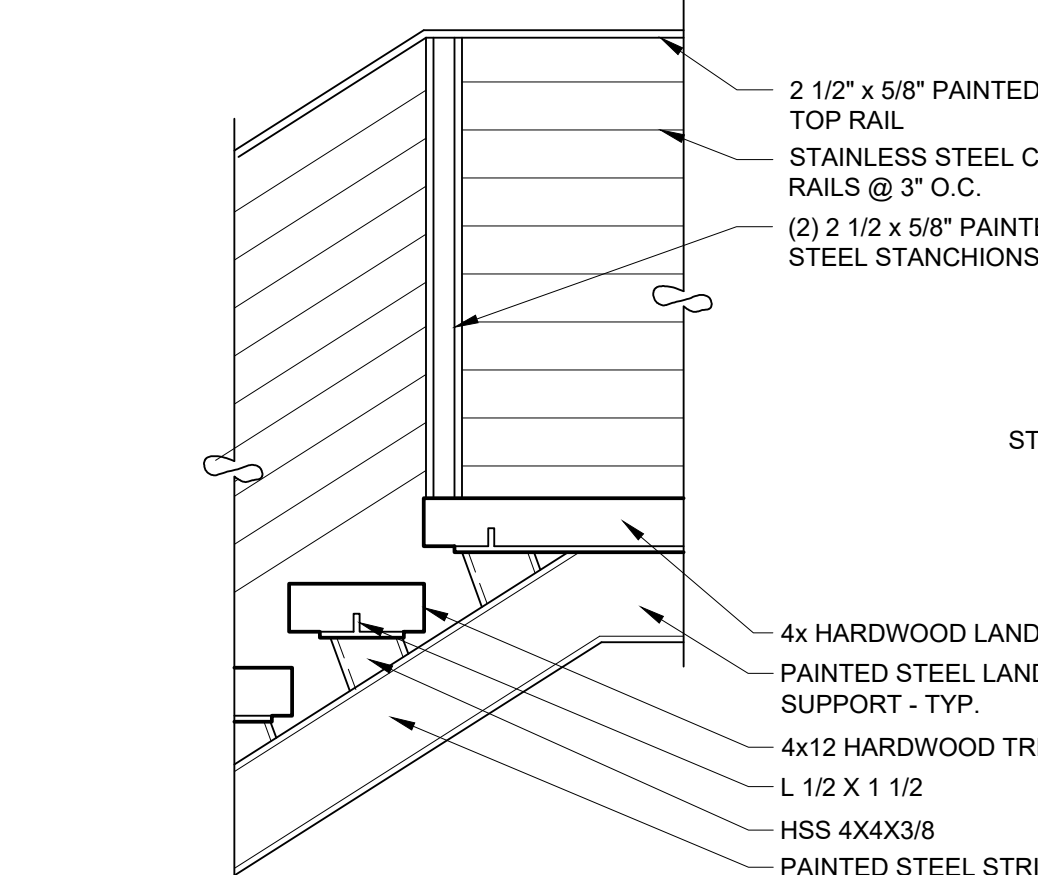
FOUNDATION DETAIL @ GARAGE
SCALE: 3/4" = 1'-0"



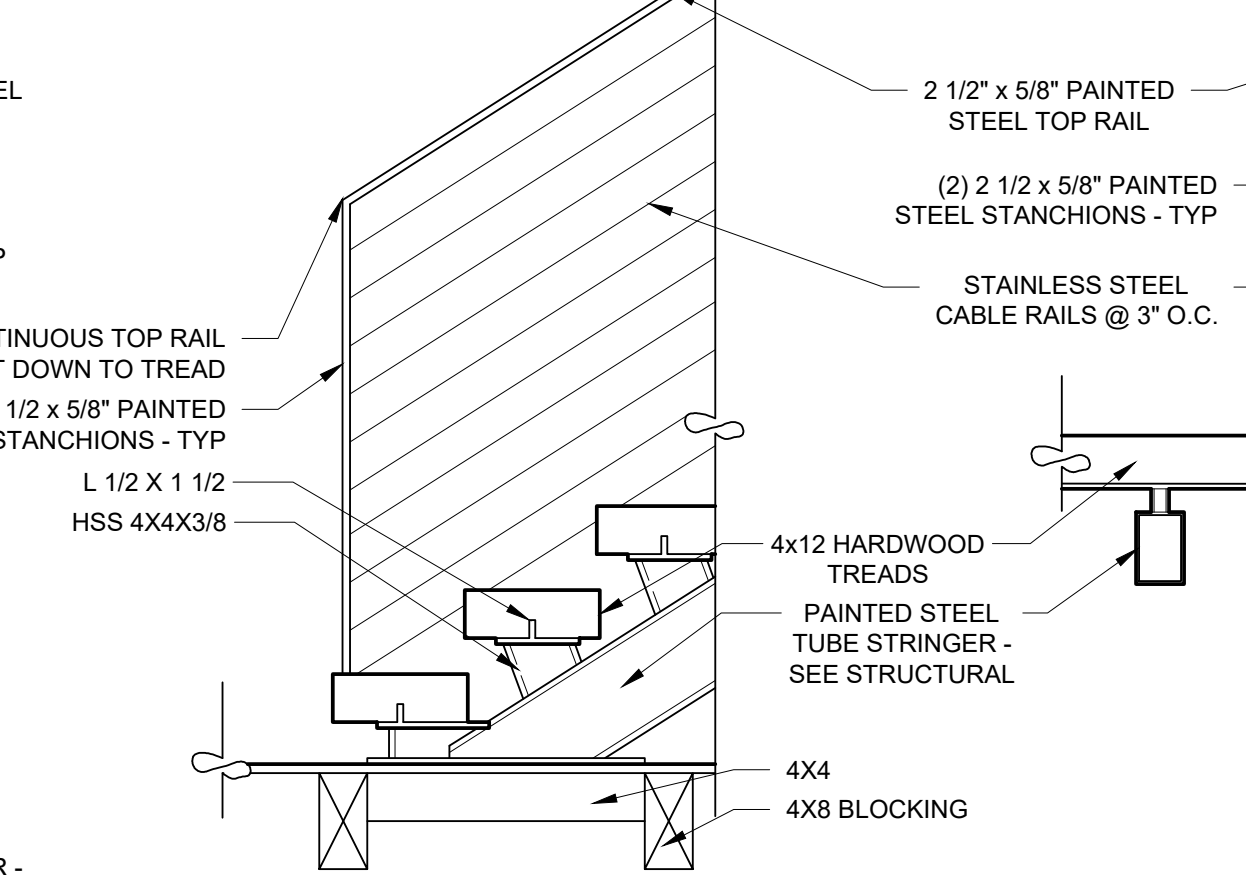
CORNER DETAIL
SCALE: 3/4" = 1'-0"



CORNER DETAIL
SCALE: 3/4" = 1'-0"



STAIR DETAIL @ LANDING
SCALE: 3/4" = 1'-0"



STAIR DETAIL @ FLOOR
SCALE: 3/4" = 1'-0"

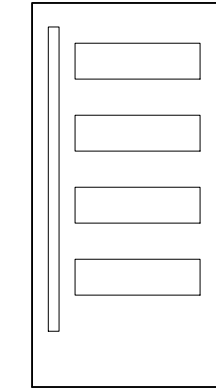
PELLETIER + SCHAAR
Vision Based Architecture
26911 98th Dr. NW, Suite B • Stanwood, WA 98292
www.pelletierschaar.com • 360-629-5375

NO. XXXXXX DRN XXX CHK XXX
© 2023 PELLETIER + SCHAAR, L.L.C.

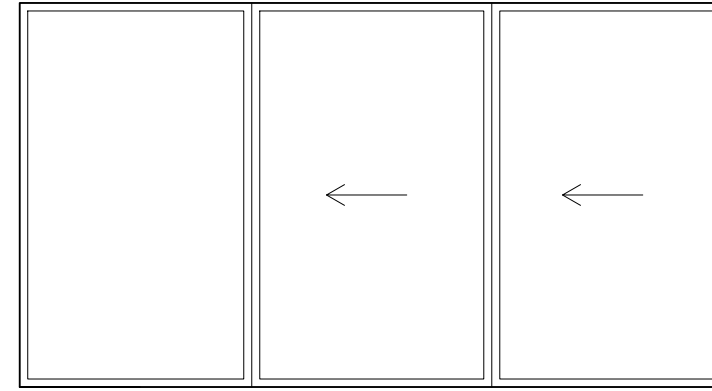
6946 REGISTERED ARCHITECT
DAVID R. PELLETIER
STATE OF WASHINGTON

A5.2
5/28/2024

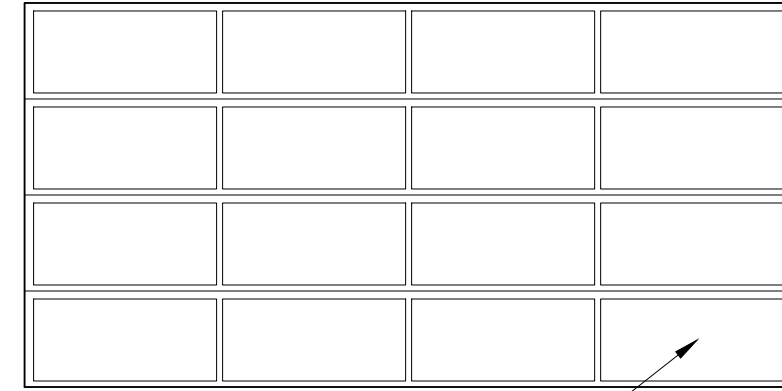
EXTERIOR DOOR SCHEDULE								
(NO.)	LOCATION	TYPE	DIMENSIONS	MATERIAL		EXT	NOTES	AREA
				DOOR	FRM			
101		AA	4/0 X 8/0 PIVOT				SAFETY GLASS	S.F.
102		BB	14/6 X 8/0 GARAGE				SAFETY GLASS	
103		CC	16/0 X 8/0 GARAGE				SAFETY GLASS	
104		DD	2/8 X 8/0 SWING					
TOTAL DOOR GLAZING								# S.F.



AA

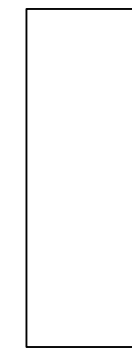


BB



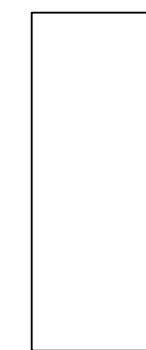
CC

GLASS - FROSTED - TYP

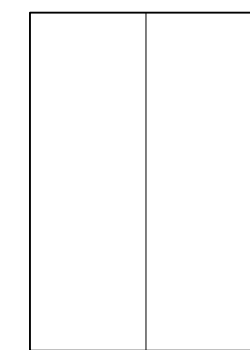


DD

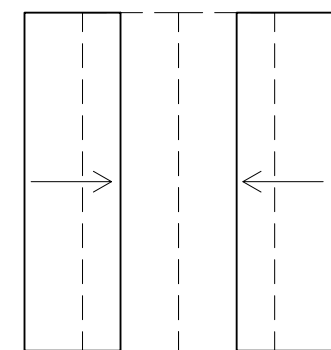
INTERIOR DOOR SCHEDULE								
(NO.)	LOCATION	TYPE	DIMENSIONS	MATERIAL		HRDWR	NOTES	AREA
				DOOR	FRM			
210	POWDER ROOM	A1	2/6 X 8/0 SWING					S.F.
211	PANTRY	B1	5/0 X 8/0 2x SWING					
212	CLOSET	A1	2/0 X 8/0 SWING					
213	CLOSET	A1	2/4 X 8/0 SWING					
214	BEDROOM #2	A1	2/8 X 8/0 SWING					
215	BEDROOM #2 CL	B1	5/0 X 8/0 2x SWING					
216	BATHROOM #2	A1	2/6 X 8/0 SWING					
217	LAUNDRY	A1	2/6 X 8/0 SWING					
218	BEDROOM #3	A1	2/8 X 8/0 SWING					
219	BEDROOM #3 CL	B1	5/0 X 8/0 2x SWING					
220	PRIMARY BEDROOM	A1	3/0 X 8/0 SWING					
221	PRIMARY BATHROOM	A1	2/10 X 8/0 SWING					
222	W.I.C.	C1	4/0 X 8/0 2x POCKET					
223	WATER CLOSET	A1	2/6 X 8/0 SWING					



A1



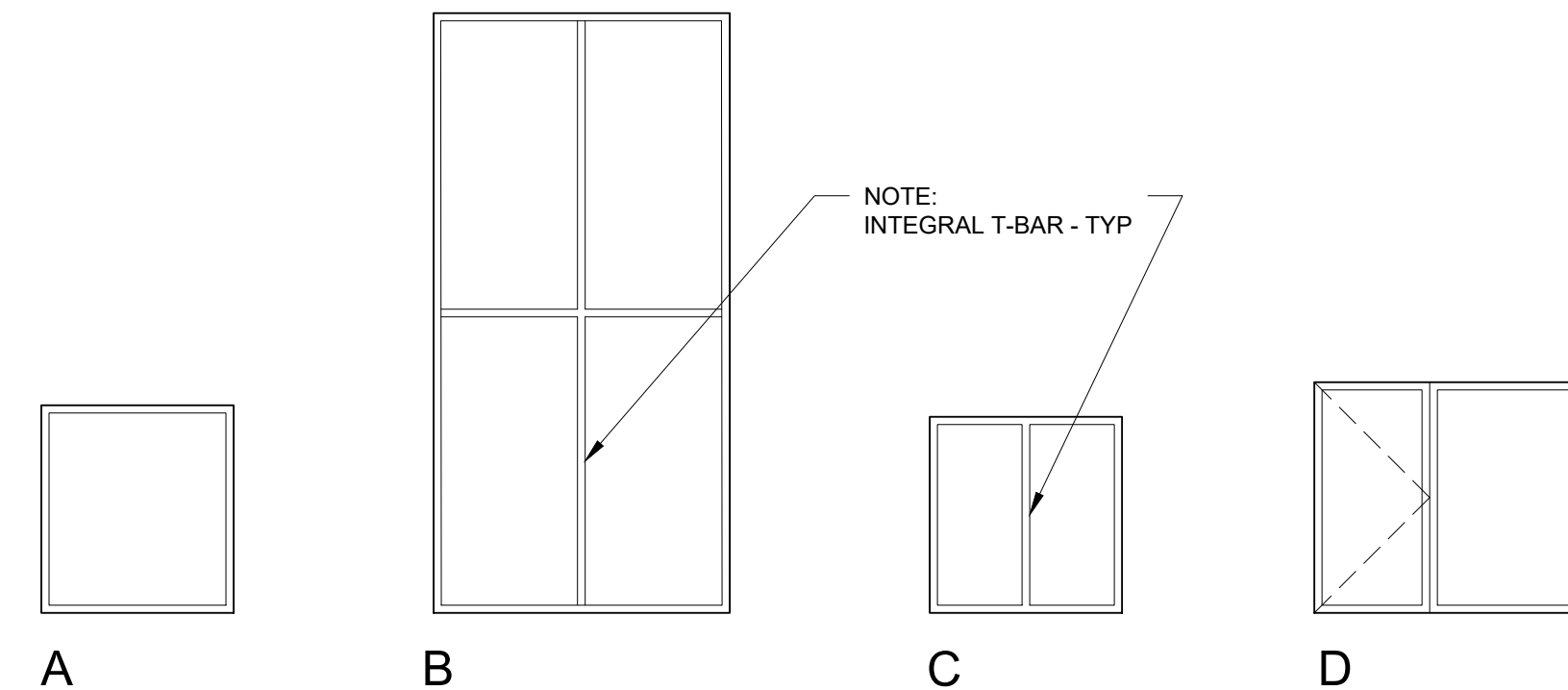
B1



C1

WINDOW SCHEDULE							
(NO.)	STYLE		LOCATION	DIMENSIONS	NOTES	AREA	
	TYPE	VENT					
1	A	FIX	KITCHEN	4/6 X 4/2	SAFETY GLASS	# S.F.	
2	A	FIX	KITCHEN	4/6 X 4/2			
3	A	FIX	KITCHEN	4/6 X 4/2			
4	B	FIX	STAIR	6/5 X 13/0			
5	C	FIX	ENTRY	4/3 X 4/2	NOTE 1		
6	D	MULL.	BEDROOM #3	6/4 X 5/0	EGRESS		
8	O	AWN	LAUNDRY	2/0 X 2/0			
9	E	AWN	BATHROOM #2	3/0 X 2/0			
10	D	MULL.	BEDROOM #2	6/4 X 5/0			
11	D	MULL.	BEDROOM #2	6/4 X 5/0	EGRESS		
12	F	FIX	LIVING ROOM	7/8 X 4/4			
13	G	MULL.	OFFICE	10/0 X 5/0			
14	H	FIX	OFFICE	4/0 X 5/0			
15	I	FIX	POWDER ROOM	1/6 X 5/0			
16	J	MULL.	PRIMARY BATHRM	6/4 X 6/0			
17	J	MULL.	PRIMARY BATHRM	6/4 X 6/0			
18	K	MULL.	PRIMARY BEDRM	3/0 X 8/0			
19	L	MULL.	PRIMARY BEDRM	8/6 X 8/0	EGRESS		
20	M	AWN	PRIMARY BEDRM	4/0 X 2/0			
21	C	FIX	KITCHEN	4/3 X 4/2	NOTE 1		
22	C	FIX	KITCHEN	4/3 X 4/2	NOTE 1		
23	C	FIX	KITCHEN	4/3 X 4/2	NOTE 1		
24	H	FIX	LIVING ROOM	4/4 X 4/11	NOTE 1		
25	H	FIX	LIVING ROOM	4/4 X 4/11	NOTE 1		
26	H	FIX	LIVING ROOM	4/4 X 4/11	NOTE 1		
27	H	FIX	LIVING ROOM	4/4 X 4/11	NOTE 1		
TOTAL WINDOW GLAZING						# S.F.	

NOTE: NO. 1
VERIFY ALL DIMENSIONS IN
THE FIELD



A

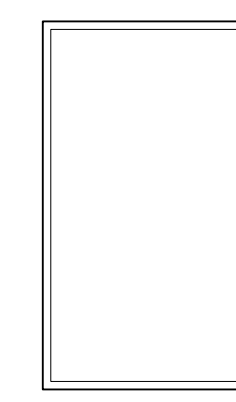
B

C

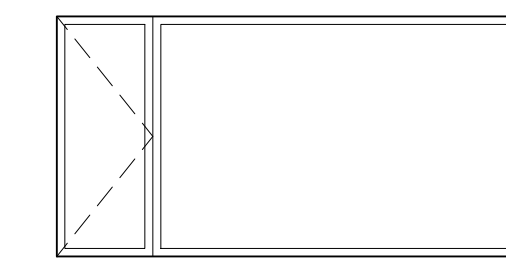
D



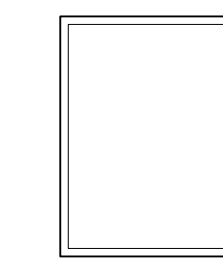
E



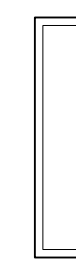
F



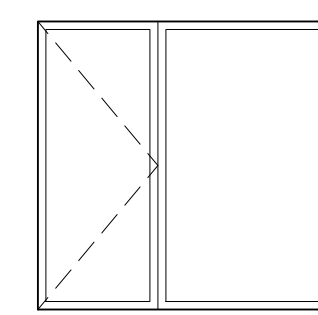
G



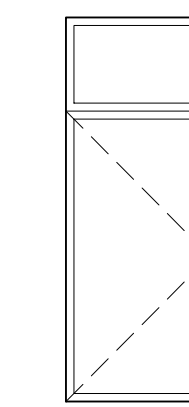
H



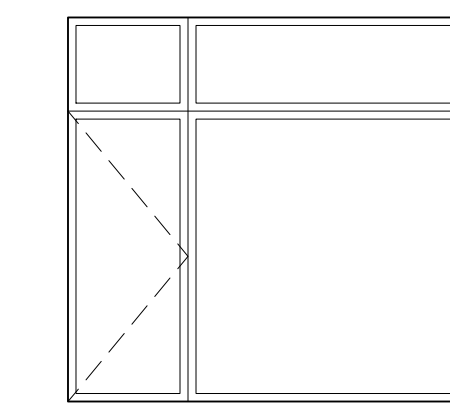
I



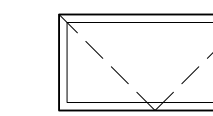
J



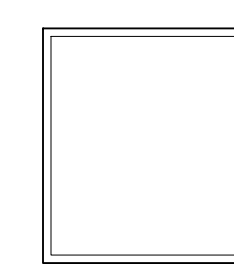
K



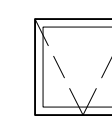
L



M



N



O

PELLETIER + SCHAAR
Vision Based Architecture

26911 98th Dr. NW, Suite B · Stanwood, WA 98292
www.pelletierschaar.com · 360-629-5375

NO. XXXXXX DRN XXX CHK XXX
© 2023 PELLETIER + SCHAAR, L.L.C.

6946 REGISTERED ARCHITECT
DAVID R. PELLETIER
STATE OF WASHINGTON

A6.1
5/28/2024

GENERAL

- ALL CONSTRUCTION SHALL CONFORM TO THE REQUIREMENTS OF THE 2021 EDITION OF THE INTERNATIONAL BUILDING CODE (IBC).
- THE ARCHITECT/ENGINEER (ARCH/ENGR) IS NOT RESPONSIBLE FOR THE LOCATION OF PROPERTY LINES AND/OR EASEMENT, SOIL CONDITIONS, MECHANICAL AND ELECTRICAL WORK, AND THE PRESENCE OF UTILITIES NOT REPORTED TO THE ARCH/ENGR IN WRITING BY THE OWNER.
- THE ENGINEER IS NOT RESPONSIBLE FOR FIELD REVIEW OF CONSTRUCTION UNLESS SPECIFICALLY RETAINED FOR THAT PURPOSE.
- DRAWINGS SHALL NOT BE SCALED, WRITTEN DIMENSIONS SHALL GOVERN CONSTRUCTION. THE CONTRACTOR SHALL VERIFY DIMENSIONS PRIOR TO CONSTRUCTION AND ANY DISCREPANCIES SHALL BE BROUGHT TO THE ATTENTION OF THE ARCH/ENGR SO THAT CLARIFICATION CAN BE MADE. ALL DIMENSIONS RELATED TO EXISTING CONDITIONS SHALL BE VERIFIED BY THE CONTRACTOR AND SHALL BE SUBMITTED TO THE ARCH/ENGR FOR REVIEW PRIOR TO CONSTRUCTION. DIMENSIONS FOLLOWED BY A +/- SYMBOL SHALL BE FIELD MEASURED AND VERIFIED PRIOR TO COMMENCEMENT.
- DETAILS OF CONSTRUCTION NOT SHOWN OR NOTED SHALL BE CONSIDERED OF THE SAME CHARACTER SHOWN FOR SIMILAR CONSTRUCTION, SPECIFICATIONS, WHEN PROVIDED, ARE A PART OF THESE DRAWINGS. SEE SPECIFICATIONS FOR MATERIAL AND WORKMANSHIP REQUIREMENTS.
- THE CONTRACTOR SHALL PROVIDE ALL LABOR EQUIPMENT, MATERIAL AND SERVICES NECESSARY FOR THE EXECUTION OF ALL CONSTRUCTION WORK AS SHOWN ON THE DRAWINGS AND AS NOTED IN THE SPECIFICATIONS.
- THE CONTRACTOR SHALL COMPARE THE DRAWINGS AND NOTIFY THE ARCH/ENGR OF ANY DISCREPANCIES PRIOR TO COMMENCING WITH THE WORK.
- TEMPORARY BRACING AND SHORING NECESSARY TO SUPPORT ANY PORTION OF THE STRUCTURE DURING CONSTRUCTION IS THE RESPONSIBILITY OF THE CONTRACTOR.

FOUNDATIONS

- REFER TO GEO-TECHNICAL DATA BELOW FOR THE PROJECT DESIGN PARAMETERS. GEOTECHNICAL ENGINEER SHALL VERIFY PLACEMENT OF FILLS AND FOUNDATIONS PRIOR TO PLACEMENT OF FILLS.
- SPECIFIED CONCRETE MIX AS FOLLOWS:

CONCRETE MIX				
TYPE OF CONSTRUCTION	COMPRESSION STRENGTH @ 28 DAYS, PSI	MAX W/C RATIO	ENTRAINED AIR	SACK MIX
SLAB ON GRADE (INTERIOR)	3000			
SLAB ON GRADE (EXTERIOR)	3000	0.45	5%	
BASEMENT WALL	2500	0.50		5 1/2
FOOTINGS	2500	0.50		5 1/2
CONT. FOOTINGS	2500	0.50		5 1/2

- CONCRETE REINFORCEMENT SHALL CONFORM TO ASTM A615, AND PER BELOW.

REBAR - PER ASTM A615	
#3 & LESS	GRADE 60
#4 & GREATER	GRADE 60

COVER FOR REINFORCEMENT SHALL BE AS FOLLOWS:

FOOTINGS & RETAINING WALLS (CAST AGAINST SOIL)	3" COVER
SURFACES EXPOSE TO EARTH OR WEATHER	2" COVER
COLUMNS & BEAMS	1 1/2" COVER
SLABS & INTERIOR WALLS	3/4" COVER

- FOUNDATION WALL SHALL EXTEND 6" ABOVE FINISHED GRADE.
- FOUNDATION PLATES SHALL BE PRESSURE TREATED (PT) HF 2.
- INSTALL FOUNDATION ANCHOR BOLTS 4" ON CENTER (JNO) AND EMBED A MINIMUM 7" IN CONCRETE.
- INSTALL WATER PROOFING MATERIALS ON FOUNDATION WALL SUPPORTING SOIL.
- ALL FOOTING EXCAVATIONS SHALL BE NEXT AND AS CLOSE TO FOOTING DIMENSIONS AS PRACTICABLE.
- ALL FOUNDATIONS SHALL BEAR ON FIRM UNDISTURBED NATIVE SOILS OR ENGINEERED FILLS AT OR EXCEEDING DEPTHS SHOWN ON THE DRAWINGS. ALL SOILS WORK AND SITE GRADING SHALL BE IN ACCORDANCE WITH CHAPTERS 18 OF THE IBC.

GEOTECHNICAL

IN ABSENCE OF GEOTECHNICAL ANALYSIS, THE FOLLOWING DESIGN CRITERIA IS USED:

SOIL BEARING PRESSURE:	1500 PCF
ACTIVE EARTH PRESSURE (RETAINING WALLS):	35 PCF
AT REST EARTH PRESSURE (BASEMENT WALLS):	60 PCF
PASSIVE PRESSURE:	350 PCF
FRICITION COEFFICIENT:	0.35

REPORT PREPARED BY:

PROJECT SPECIFIC DESIGN CRITERIA

Wind Design Data

Wind Design Speed, $V_w = 110$ MPH, $V_{asd} = 85$ MPH
 Wind Exposure = C
 Wind Importance Factor, $I_w = 1.0$
 Internal Pressure Coefficient = +/- 0.18
 $K_z = 1.00$
 $K_d = 0.85$

Seismic Design Data

Importance factor = 1.0
 $S_s = 1.63g$, $S_1 = 0.64g$
 Site Class = D
 $SDS = 1.15g$, $SD1 = 0.88g$
 $SDC = D$
 Seismic System = Wood/Steel structural panels rated for shear resistance
 Design Base Shear = 15.58 kips
 $C_s = 0.177$
 $R = 6.5$
 Analysis procedure: ASCE 11.4, 11.5 & 12.8

Snow Loads

Flat-roof snow load, $p_f = 25.0$ psf
 Snow exposure factor, $C_e = 1.00$
 Snow load important factor, $I_s = 1.00$
 Thermal factor, $C_t = 1.00$

Gravity Loads*

Roof Dead Load = 15 psf + 5 psf (SOLAR PANELS)
 Roof Live Load = 25 psf
 Floor Live Load (Office) = 50 psf
 Floor Live Load (Residential) = 40 psf, Balcony & Roof Decks = 60 psf
 Floor live Load (Corridor) = 100 psf
 Partition Loads = 10 psf (residential)
 Partition Loads = 20 psf (office)
 Floor Dead Loads = 12 psf (residential)
 At rest earth pressure = 60 pcf
 *As Applicable

WOOD CONSTRUCTION

NFPA - NATIONAL DESIGN FOR WOOD CONSTRUCTION
 ANSI/TPI - NATIONAL DESIGN STANDARD FOR METAL PLATE CONNECTED WOOD TRUSS CONSTRUCTION.

MATERIAL

SAWN LUMBER			
USE	SIZE	SPECIES/GRADE	MIN. DESIGN VALUE
STUD	2 X 4, 2 X 6, 3 X 4, 3 X 6	HEM-FIR (N)	$F_b = 775$ psi $F_c = 925$ psi
Sill Plate	2 X 4, 2 X 6, 3 X 4, 3 X 6	HEM-FIR (N)	$F_b = 775$ psi $F_c = 925$ psi
Post / Columns	4 x	DOUG-FIR #1	$F_c = 1350$ psi
Post / Column	6 x	DOUG-FIR #1	$F_c = 1000$ psi
JOISTS	2 X 8 TO 2 X 12	HEM-FIR (N) #2	$F_b = 850$ psi $F_v = 95$ psi
Beam & Headers	4 x 6 To 4 x 12	HEM-FIR (N) #1	$F_b = 850$ psi $F_v = 95$ psi

Glue-Laminated Beams (GLB) Top Fiber Btm Fiber stress F_c (Compression)

24F-V4	1200 psi	2400 psi	
24F-V8	2400 psi	2400 psi	
Parallam Beams (PSL) - 2.0E	2900 psi	2900 psi	2900 psi
Microlam (LSL) - 2.0E	2600 psi	2600 psi	2510 psi

Roof Sheathing - 15/32 inch DOC PS-1 or PS-2 (APA Performance rated) 32/16 span rating with Exposure I glue.
 Sub-Floor Sheathing - 3/4 inch DOC PS-1 or PS-2 (APA Performance rated) Sturd-I-Floor 24-in o/c rating with Exposure I glue.
 Wall structural panels - Refer to Table 1 for thickness. 32/16 indexing rating - 5 ply with Exposure I glue.

REPLACE SPLIT MEMBERS AND PRE-DRILL HOLES WHERE NAILING MAY CAUSE WOOD TO SPLIT.

METAL FRAMING CLIPS, HANGERS, ETC. SHALL BE SIMPSON STRONG TIE. NAILING SHALL BE IN ACCORDANCE WITH THE MANUFACTURER'S INSTRUCTIONS WITH A NAIL PROVIDED FOR EACH PUNCHED HOLE. WHERE NAILS ARE TO BE FURNISHED BY THE MANUFACTURER, THEY SHALL BE USED IN PLACE OF COMMON NAILS. BOLTS IN NOT PRESSURE TREATED LUMBER SHALL BE UNFINISHED MACHINE BOLTS OF SIZES SHOWN ON DRAWINGS, CONFORMING TO ASTM A307. LENGTH OF BOLTS SHALL NOT PROJECT LESS THAN 1/16" OR MORE THAN 1/2" BEYOND THE END OF NUT. BOLT HOLES IN WOOD SHALL BE 1/32" MIN. 1/16" MAX. LARGER THAN THE BOLT DIAMETER. PROVIDE STANDARD CUT OR MALLEABLE IRON WASHER UNDER BOLT HEAD AND NUT WHERE THEY WOULD BEAR ON WOOD. NUTS SHALL BE TIGHTENED WHEN PLACED AND RETIGHTENED BEFORE CONCEALMENT.

WOOD BELOW MAIN BUILDING PANELS SHALL BE DOUGLAS FIR FOR SUPPORTING BEAMS, AND PRESSURE TREATED.

ROOF TRUSSES SHALL NOT HAVE AREA BETWEEN WEB MEMBERS LARGER THAN 42" HIGH X 24" WIDE UNLESS SPECIFICALLY NOTED ON PLANS.

PRESSURE TREATING:

ALL LUMBER IN CONTACT WITH CONCRETE SHALL BE PRESSURE TREATED WITH 0.25 POUNDS PWE CUBIC FOOT OF WATERBORNE (ACZA) PRESERVATIVES IN ACCORDANCE WITH AWPB PRESSURE-TREATMENT RETENTIONS FOR WESTERN SPECIES ONLY AND THE CORRESPONDING AWPB QUALITY ASSURANCE PROCEDURE ASSOCIATED WITH THE AWPB STANDARD. PRODUCTS SHALL BEAR THE AWPB MARK. BOLTS, NAILS, WOOD CONNECTORS & SCREWS USED IN EXTERIOR APPLICATIONS, OR IN PRESSURE TREATED MATERIAL SHALL BE HOT-DIPPED GALVANIZED (PER ASTM A153) OR STAINLESS STEEL. HOLD DOWN DEVICES COATED WITH CORROSION PROTECTION PER ASTM A123.

ENGINEERED WOOD CONSTRUCTION REQUIREMENTS

2303.1.1 Lumber. Lumber used for load-supporting purposes, including end-jointed or edge-glued lumber, machine stress-rated or machine evaluated lumber, shall be identified by the grade mark of a lumber grading or inspection agency that has been approved by an accreditation body that complies with DOC PS 20 or equivalent. Grading practices and identification shall comply with rules published by an agency approved in accordance with the procedures of DOCPS 20 or equivalent procedures. In lieu of a grade mark on the material, a certificate of inspection as to species and grade issued by a lumber-grading or inspection agency meeting the requirements of this section is permitted to be accepted for precut, remanufactured or rough-sawn lumber, and for sizes larger than 3 inches (76 mm) nominal thickness. Approved end-jointed lumber is permitted to be used interchangeably with solid-sawn members of the same species and grade.

2303.1.2 Prefabricated wood I-joists. Structural capacities and design provisions for prefabricated wood I-joists shall be established and monitored in accordance with ASTM D 5055.

2303.1.3 Structural glued-laminated timber. Glued-laminated timbers shall be manufactured and identified as required in AITC A190.1 and ASTM D 3737.

2303.1.4 Wood structural panels. Wood structural panels, when used structurally (including those used for siding, roof and wall sheathing, subflooring, diaphragms and built-up members), shall conform to the requirements for their type in DOC PS 1 or PS 2. Each panel or member shall be identified for grade and glue type by the trademarks of an approved testing and grading agency. Wood structural panel components shall be designed and fabricated in accordance with the applicable standards listed in Section 2306.1 and identified by the trademarks of an approved testing and inspection agency indicating conformance with the applicable standard. In addition, wood structural panels when permanently exposed in outdoor applications shall be of exterior type, except that wood structural panel roof sheathing exposed to the outdoors on the underside is permitted to be interior type bonded with exterior glue, Exposure 1.

STRUCTURAL TESTS AND INSPECTIONS

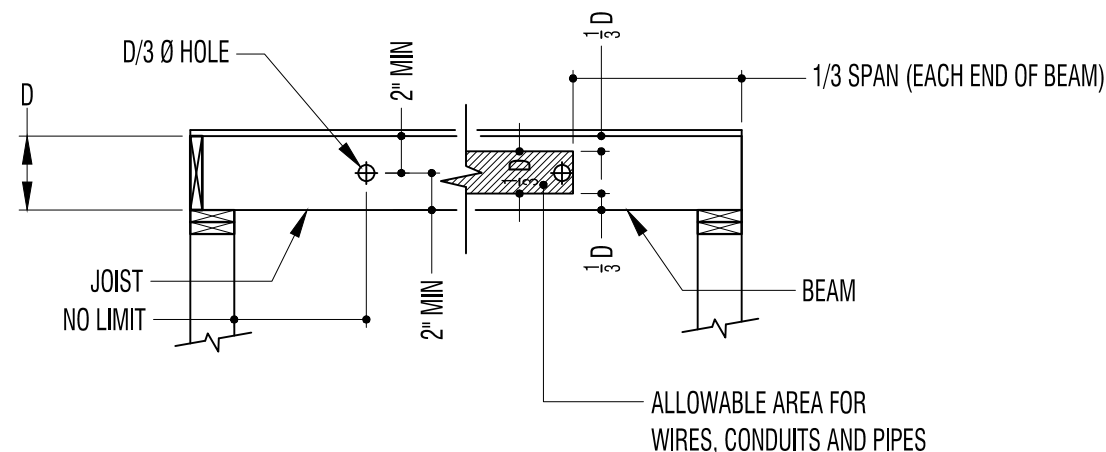
(Where applicable)

- CONCRETE SPECIMEN TESTING AND PLACING OF REINFORCED CONCRETE PER IBC SECTION 1705.3
- STEEL REINFORCEMENT PLACING PER IBC TABLE 1705.2
- STRUCTURAL STEEL WELDING AND BOLT PLACEMENT PER IBC 1704.3.3. STRUCTURAL WELDING PER IBC 1704.3.1. ALL WELDING, SHOP OR FIELD SHALL BE PERFORMED BY WABO CERTIFIED WELDERS.
- POST INSTALLED (EPOXIED) HOLD-DOWN BOLTS. INSPECT FOR CORRECT EPOXY, ANCHOR ROD SIZE AND MATERIAL. ENSURE THE EMBEDMENT HOLE IS THE CORRECT DIAMETER (PER MANUFACTURERS REQUIREMENTS) AND ITS DUST FREE.

MEMBER NAILING SCHEDULE**

MEMBER	TOE NAIL	3-16d
JOIST OR RAFTERS AT ALL BEARING	-	TOE NAIL
JOIST OR RAFTERS TO SIDES OF STUD:		
2x8 MEMBER OR SHALLOWER		3-16d
FOR EACH ADDITIONAL FOUR (4) INCHES IN DEPTH		1-16d
DOUBLE JOISTS, RAFTERS, AND HEADERS		2-16d AT 12" O.C.
BLOCKING BETWEEN JOIST OR RAFTERS:		
TO JOIST OR RAFTERS	-	TOE NAILS, EACH SIDE, EACH END
TO JOIST OR RAFTERS BEARINGS	-	TOE NAILS, EACH SIDE
BLOCKING BETWEEN STUDS, TOE NAILS, EACH END		2-10d
BUILD -UP CORNER STUDS		16d AT 12" O.C.
2" SUBFLOOR TO JOIST OR GRIDER, BLIND AND FACE NAIL		16d AT 16" O.C.
TOP PLATE OR SOLE PLATE TO STUD, END NAIL		2-16d AT 2x4,
		3-16d AT 2x6
DOUBLED STUDS, FACE NAIL		16d AT 12" O.C.
DOUBLED TOP PLATES, FACE NAIL		2-16d AT 16" O.C.
TOP PLATES, LAPS (4" - 0" MINIMUM), FACE NAIL		12 - 16d
TOP PLATES, INTERSECTIONS, FACE NAIL		2-16d
CONTINUOUS HEADER TO STUD, TOE NAIL		4-8d
CEILING JOIST, LAPS OVER PARTITIONS, FACE NAIL		3-16d
CEILING JOIST TO PARALLEL RAFTERS, FACE NAIL		3-16d
CEILING JOIST LEDGER -FACE NAIL TO STUDS:		
2x4 AND 2x6		2-16d
2x8 AND UP TO 2x12		3-16d
LEDGER TO STUDS:		
2x8 MEMBER OR SHALLOWER		3-16d
FOR EACH ADDITIONAL 2"		1-16d

**IF NAILING NOTED PER PLAN DIFFERS WITH THIS TABLE, THEN THE NAILING PER PLAN SHALL GOVERN.



HOLES IN BEAMS & JOISTS

STRUCTURAL STEEL

1. ALL STRUCTURAL STEEL FABRICATION AND ERECTION SHALL CONFORM TO THE SPECIFICATIONS AS STATED IN THE MANUAL OF STEEL CONSTRUCTION BY A.I.S.C. SHOP DRAWING SHALL BE SUBMITTED FOR REVIEW BY ENGINEER. STRUCTURAL STEEL SHALL MEET THE FOLLOWING MINIMUM REQUIREMENTS, U.O.N.:

WIDE FLANGE AND WT SHAPES ASTM A992
 OTHER SHAPES, RODS, AND PLATES ASTM A36
 TUBES ASTM A500 GRADE B
 PIPE ASTM A53 GRADE B

2. BOLTS SHALL CONFORM TO THE REQUIREMENTS OF ASTM A325. HIGH STRENGTH BOLTS SHALL CONFORM TO THE REQUIREMENTS OF ASTM 325X. BOLT HOLES SHALL BE 1/16" LARGER IN DIAMETER THAN THE BOLT, UNLESS OTHERWISE NOTED (U.O.N.) ON THE DRAWINGS. **ASTM F436 WASHERS ARE REQUIRED UNDER HEAD & NUT.**

Shear Connectors: ASTM A 108, Grades 1015 through 1020, headed-stud type, cold-finished carbon steel; AWS D1.1, Type B.

3. ALL WELDING SHALL COMPLY TO AWS D1.1, LATEST EDITION. CONTRACTOR SHALL SUBMIT WELD PROCEDURE SPECIFICATIONS FOR EACH TYPE OF WELD JOINT TO ENGINEER AND SPECIAL INSPECTOR FOR REVIEW PRIOR TO START OF WORK.

4. ALL WELDS SHALL BE MADE WITH A FILLER METAL THAT HAS A MINIMUM CHARPY V-NOTCH TOUGHNESS OF 20 FT-LBS AT MINUS 20 DEGREES F., AS DETERMINED BY AWS CLASSIFICATION OR MANUFACTURER CERTIFICATION.

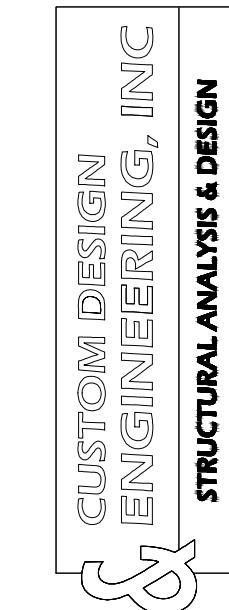
5. ALL STRUCTURAL WELDS SHALL BE PERFORMED BY WELDER ACCEPTABLE TO THE ARCH/ENGR. CERTIFICATIONS SHALL BE SUBMITTED TO THE ARCH/ENGR AND THE BUILDING OFFICIAL. MUST BE WABO CERTIFIED.

6. Nonmetallic, Shrinkage-Resistant Grout: Premixed, nonmetallic, noncorrosive, nonstaining grout containing selected silica sands, portland cement, shrinkage compensating agents, plasticizing and water-reducing agents, complying with ASTM C 1107, of consistency suitable for application, and a 30-minute working time.

7. UNLESS NOTED OTHERWISE, DRILLED CONCRETE ANCHORS AND SELF-DRILLING ANCHORS SHALL BE BY ITW RAMSET/REDHEAD. CONCRETE INSERTS, COIL LOOP INSERTS AND FERRULE LOOP INSERTS SHALL BE BY BURKE. APPROVED EQUALS MAY BE SUBSTITUTED.

*** NOTICE: OWNERSHIP OF THESE DOCUMENTS ***

ALL SHEETS/DRAWINGS CONTAINED IN THIS DOCUMENT ARE PROPERTY OF CUSTOM DESIGN & ENGINEERING, INC., AND ARE LICENSED TO THE ORIGINAL PURCHASING CLIENT (CLIENT). THE CLIENT MAY NOT SUBLICENSE, ASSIGN, OR TRANSFER THIS LICENSE TO A THIRD PARTY WITHOUT A WRITTEN APPROVAL OF CUSTOM DESIGN & ENGINEERING, INC. THESE DRAWINGS MAY NOT BE REUSED FOR OTHER PROJECTS WITHOUT THE PRIOR WRITTEN PERMISSION FROM CUSTOM DESIGN & ENGINEERING, INC.



WWW.CDENGR.COM
 MUKILTEO WA
 (425) 343-7517
 email: mail@cdengr.com

PROJECT NAME: JEFF RUDD RESIDENCE

PROJECT ADDRESS: 8032 SE 57TH ST
 MERCER ISLAND WA 98040

DATE: 5-21-2024

DWG TITLE: STRUCTURAL NOTES

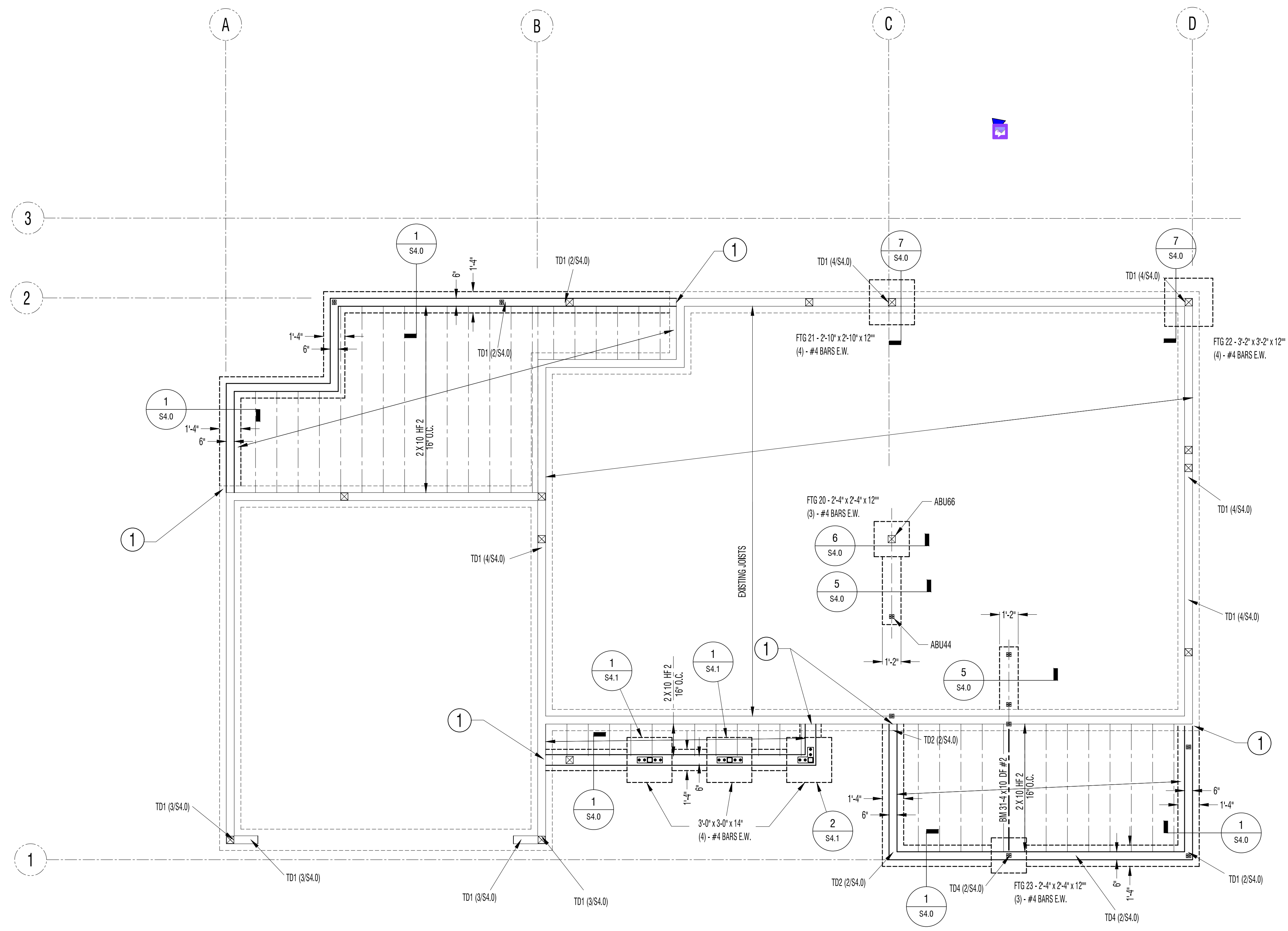


PROJECT #

A4-3437

SHEET NO

S1.0



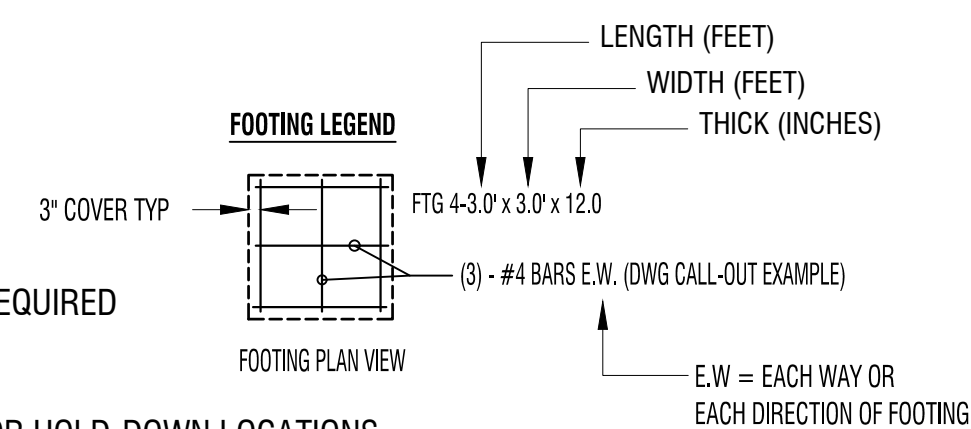
PLAN NOTES

- ① CONNECT NEW FOUNDATION FOOTING & STEM WALL BY EMBEDDING NEW RE-BAR OF FOOTING & STEM WALL 6" MIN. EPOXY WITH SIMPSON SET-22 OR EQUIVALENT.

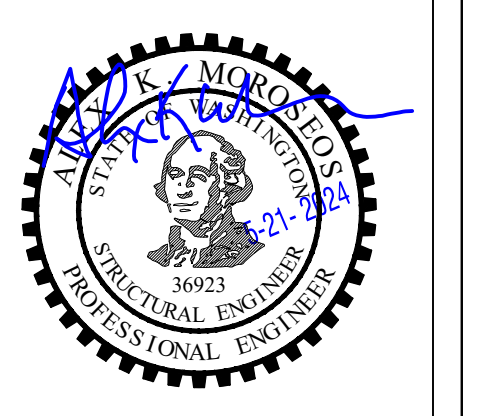
FOUNDATION PLAN

- 3 X 3 X 1/4" GALVANIZED PLATE WASHER IS REQUIRED
- EMBED ANCHOR BOLTS 7.5" MIN
- REFER TO SHEAR WALL PLANS FOR HOLD-DOWN LOCATIONS

● THE FOUNDATION PLAN SHOWN ON THIS SHEET PROVIDES THE FOOTING SIZES AND DIMENSIONS, ALONG WITH THE STRUCTURAL DETAILS. REFER TO THE ARCHITECTURAL DWGS FOR OVERALL DIMENSIONS (WHICH IS THE BASIS OF THE DESIGN).



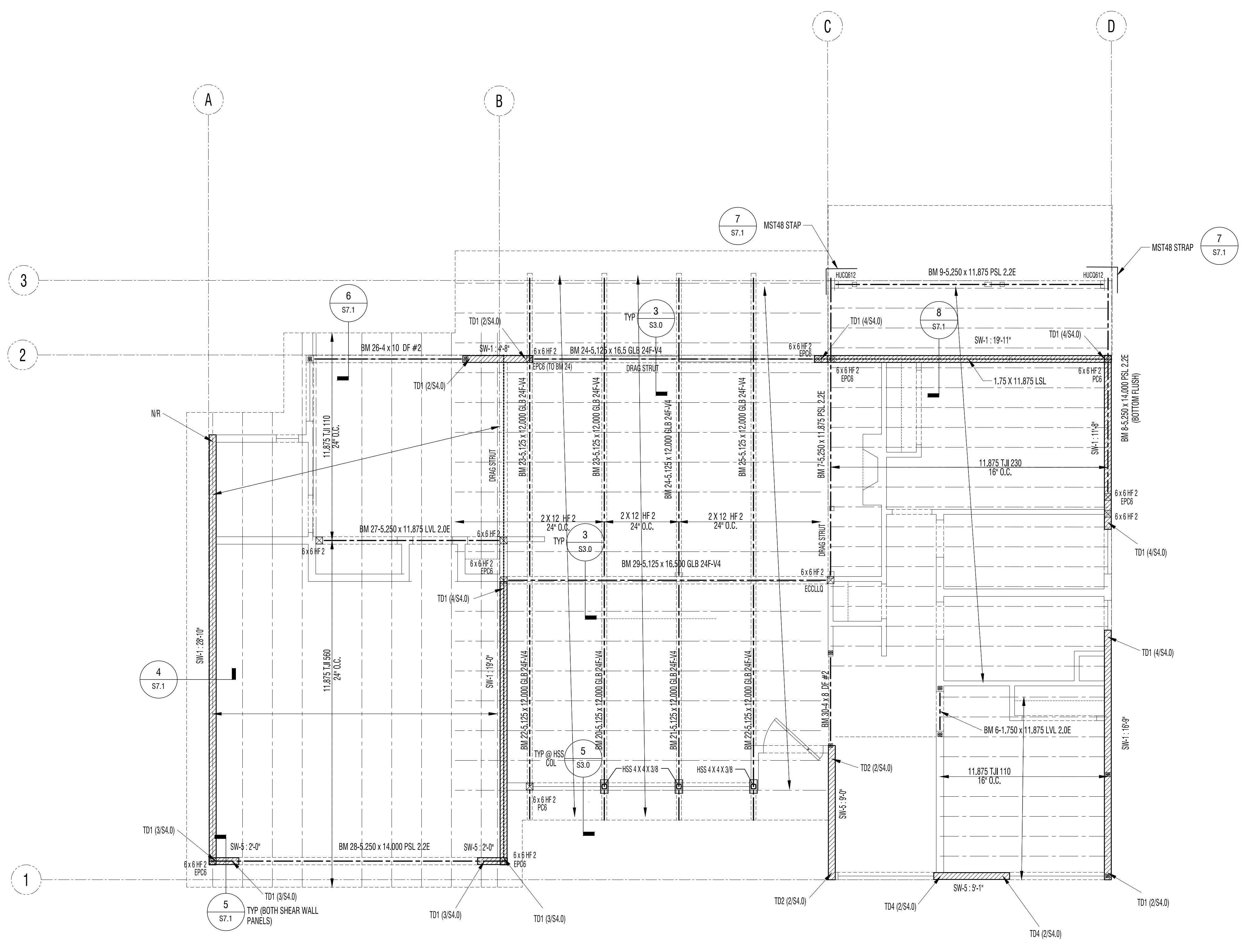
DWG TITLE	Date
FOUNDATION PLAN	5-21-2024
Number:	Revision
	CURRENT VERSION



PROJECT #
A4-3437

SHEET NO
S2.0

ALL SHEETS/DRAWINGS CONTAINED IN THIS DOCUMENT ARE PROPERTY OF CUSTOM DESIGN & ENGINEERING, INC., AND ARE LICENSED TO THE ORIGINAL PURCHASING CLIENT (CLIENT). THE CLIENT MAY NOT SUBLICENSE, ASSIGN, OR TRANSFER THIS LICENSE TO A THIRD PARTY WITHOUT A WRITTEN APPROVAL OF CUSTOM DESIGN & ENGINEERING, INC. THESE DRAWINGS MAY NOT BE REUSED FOR OTHER PROJECTS WITHOUT THE PRIOR WRITTEN PERMISSION FROM CUSTOM DESIGN & ENGINEERING, INC.

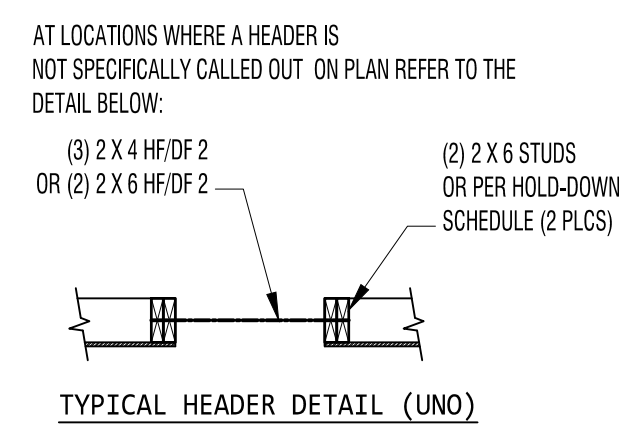


FIRST FLOOR SHEAR WALLS/ LOWER ROOF FRAMING/UPPER LEVEL FRAMING
 REFER TO THE FRAMING NOTES ON THIS SHEETS

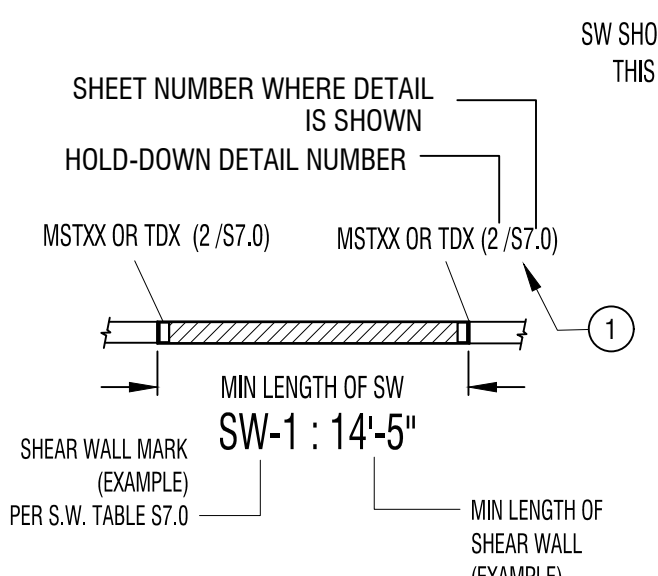
FRAMING PLAN NOTES

- ALL BEAMS SHALL BE FLUSH UNLESS NOTE OTHERWISE ON THE PLAN. WINDOWS & DOOR HEADERS SHALL BE DROPPED (SEE NOTE 9). FLUSH BEAMS HAVE FLOOR SHEATHING ATTACHED DIRECTLY. DROPPED BEAMS ARE INSTALLED BELOW FLOOR FRAMING.
- REFER TO THE TYPICAL HEADER DETAIL ON THIS SHEET FOR HEADERS NOT SPECIFICALLY CALLED OUT ON THIS PLAN. THIS DETAIL IS TYPICAL FOR NON-BEARING EXTERIOR WALLS.
- UNLESS NOTED OTHERWISE, USE (2) 2 X 4 OR (2) 2 X 6 UNDER ALL HEADERS. (3) 2 X 4 STUDS OR (2) 2 X 6 STUDS MAY BE SUBSTITUTED FOR 4 X 4 POSTS PER PLAN.
- GARAGE DOOR HEADERS (WHERE APPLICABLE) - UNLESS NOTED OTHERWISE ON THE PLAN, GARAGE DOOR HEADER BEAMS SHALL BE:
 - 4 X 10 DF/HF 2 FOR OPENINGS UP TO 9 FT.
 - 4 X 12 DF / HF 2 FOR OPENINGS UP TO 12 FT.
 - 4 X 4 DF / HF 2 SUPPORT POSTS AT EACH END OF HEADER BEAM.
- STRAPS SHOWN ON THIS LEVEL ATTACH TO WALLS ABOVE AND BELOW (CENTERED ABOUT THE JOIST RIM).
- SHEAR WALLS SHOWN ON THIS PLAN OCCUR BELOW THE FLOOR FRAMING.
- PROVIDE CONTINUOUS SOLID BEARING TO THE FOUNDATION AT GIRDER TRUSSES, HIP MASTERS, BEAMS AND HEADERS.
- IF MANUFACTURED FLOOR JOISTS ARE USED IN LIEU OF SOLID FRAMING (IF APPLICABLE), PROVIDE SHOP DRAWINGS FOR REVIEW.
- FLOOR SHEATHING & NAILING:
 - FLOOR SHEATHING SHALL BE 3/4" T & G.
 - NAIL WITH 10d @ 6" O.C. AT PERIMETER AND 10d @ 12" O.C. IN THE FIELD - UNLESS OTHERWISE NOTED ON PLAN.
- WALL TOP PLATE REQUIREMENTS - ALL TOP PLATES OF WALLS SHALL BE DOUBLE 2 X 6 (OR 2 X 4 IF ALLOWED). THE TOP PLATES MUST BE CONTINUOUS OVER HEADERS. DO NOT CUT DOUBLE TOP PLATES UNLESS ALLOWED PER THE FRAMING PLAN.

HEADERS IN NON LOAD BEARING WALLS



SEISMIC FORCE RESISTING SYSTEM (WOOD SHEAR WALLS)



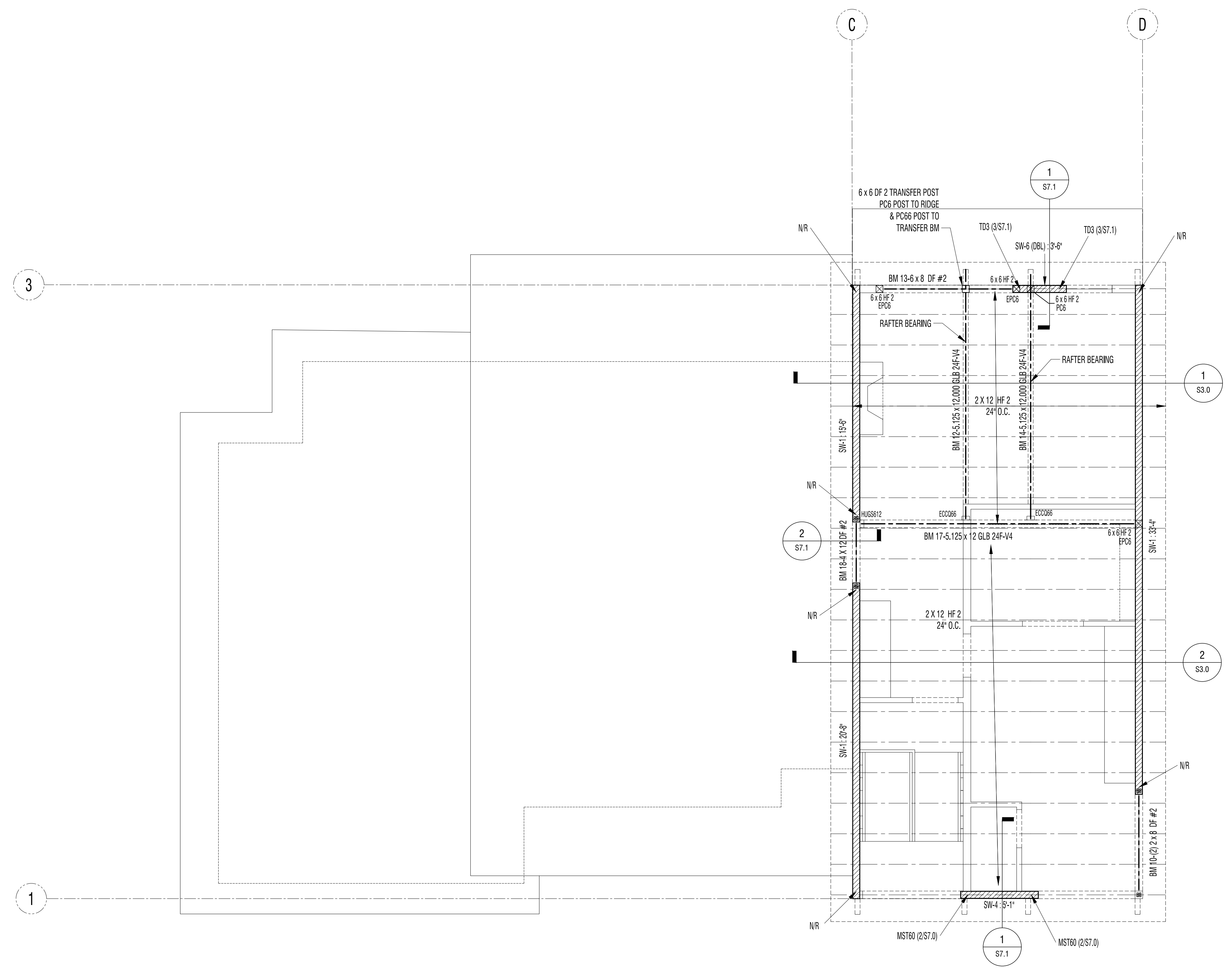
ABBREVIATIONS

- SW = SHEAR WALL
 TD = TIE DOWN PER SW SCHEDULE @ S7.0
 N/R = NO HOLD-DOWN REQ'D
- ① MSTXXX = MIST STYLE STRAP
 TDX (TIE DOWN) PER HOLD-DOWN SCHEDULE ON S7.0 (EACH-END OF S.W.)

DRAWING SYMBOL LEGEND

- [Symbol] = POST/COLUMN SUPPORTED BY A BEAM. DOES NOT CONTINUE TO FLOOR BELOW.
- [Symbol] = POST/COLUMN SUPPORTING A BEAM. (CONTINUES THRU THE FLOOR)
- [Symbol] = MULTI-PLY (2 MAX) 2 X STUD COLUMN. USE 2 - 2 X 4 FOR 2 X 4 WALLS & 2 - 2 X 6 FOR 2 X 6 WALLS. TYPICAL (UNO)
- [Symbol] = TYPICAL BEAM TO BEAM CONNECTION
- GT = GIRDER TRUSS
- [Symbol] = TYPICAL MULTI PLY BEAM EXAMPLE BM 6-(2) 2 x 6 DF #2 NUMBER OF PLYS

ALL SHEETS/DRAWINGS CONTAINED IN THIS DOCUMENT ARE PROPERTY OF CUSTOM DESIGN & ENGINEERING, INC., AND ARE LICENSED TO THE ORIGINAL PURCHASING CLIENT (CLIENT). THE CLIENT MAY NOT SUBLICENSE, ASSIGN, OR TRANSFER THIS LICENSE TO A THIRD PARTY WITHOUT A WRITTEN APPROVAL OF CUSTOM DESIGN & ENGINEERING, INC. THESE DRAWINGS MAY NOT BE REUSED FOR OTHER PROJECTS WITHOUT THE PRIOR WRITTEN PERMISSION FROM CUSTOM DESIGN & ENGINEERING, INC.

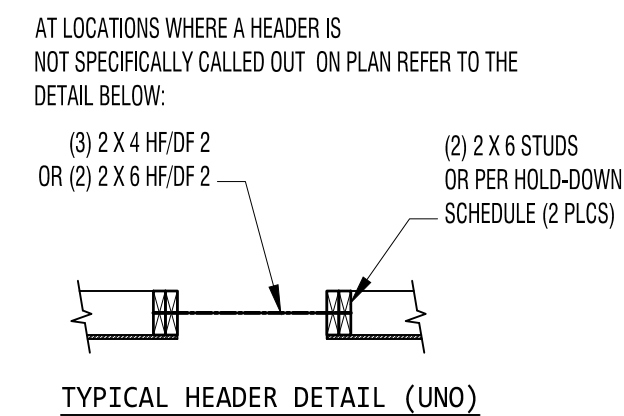


SECOND FLOOR SHEAR WALLS/ ROOF FRAMING
 REFER TO THE FRAMING NOTES ON THIS SHEETS

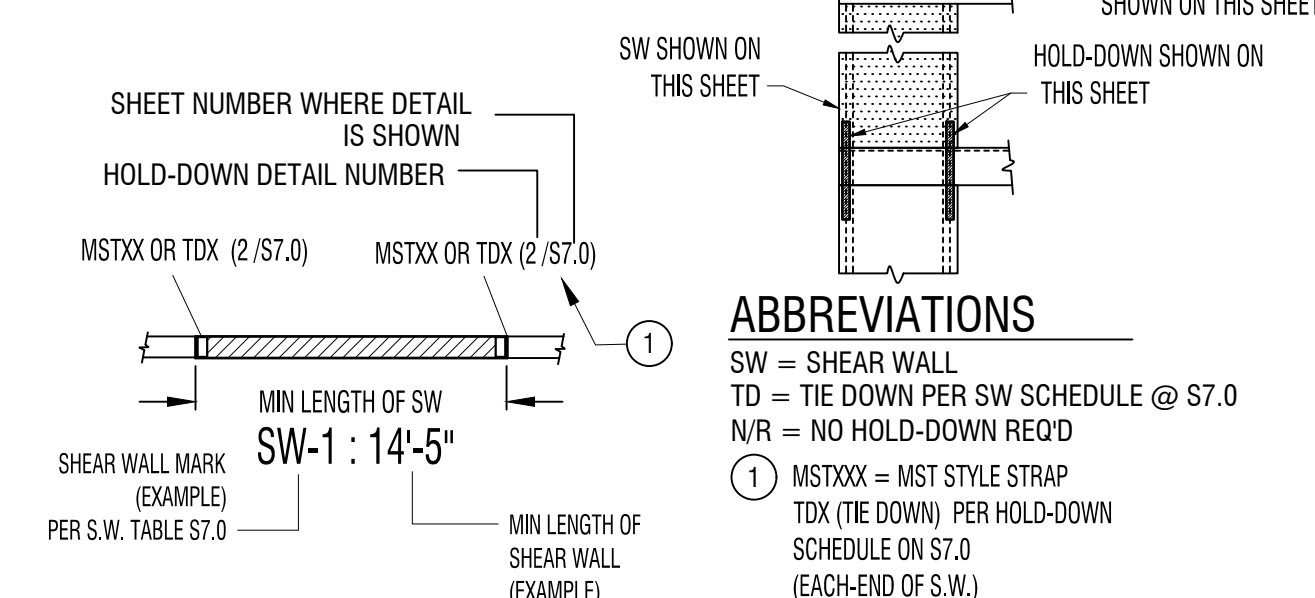
FRAMING PLAN NOTES

- ALL BEAMS SHALL BE FLUSH UNLESS NOTE OTHERWISE ON THE PLAN. WINDOWS & DOOR HEADERS SHALL BE DROPPED (SEE NOTE 9). FLUSH BEAMS HAVE FLOOR SHEATHING ATTACHED DIRECTLY. DROPPED BEAMS ARE INSTALLED BELOW FLOOR FRAMING.
- REFER TO THE TYPICAL HEADER DETAIL ON THIS SHEET FOR HEADERS NOT SPECIFICALLY CALLED OUT ON THIS PLAN. THIS DETAIL IS TYPICAL FOR NON-BEARING EXTERIOR WALLS.
- UNLESS NOTED OTHERWISE, USE (2) 2 X 4 OR (2) 2 X 6 UNDER ALL HEADERS. (3) 2 X 4 STUDS OR (2) 2 X 6 STUDS MAY BE SUBSTITUTED FOR 4 X 4 POSTS PER PLAN.
- GARAGE DOOR HEADERS (WHERE APPLICABLE) - UNLESS NOTED OTHERWISE ON THE PLAN. GARAGE DOOR HEADER BEAMS SHALL BE:
 - 4 X 10 DF/HF 2 FOR OPENINGS UP TO 9 FT;
 - 4 X 12 DF / HF 2 FOR OPENINGS UP TO 12 FT.
 - 4 X 4 DF / HF 2 SUPPORT POSTS AT EACH END OF HEADER BEAM.
- STRAPS SHOWN ON THIS LEVEL ATTACH TO WALLS ABOVE AND BELOW (CENTERED ABOUT THE JOIST RIM).
- SHEAR WALLS SHOWN ON THIS PLAN OCCUR BELOW THE FLOOR FRAMING.
- PROVIDE CONTINUOUS SOLID BEARING TO THE FOUNDATION AT GIRDER TRUSSES, HIP MASTERS, BEAMS AND HEADERS.
- IF MANUFACTURED FLOOR JOISTS ARE USED IN LIEU OF SOLID FRAMING (IF APPLICABLE), PROVIDE SHOP DRAWINGS FOR REVIEW.
- FLOOR SHEATHING & NAILING:
 - FLOOR SHEATHING SHALL BE 5/8" T & G.
 - NAIL WITH 10d @ 6" O.C. AT PERIMETER AND 10d @ 12" O.C. IN THE FIELD - UNLESS OTHERWISE NOTED ON PLAN.
- WALL TOP PLATE REQUIREMENTS - ALL TOP PLATES OF WALLS SHALL BE DOUBLE 2 X 6 (OR 2 X 4 IF ALLOWED), THE TOP PLATES MUST BE CONTINUOUS OVER HEADERS. DO NOT CUT DOUBLE TOP PLATES UNLESS ALLOWED PER THE FRAMING PLAN.

HEADERS IN NON LOAD BEARING WALLS



SEISMIC FORCE RESISTING SYSTEM (WOOD SHEAR WALLS)



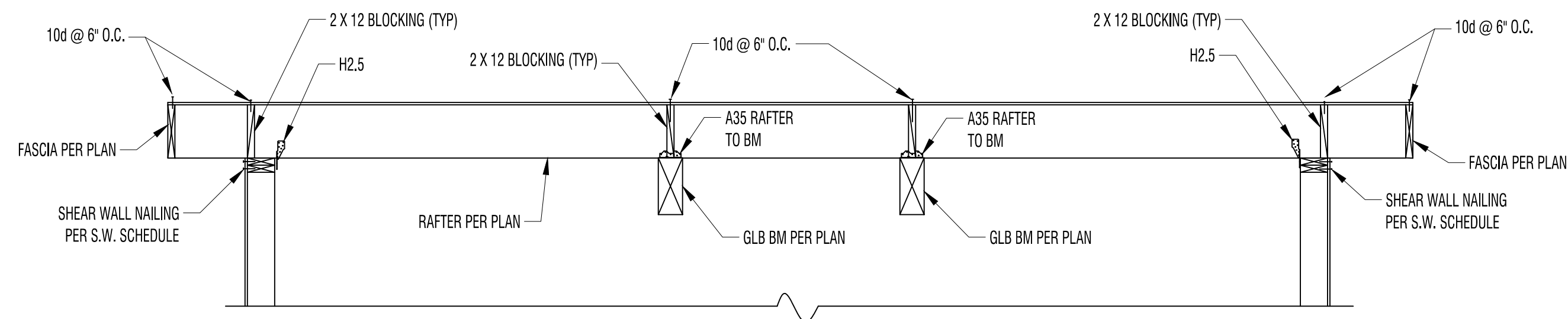
ABBREVIATIONS

- SW = SHEAR WALL
 TD = TIE DOWN PER SW SCHEDULE @ S7.0
 NR = NO HOLD-DOWN REQ'D
 ① MSTXXX = MST STYLE STRAP
 TDX (TIE DOWN) PER HOLD-DOWN SCHEDULE ON S7.0 (EACH-END OF S.W.)

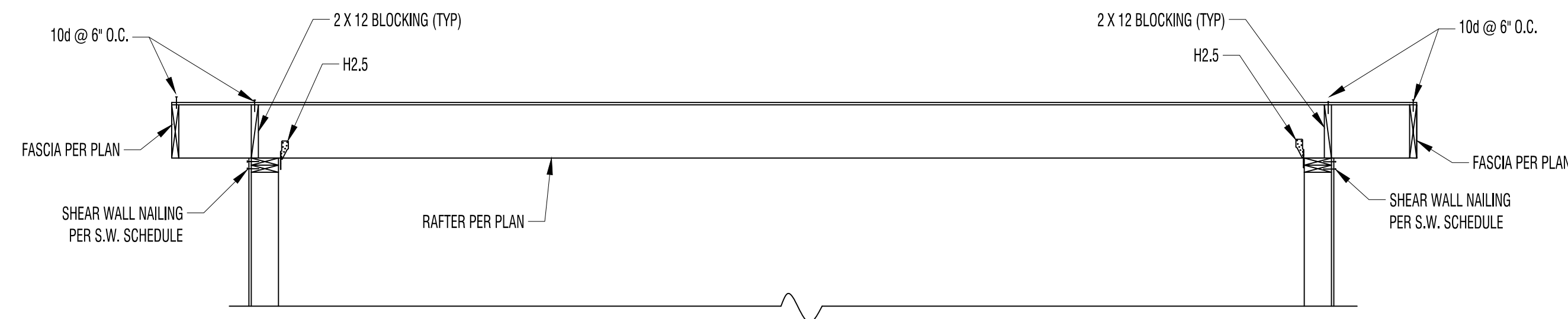
DRAWING SYMBOL LEGEND

- [Symbol] = POST/COLUMN SUPPORTED BY A BEAM. DOES NOT CONTINUE TO FLOOR BELOW.
- [Symbol] = POST/COLUMN SUPPORTING A BEAM. (CONTINUES THRU THE FLOOR)
- [Symbol] = MULTI-PLY (2 MAX) 2 X STUD COLUMN. USE 2 -2 X 4 FOR 2 X 4 WALLS & 2 - 2 X 6 FOR 2 X 6 WALLS. TYPICAL (UNO)
- [Symbol] = TYPICAL BEAM TO BEAM CONNECTION
- GT = GIRDER TRUSS
- TYPICAL MULTI PLY BEAM EXAMPLE: BM 6-(2) 2 x 6 DF #2

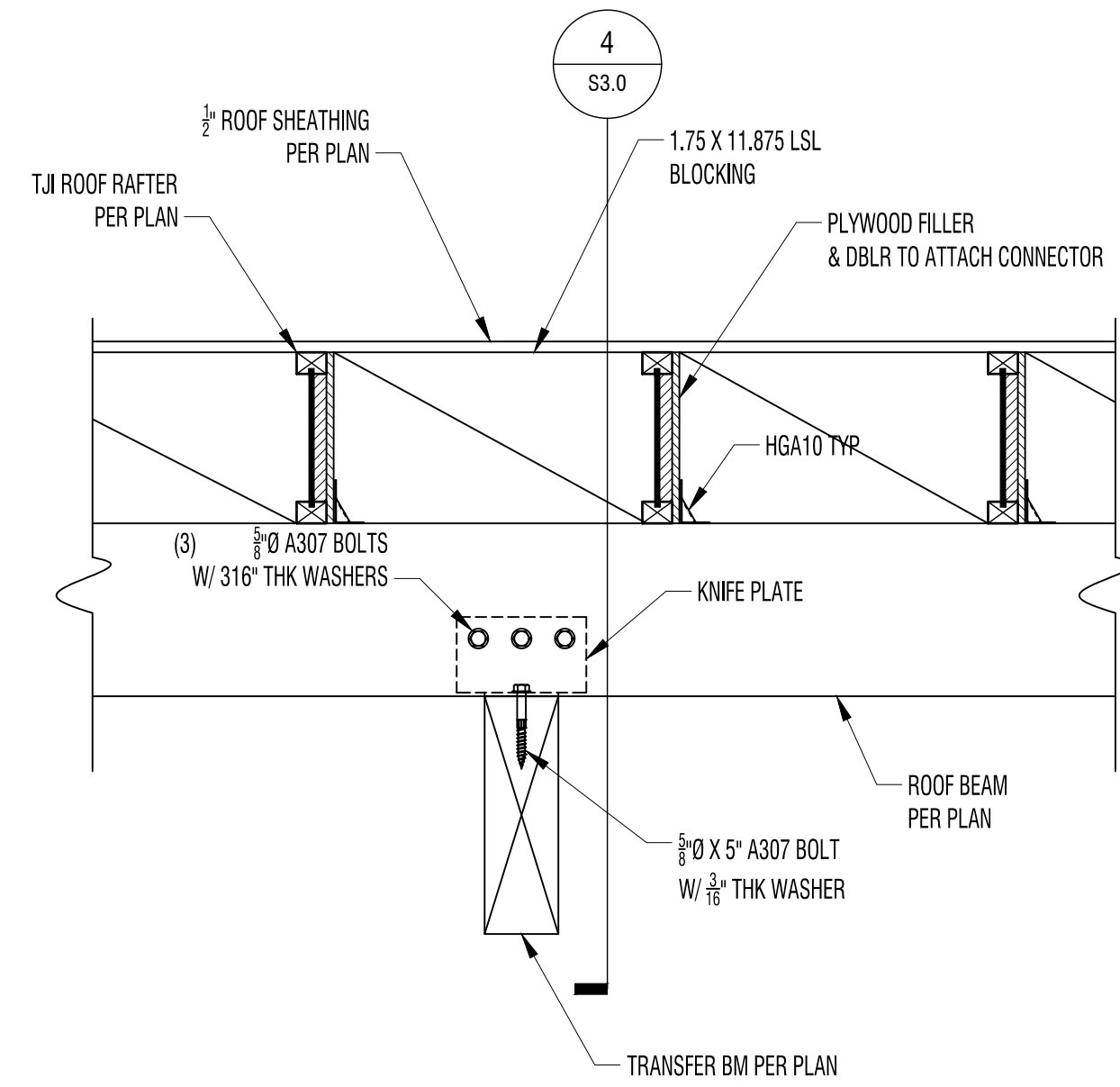
ALL SHEETS/DRAWINGS CONTAINED IN THIS DOCUMENT ARE PROPERTY OF CUSTOM DESIGN & ENGINEERING, INC., AND ARE LICENSED TO THE ORIGINAL PURCHASING CLIENT (CLIENT). THE CLIENT MAY NOT SUBLICENSE, ASSIGN, OR TRANSFER THIS LICENSE TO A THIRD PARTY WITHOUT A WRITTEN APPROVAL OF CUSTOM DESIGN & ENGINEERING, INC. THESE DRAWINGS MAY NOT BE REUSED FOR OTHER PROJECTS WITHOUT THE PRIOR WRITTEN PERMISSION FROM CUSTOM DESIGN & ENGINEERING, INC.



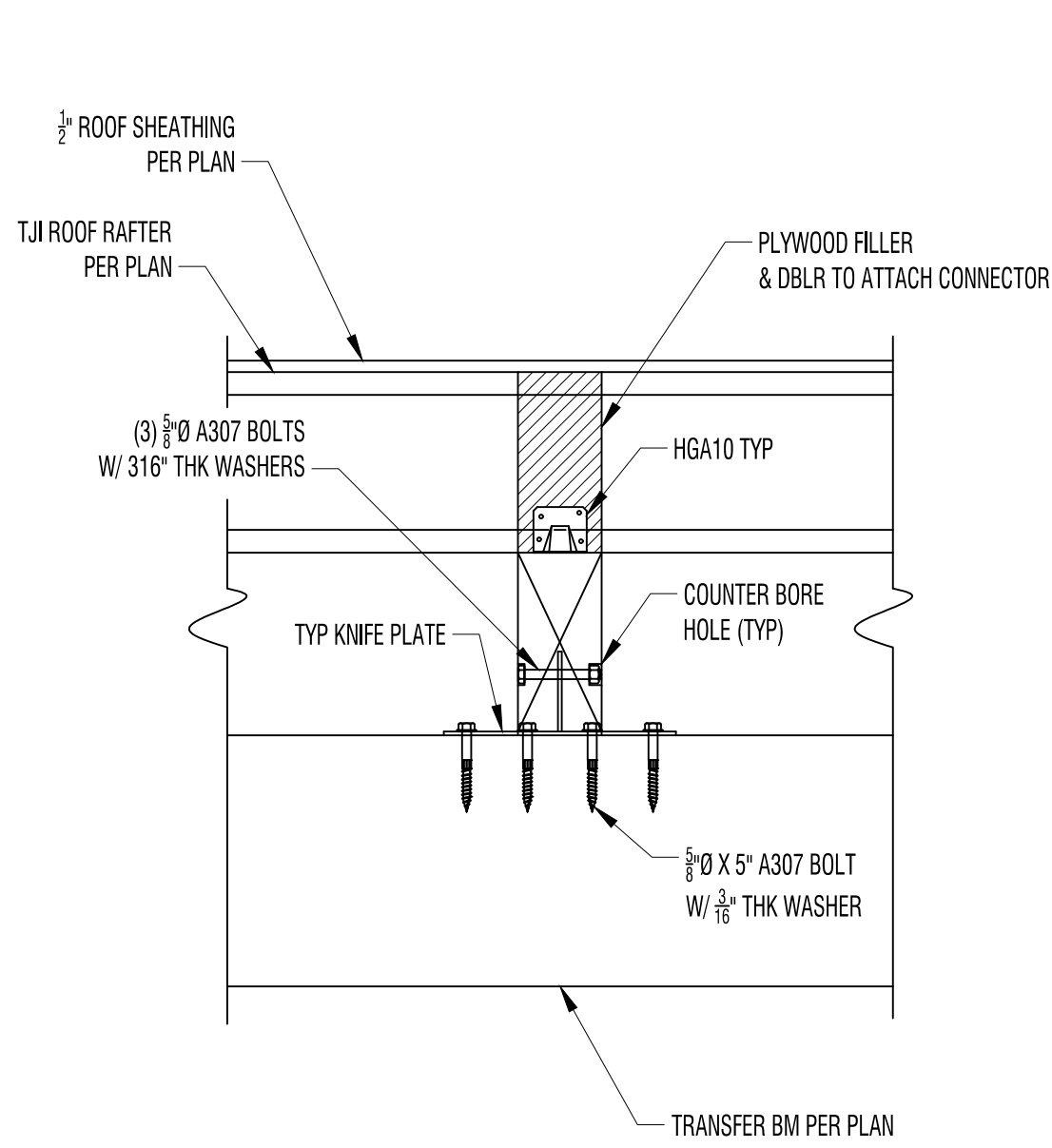
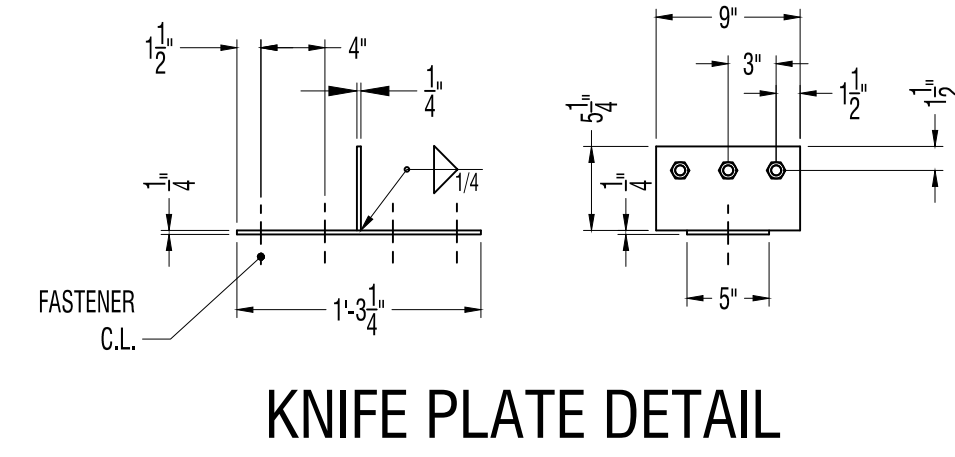
1 SECTION GLB AND RAFTERS
NO SCALE



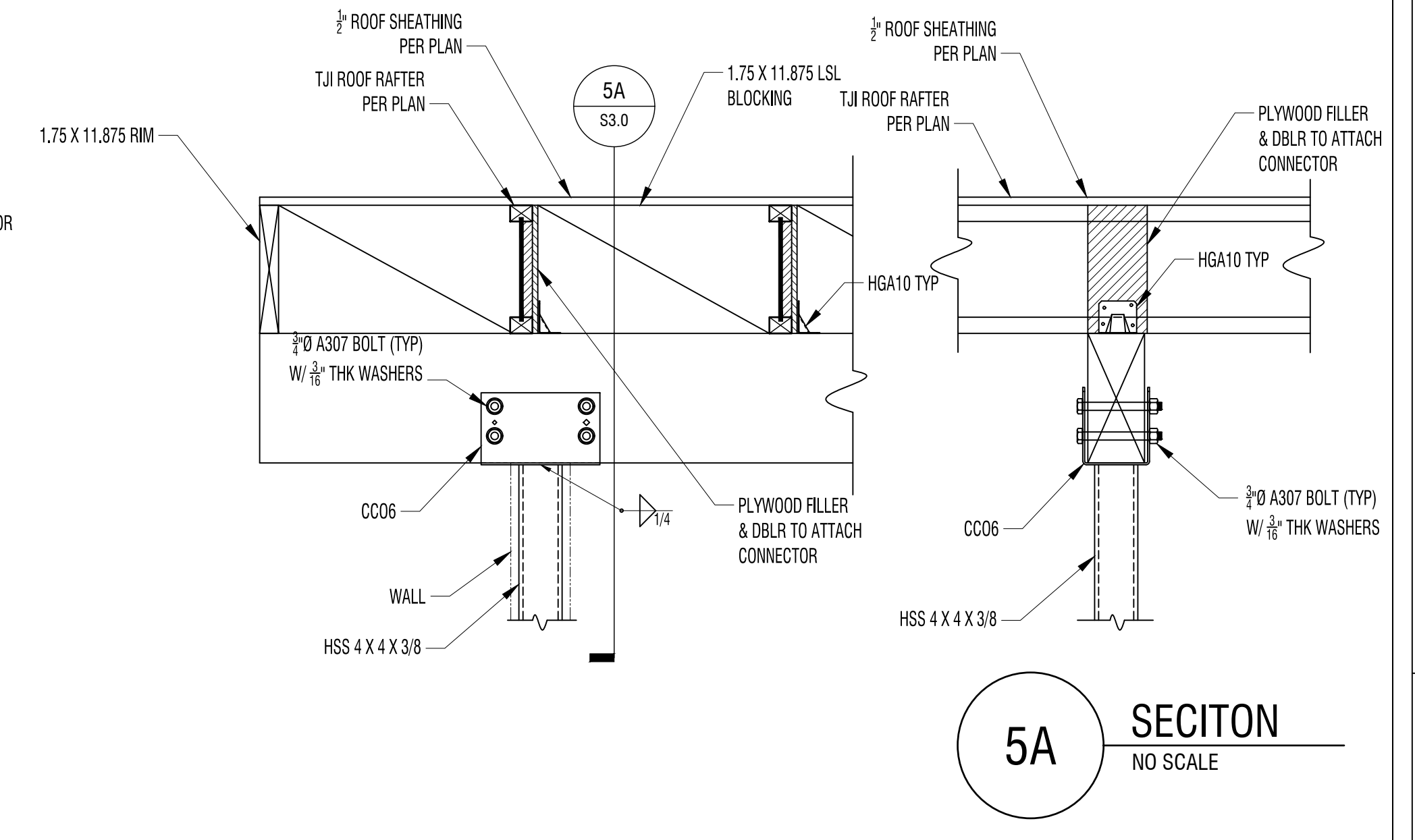
2 SECTION RAFTERS
NO SCALE



3 ROOF BEAM TO TRANSFER BM JOINT
NO SCALE



4 ROOF BEAM TO TRANSFER BM JOINT
NO SCALE



5 ROOF BEAM TO HSS COLUMN
NO SCALE

5A SECTION
NO SCALE

CUSTOM DESIGN
& ENGINEERING, INC.
STRUCTURAL ANALYSIS & DESIGN
WWW.CDENGR.COM
MUKILTEO, WA
(425) 343-7517
email: mail@cdengr.com

PROJECT NAME: JEFF RUDD RESIDENCE

PROJECT ADDRESS:
8032 SE 57TH ST
MERCER ISLAND WA 98040

DWG TITLE: STRUCTURAL SECTIONS

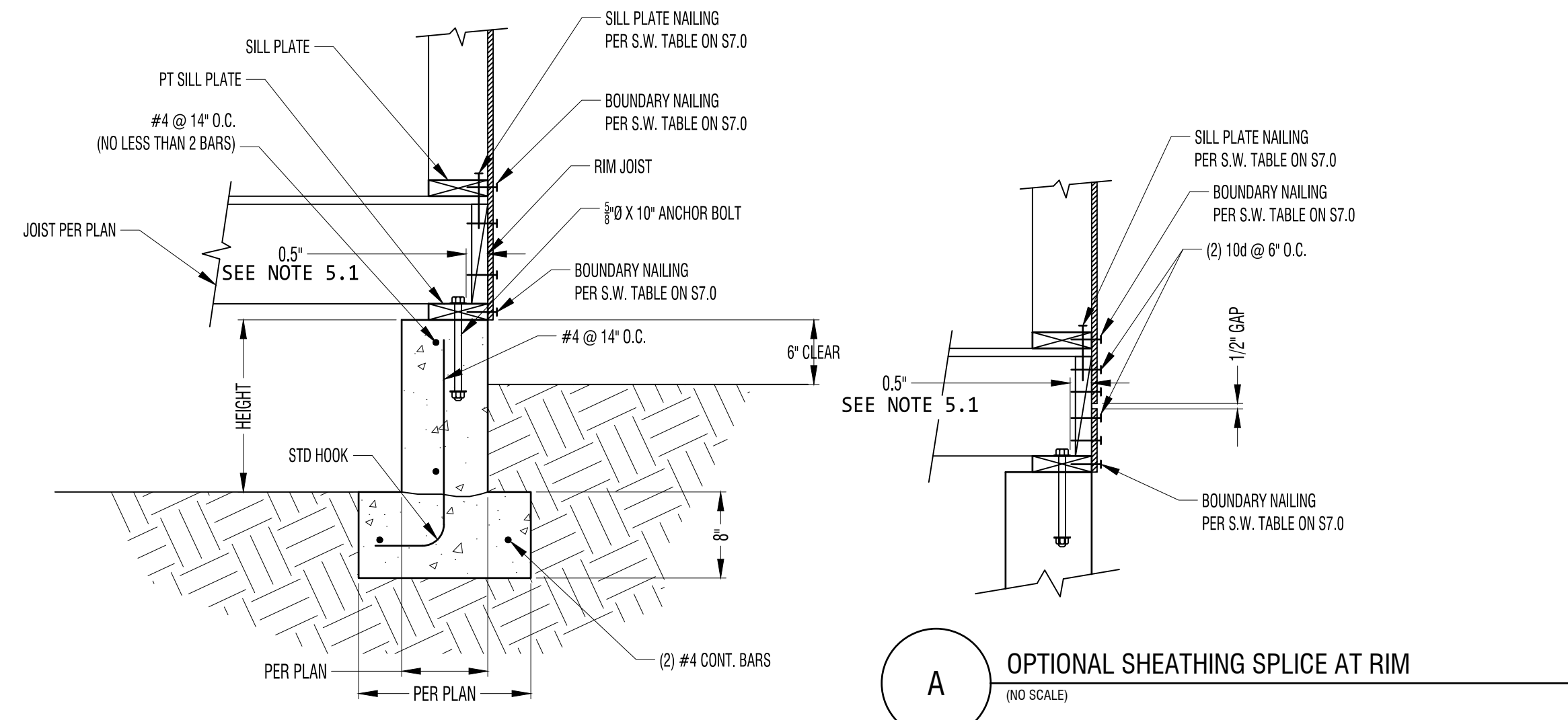
Number: 34923
Revision: CURRENT VERSION
Date: 5-21-2024



PROJECT #
A4-3437

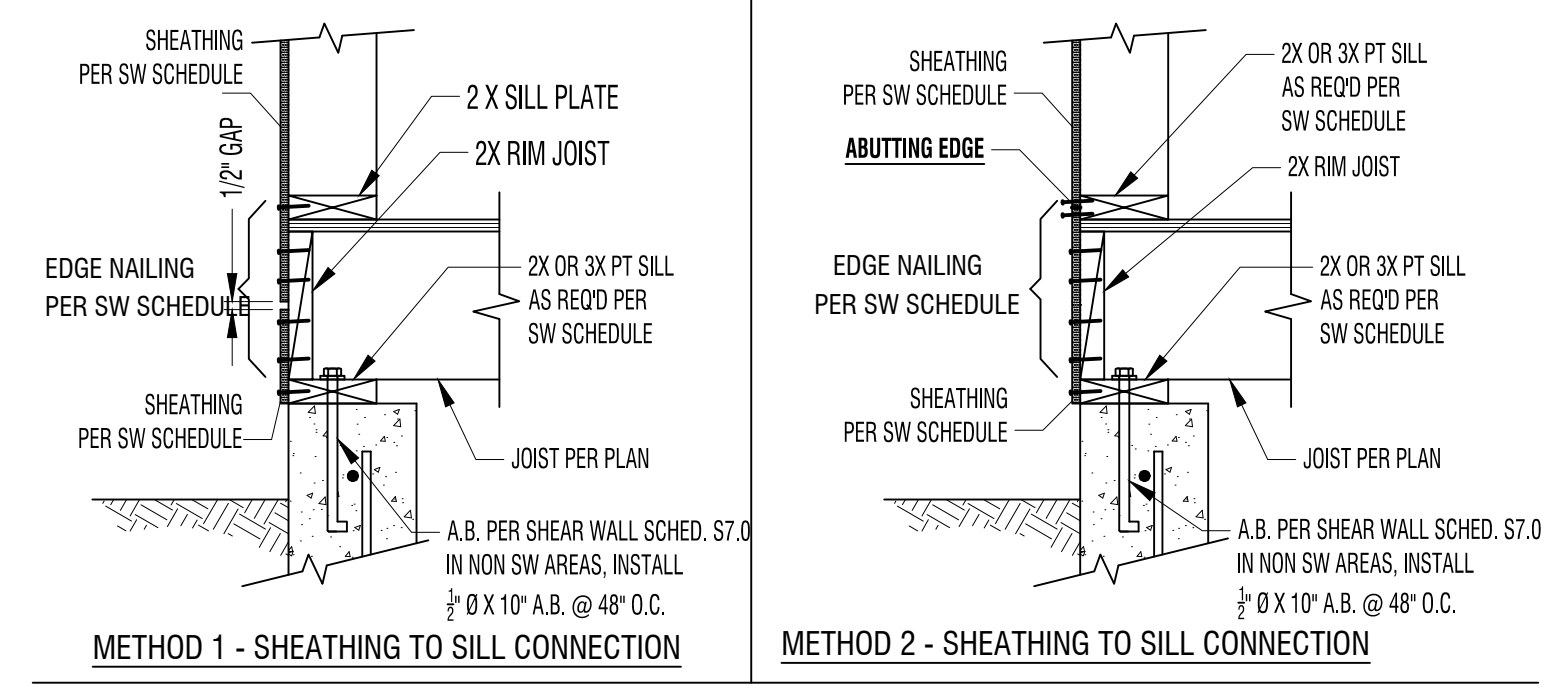
SHEET NO
S3.0

ALL SHEETS/DRAWINGS CONTAINED IN THIS DOCUMENT ARE PROPERTY OF CUSTOM DESIGN & ENGINEERING, INC., AND ARE LICENSED TO THE ORIGINAL PURCHASING CLIENT (CLIENT). THE CLIENT MAY NOT SUBLICENSE, ASSIGN, OR TRANSFER THIS LICENSE TO A THIRD PARTY WITHOUT A WRITTEN APPROVAL OF CUSTOM DESIGN & ENGINEERING, INC. THESE DRAWINGS MAY NOT BE REUSED FOR OTHER PROJECTS WITHOUT THE PRIOR WRITTEN PERMISSION FROM CUSTOM DESIGN & ENGINEERING, INC.

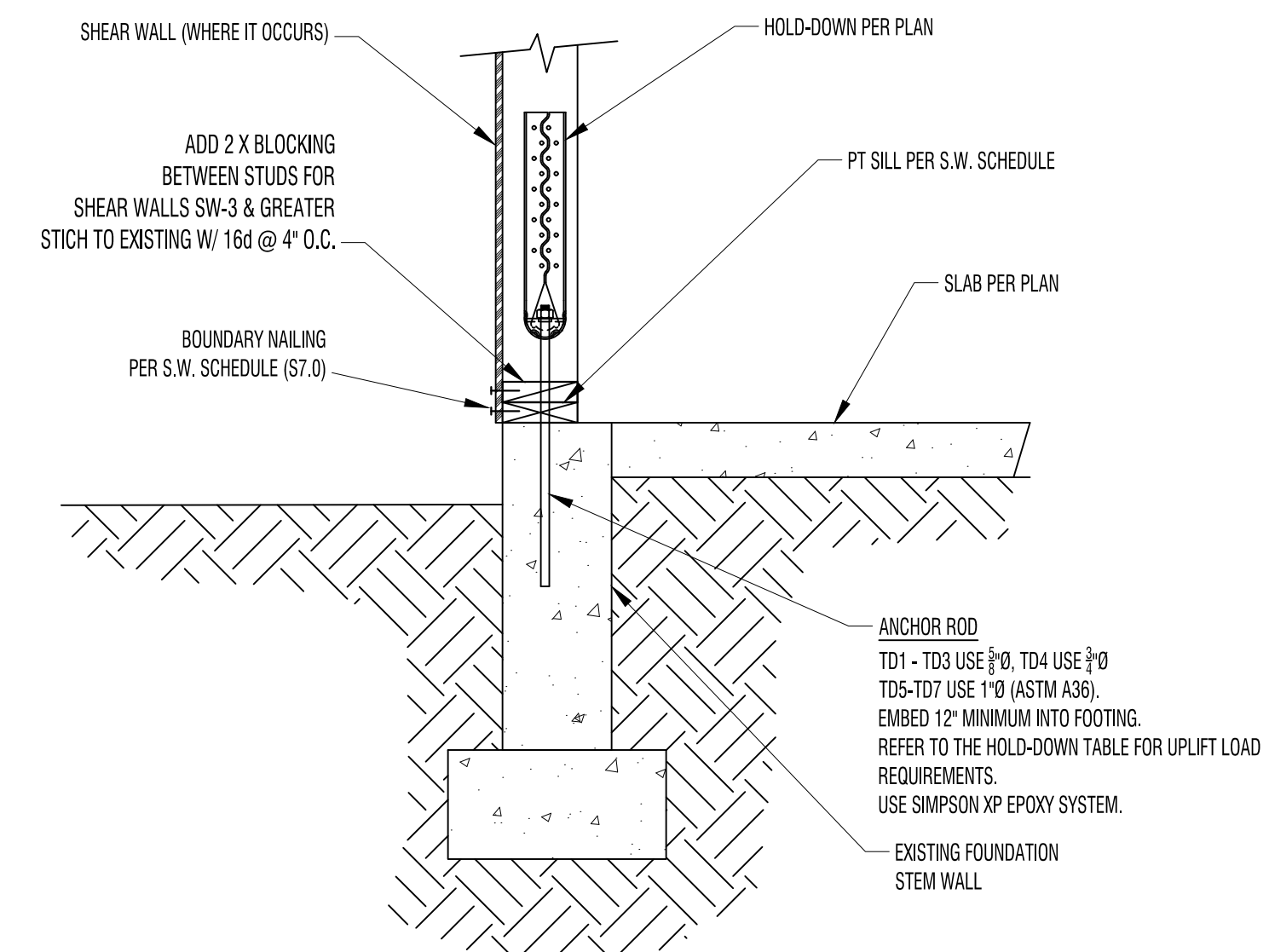
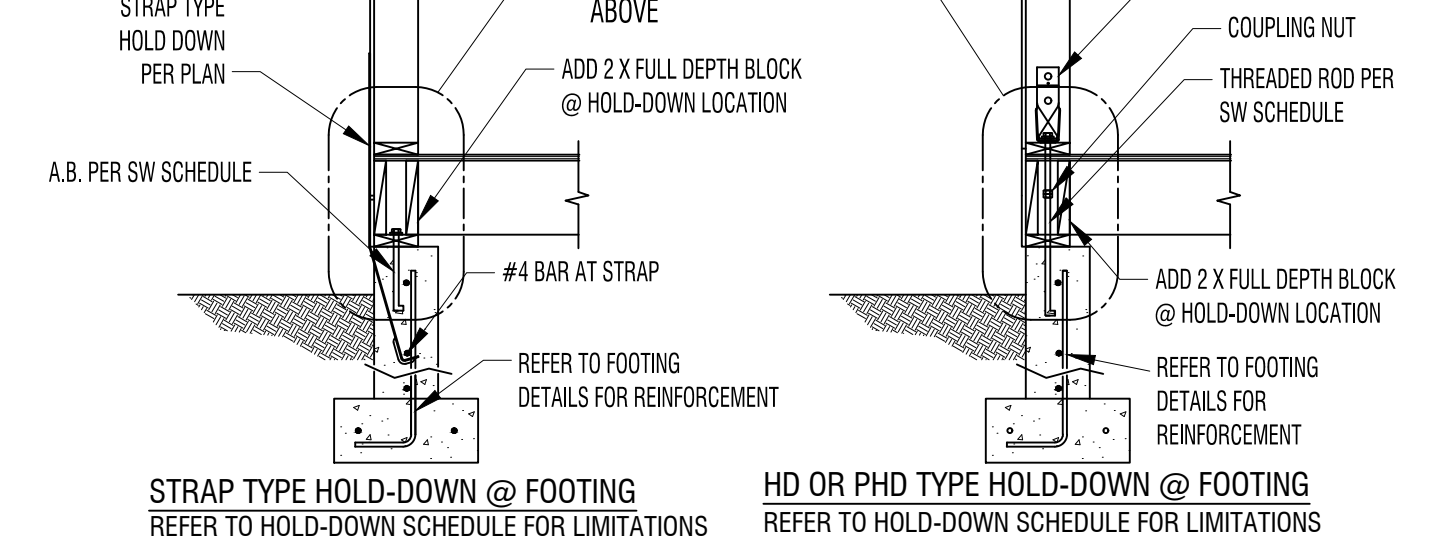


1 TYPICAL FOOTING WITH CRAWLSPACE
(NO SCALE)

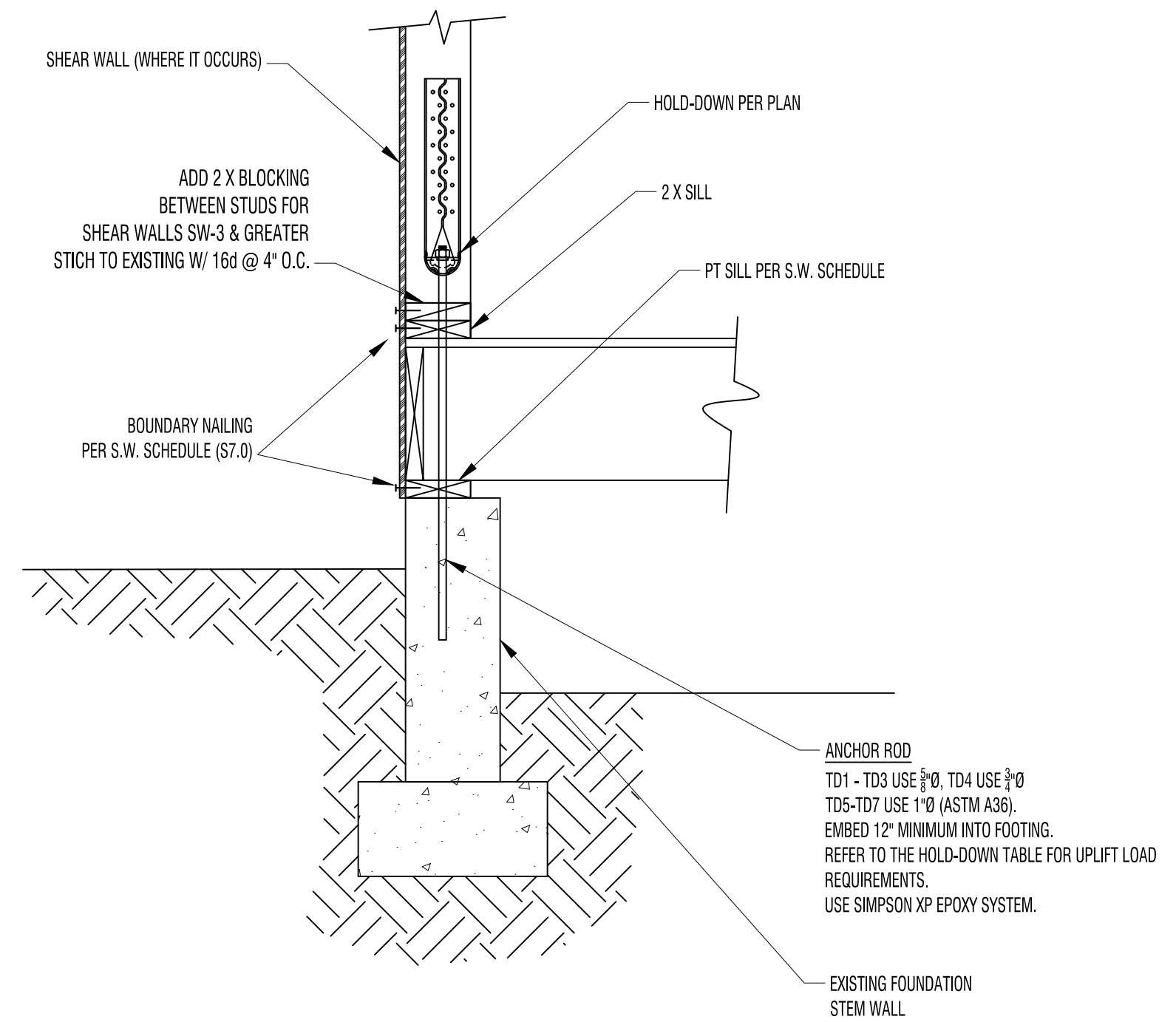
- NOTES:
1. MAXIMUM ALLOWED HEIGHT OF WALL IS 4 FT.
 2. 3" COVER REQ'D FOR ALL REINFORCEMENT.
 3. USE GRADE 40 OR GRADE 60 REINFORCEMENT.
 4. REFER TO SHEAR WALL TABLE ON S7.0 FOR THE BOLTED SILL PLATE. 3 X REQUIRED FOR SW-3 AND GREATER.
 5. ANCHOR BOLT (A.B.) REQUIREMENTS:
 - 5.1. ALL WASHERS SHALL BE 3 X 3 X 3/4" PLATE. MAX DISTANCE FROM EDGE OF PLATE WASHER TO SHEATHING SHALL BE 1/2".
 - 5.2. SPACE A.B. @ 48" O.C. IN NON SHEAR WALLS.
 - 5.3. FOR A.B. AS SPECIFIED PER THE SHEAR WALL (S.W.) PLANS, REFER TO S.W. TABLE ON S7.0.



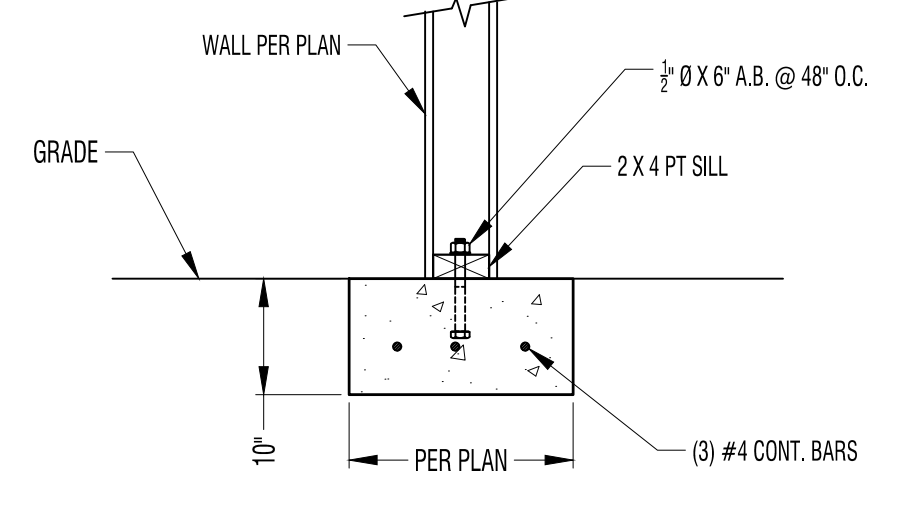
2 TYPICAL HOLD-DOWN ATTACHED ABOVE FLOOR FRAMING
(NO SCALE)



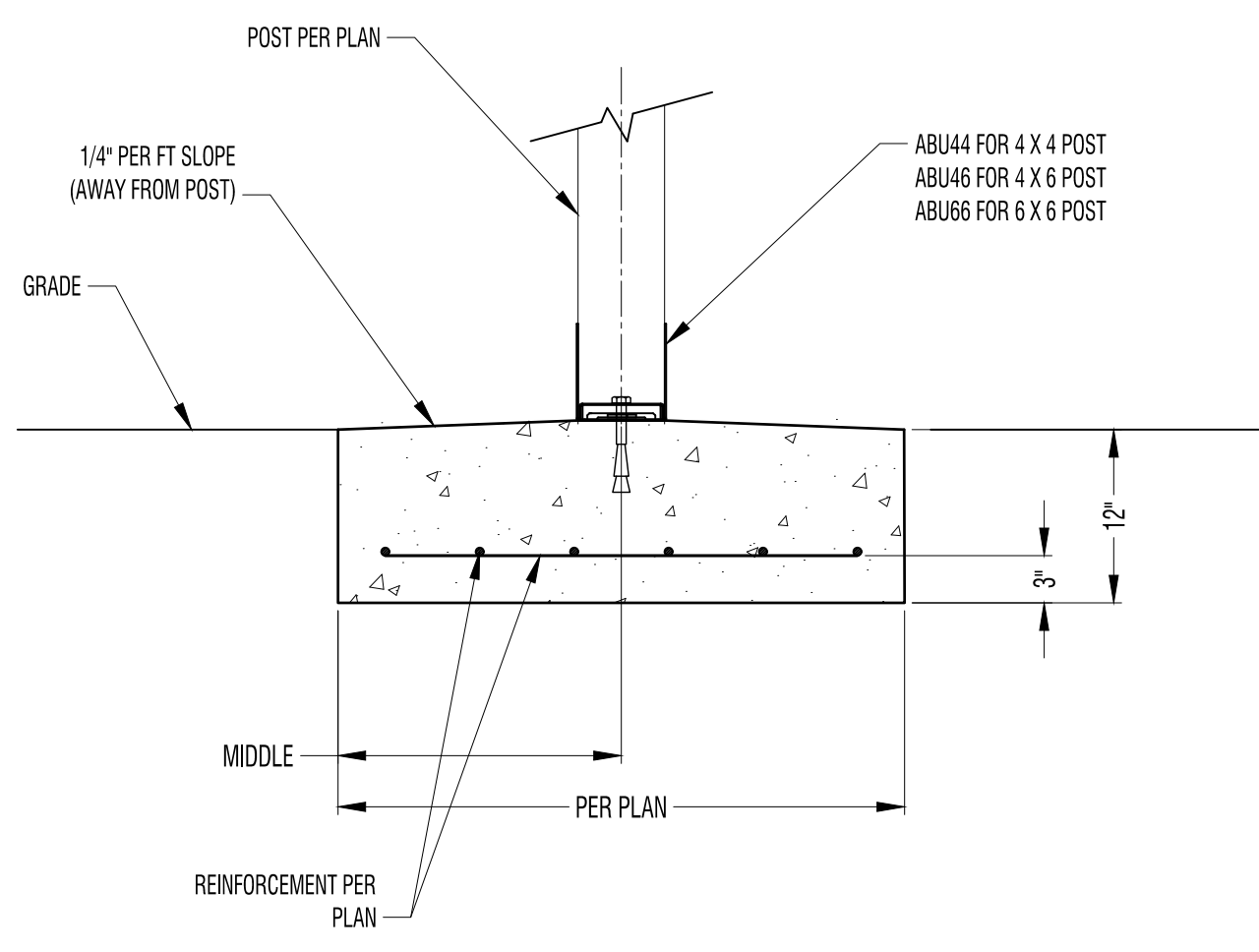
3 POST INSTALLED ANCHOR DETAIL - AT SLAB LEVEL
SPECIAL INSPECTION AND OBSERVATION REQUIRED TO ENSURE EPOXY SYSTEM IS APPLIED PER MANUFACTURERS REQUIREMENTS



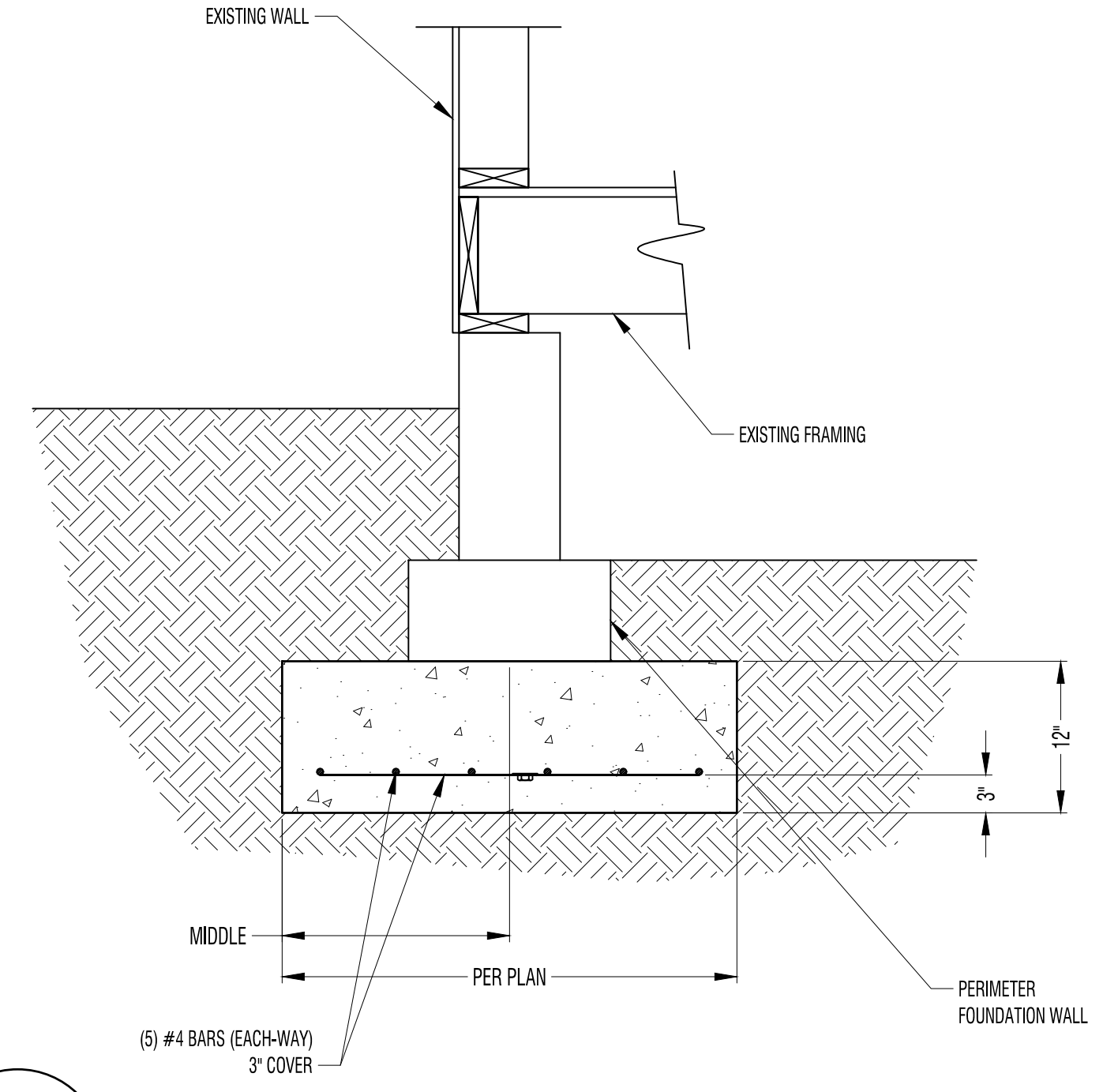
4 POST INSTALLED ANCHOR DETAIL - AT CRAWL SPACE
SPECIAL INSPECTION AND OBSERVATION REQUIRED TO ENSURE EPOXY SYSTEM IS APPLIED PER MANUFACTURERS REQUIREMENTS



5 NEW CONT. FOOTING ON GRADE



6 INTERIOR FOOTING
(NO SCALE)
NOTES:
1) REINFORCEMENT IN EACH DIRECTION
2) 3" COVER IS REQUIRED

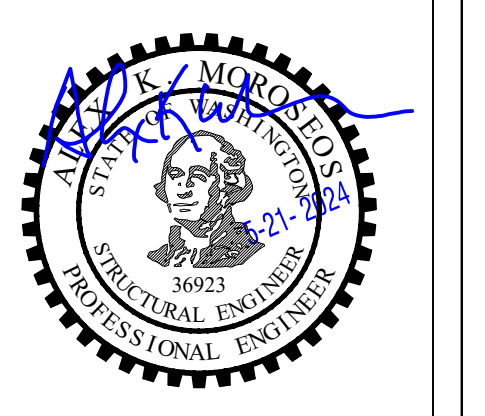


7 NEW FOOTING BELOW EXISTING FOOTING
(NO SCALE)
NOTES:
1. AT RECTANGULAR FOOTINGS: USE (5) #4 BAR IN THE LONGITUDINAL DIRECTION AND #4 BAR @ 10" O.C. FOR THE TRANSVERSE (BUT NO LESS THAN (5) #4 BARS).
2. 3" COVER REQUIRED FOR ALL REINFORCEMENT.

CUSTOM DESIGN & ENGINEERING, INC.
STRUCTURAL ANALYSIS & DESIGN
WWW.CDENGR.COM
MUKILTEO, WA
(425) 343-7517
email: mail@cdengr.com

PROJECT NAME: JEFF RUDD RESIDENCE
PROJECT ADDRESS: 8032 SE 57TH ST
MERCER ISLAND WA 98040

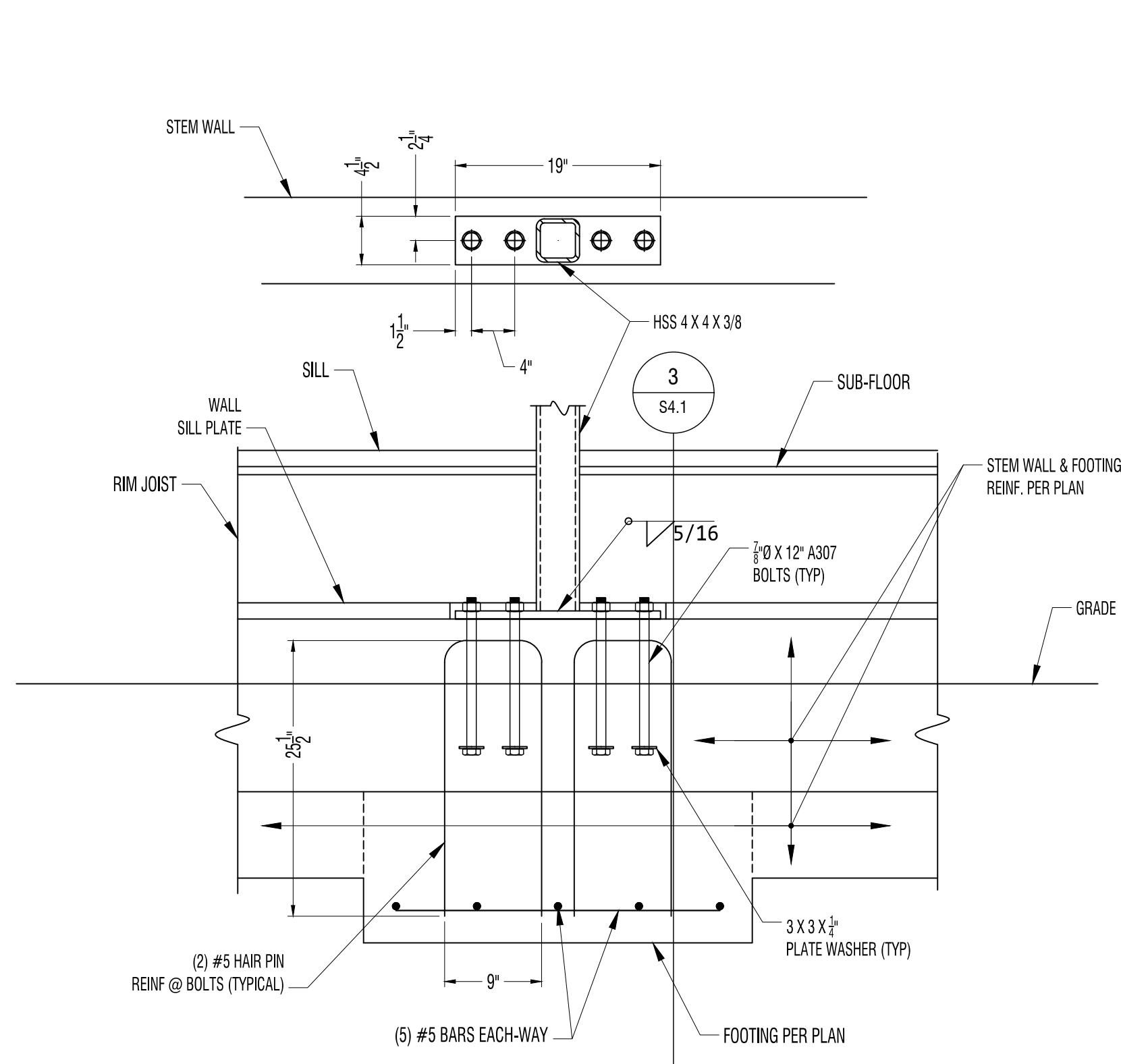
DWG TITLE: FOUNDATION DETAILS
Date: 5-21-2024
Revision: CURRENT VERSION
Number:



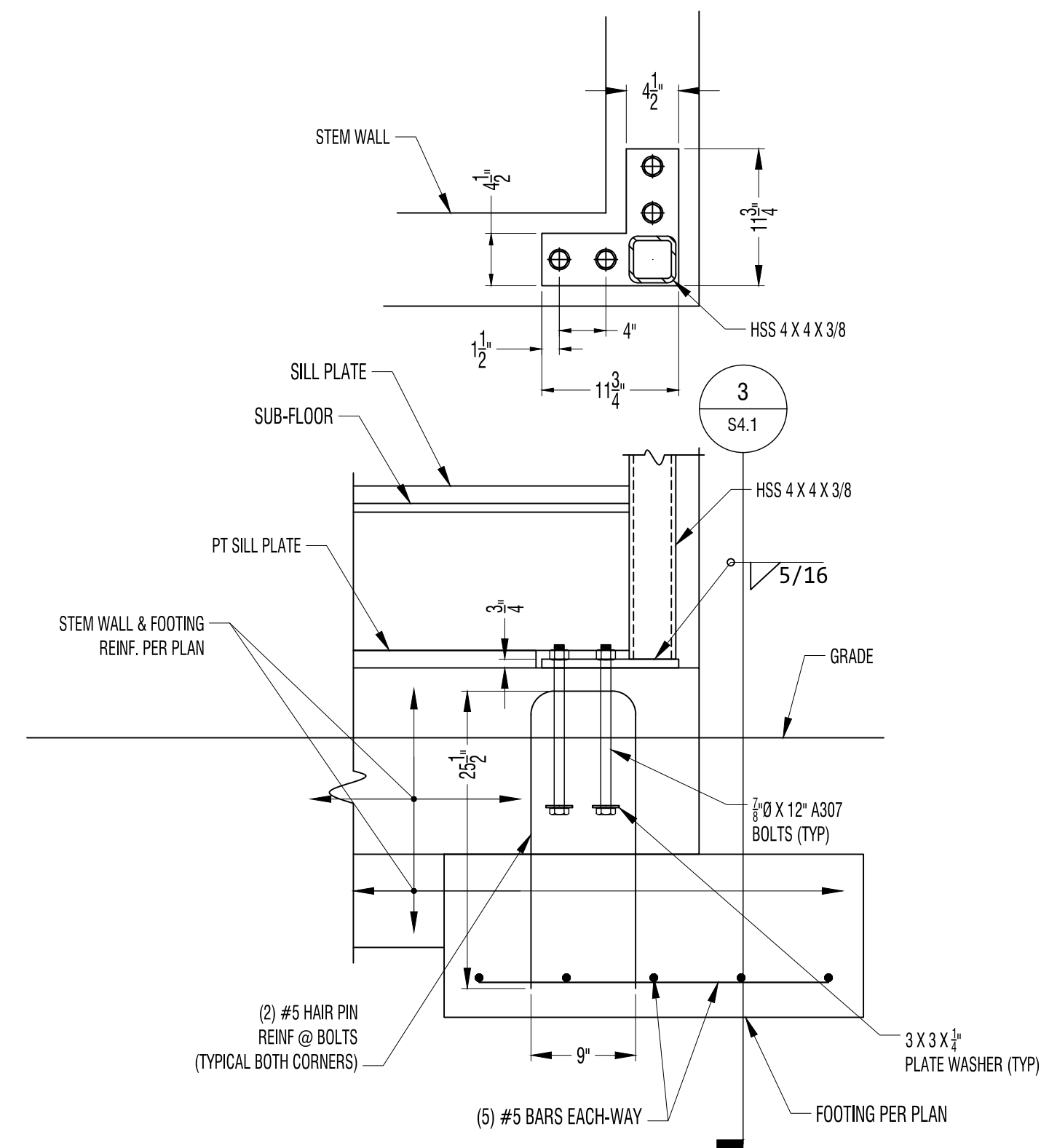
PROJECT #
A4-3437

SHEET NO
S4.0

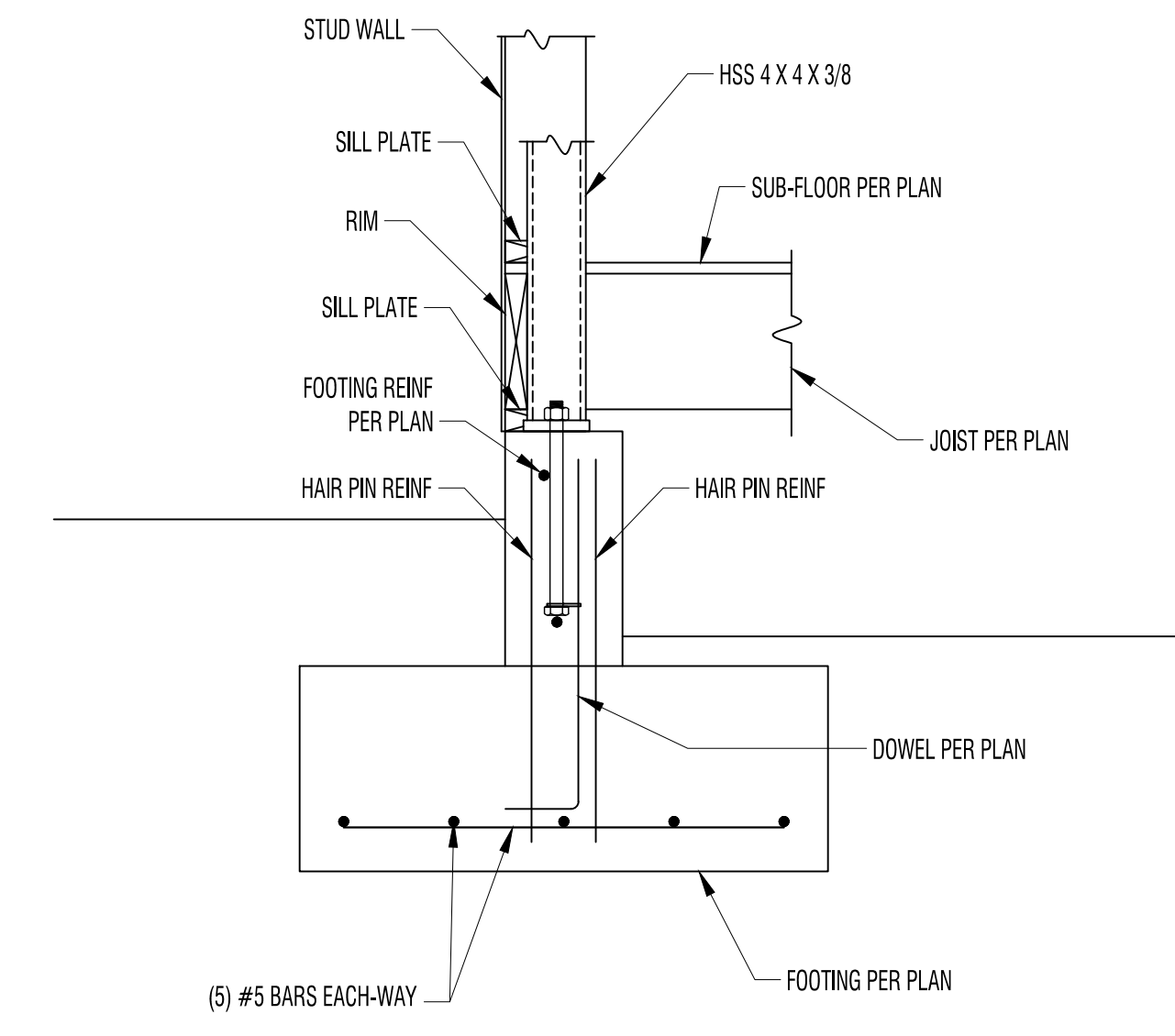
ALL SHEETS/DRAWINGS CONTAINED IN THIS DOCUMENT ARE PROPERTY OF CUSTOM DESIGN & ENGINEERING, INC., AND ARE LICENSED TO THE ORIGINAL PURCHASING CLIENT (CLIENT). THE CLIENT MAY NOT SUBLICENSE, ASSIGN, OR TRANSFER THIS LICENSE TO A THIRD PARTY WITHOUT A WRITTEN APPROVAL OF CUSTOM DESIGN & ENGINEERING, INC. THESE DRAWINGS MAY NOT BE REUSED FOR OTHER PROJECTS WITHOUT THE PRIOR WRITTEN PERMISSION FROM CUSTOM DESIGN & ENGINEERING, INC.



1 HSS COLUMN TO FOOTING CONNECTION



2 CORNER HSS COLUMN TO FOOTING CONNECTION



3 SECTION THRU FOOTING

PROJECT NAME: JEFF RUDD RESIDENCE

PROJECT ADDRESS: 8032 SE 57TH ST
MERCER ISLAND WA 98040

DWG TITLE: FOUNDATION DETAILS

Revision: CURRENT VERSION
Date: 5-21-2024

DWG TITLE



PROJECT #

A4-3437

SHEET NO

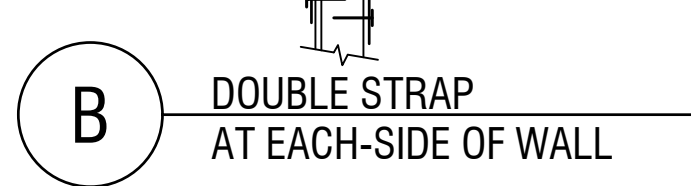
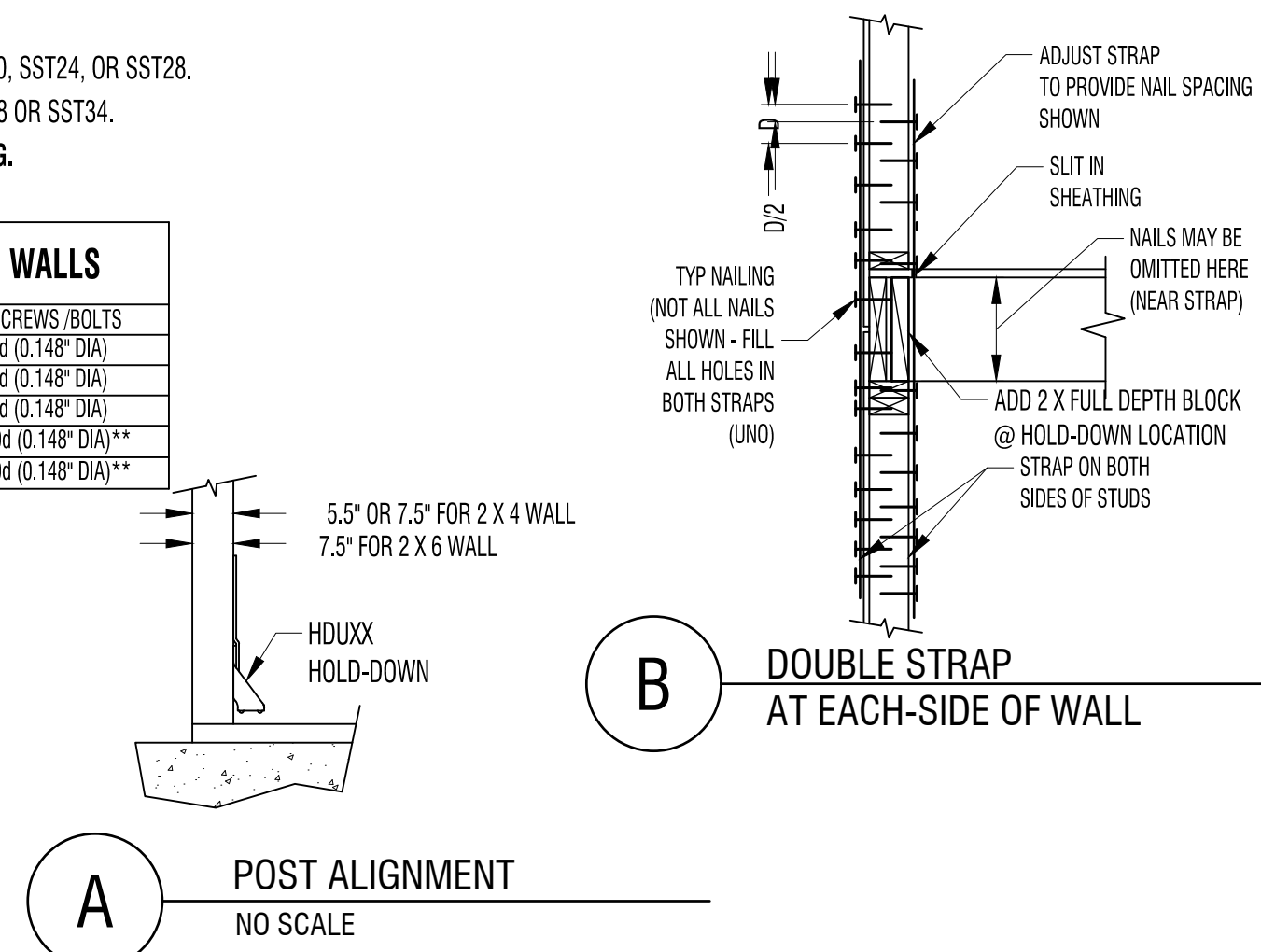
S4.0

HOLD-DOWN SCHEDULE - HOLD DOWNS ATTACHED TO CONCRETE							
MARK	TYPE	CAPACITY	ANCHOR BOLT (MONO POUR)	ANCHOR BOLT (TWO POUR)	NUMBER OF STUDS / SOLID COLUMN	NAILS / SCREWS / BOLTS	
TD1	STD14 OR HDU4-SDS2.5	3285	SSTB24 (FOR HDU4)	SSTB24 (FOR HDU4)	(2) 2 X HEM-FIR	30 - 10d (0.148" DIA)	
TD2	HDUS-SDS2.5 (SPF/HF)	4065	SSTB24 (FOR HDUS)	SSTB24 (FOR HDUS)	(2) 2 X DOUG-FIR	38 - 10d (0.148" DIA)	
TD3	HDUS-SDS2.5 (DF/SP)	5645	3" Ø X 24 ASTM A307	3" Ø X 24 ASTM A307	(2) 2 X DOUG-FIR	40 - 10d (0.148" DIA)	
TD4	HDUS-SDS2.5	7460	SSTB28	SSTB34	(2) 2 X DOUG-FIR	20 - 1" X 3 - SCREWS	
TD5	HDU1-SDS2.5	9540	1" Ø X 24 ASTM A307	1" Ø X 24 ASTM A307	6 X 6 OF 2 POST	26 - 1" X 3 - SCREWS	
TD6	HDU1-SDS2.5	11175	1" Ø X 24 ASTM A307	1" Ø X 24 ASTM A307	6 X 6 OF 1 POST		
TD7	HDU1-SDS2.5	14445	1" Ø X 24 ASTM A307	1" Ø X 24 ASTM A307	6 X 6 OF 1 POST		
TD8	HD12	15510	1-1/8" X 24 ASTM A307	1-1/8" X 24 ASTM A307	6 X 6 OF 1 POST		
TD9	HD19	19070	1-1/4" X 24" ASTM 307	1-1/4" X 24" ASTM 307	6 X 6 OF 1 POST		

- NOTES:
- HOLDDOWNS SHALL BE MANUFACTURED BY THE SIMPSON STRONG-TIE CO. OR EQUIVALENT.
 - ALL BUILTUP STUDS SHALL RECEIVE SHEAR WALL EDGE NAILING.
 - INSTALL HOLD-DOWN BOLTS THRU THE THICKER SECTION OF THE SOLID POST.
 - 5/8" DIA ASTM A36 THREADED ROD EMBEDDED 12 INCHES IS ACCEPTABLE SUBSTITUTION FOR SST20, SST24, OR SST28.
 - 3/4" DIA ASTM A36 THREADED ROD EMBEDDED 12 INCHES IS ACCEPTABLE SUBSTITUTION FOR SST28 OR SST34.
 - ALL HOLD-DOWNS, FRAMING ANCHORS AND SHEAR WALLS MUST BE INSPECTED BEFORE COVERING.

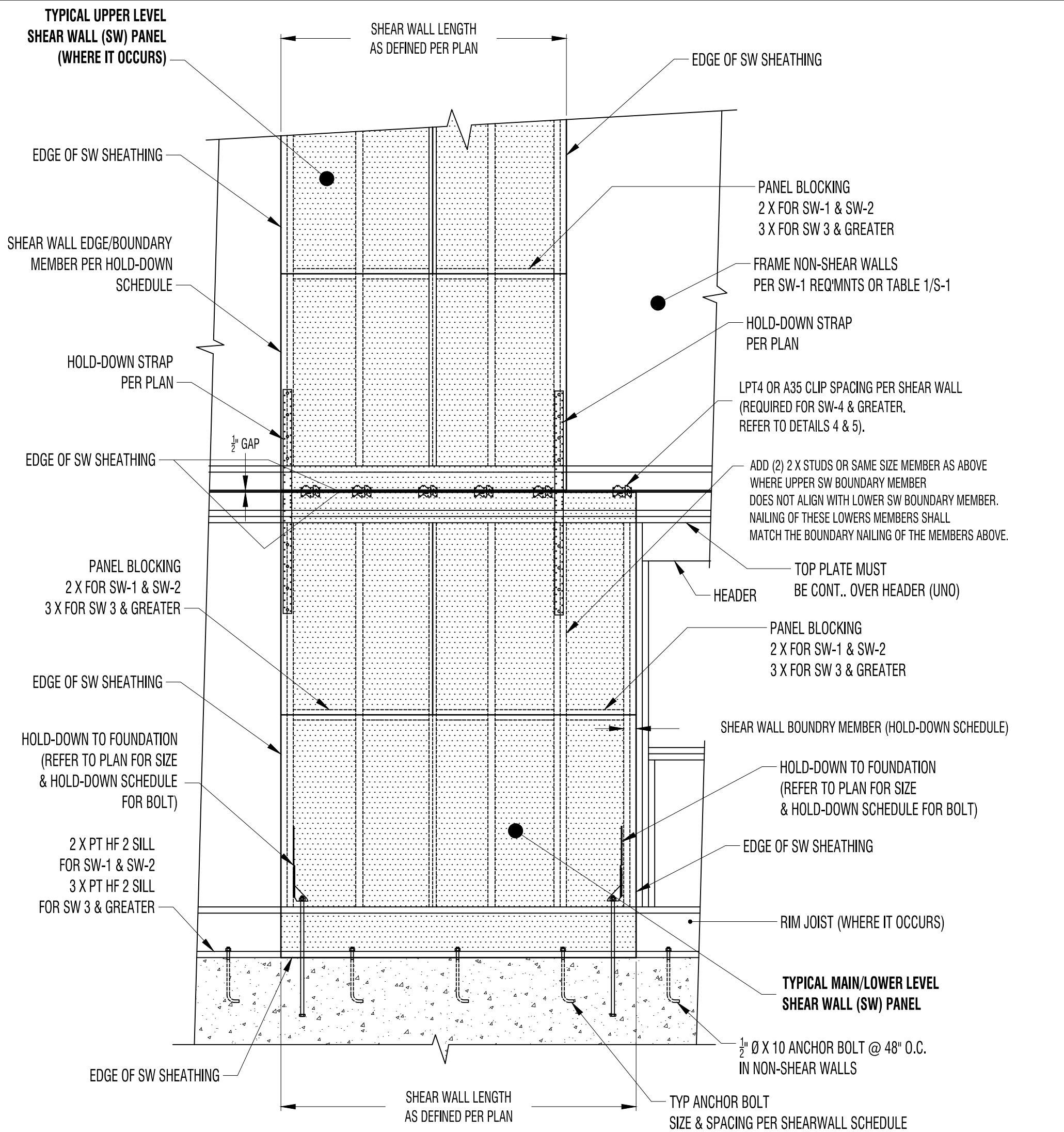
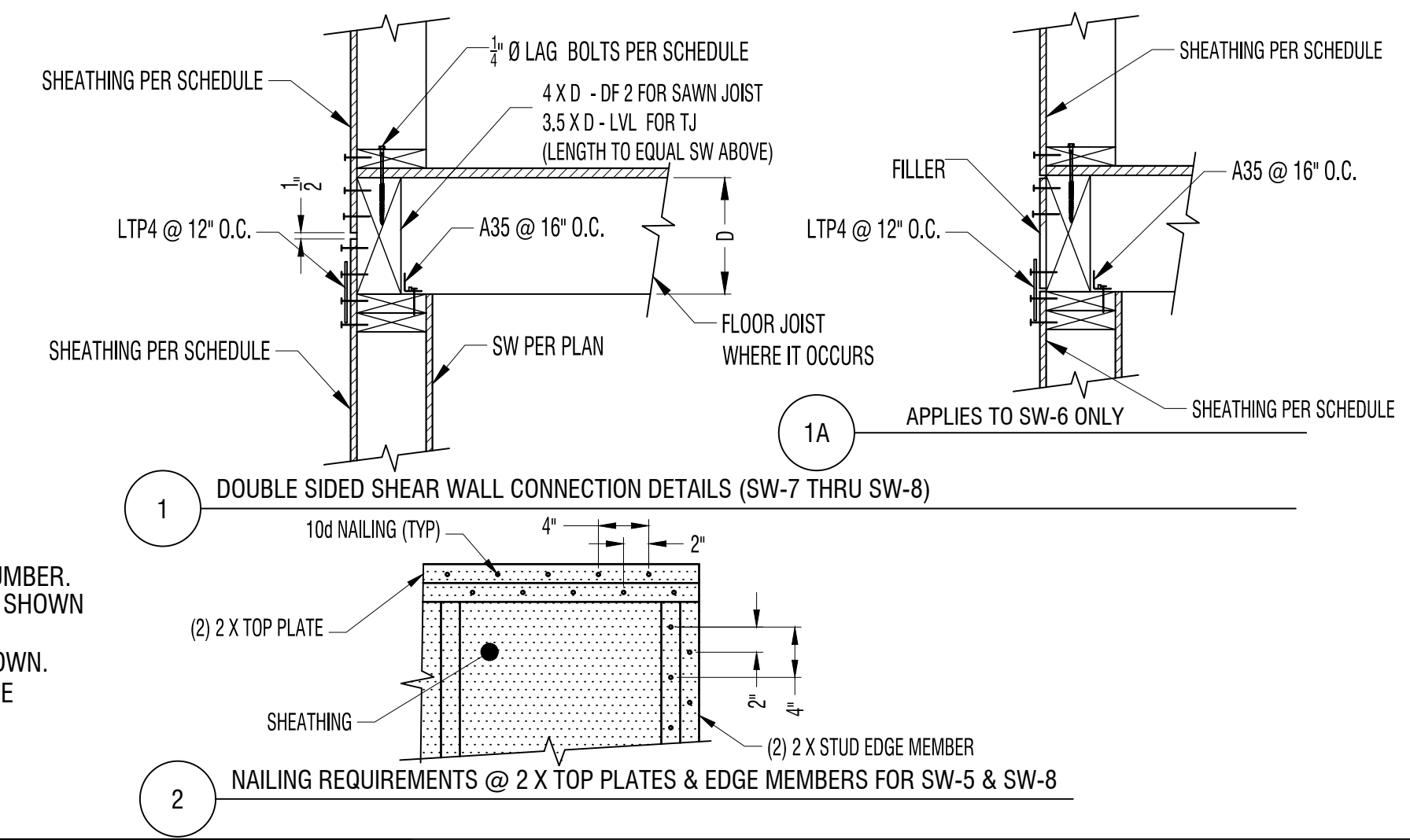
HOLD-DOWN SCHEDULE - HOLD DOWNS ATTACHED BETWEEN FRAMED WALLS			
TYPE (2)	CAPACITY (3)(4)	NUMBER OF STUDS / SOLID COLUMN	NAILS / SCREWS / BOLTS
MST37	2010	(2) 2 X HEM-FIR	30 - 10d (0.148" DIA)
MST48	3105	(2) 2 X DOUG-FIR	38 - 10d (0.148" DIA)
MST60	4800	(2) 2 X DOUG-FIR	40 - 10d (0.148" DIA)
(2) MST48	6210	(2) 2 X DOUG-FIR	(2) 38 - 10d (0.148" DIA)**
(2) MST60	9600	(3) 2 X DOUG-FIR	(2) 40 - 10d (0.148" DIA)**

- NOTES:
- FILL ALL HOLES WITH 10d COMMONS NAILS (EXCEPTION SEE NOTE 3).
 - WHERE DOUBLE STRAPS ARE INDICATED SUCH AS (2) MST37 USE 10d X 1-1/2" COMMONS NAILS. SEE DETAIL A/S7.0 FOR DETAIL.
 - THE VALUES ABOVE ARE BASED ON A 16' CLEAR SPAN WITH HEM-FIR FRAMING & WIND LOAD DURATION.
- ** STAGGER NAILING PER DETAIL B



SHEAR WALL SCHEDULE												
MARK	CAPACITY (LB/FT) (1)	SHEATHING (PLYWOOD/OSB) (2)	NAIL SIZE (3)	EDGE NAIL SPACING (4)	FIELD NAIL SPACING	BOTTOM PLATE NAILING (2ND FLOOR) (6)	SILL PLATE CONN. TO FOUNDATION (10)	SHEAR CLIP SPACING (LTP4 OR A35 REFER TO DETAILS)	TYP FRAMING (UNO)	FRAMING AT ABUTTING EDGES (11)	FOUNDATION SILL PLATES	PLATES
SW-1	213	7/16	8d (0.131" DIA)	6	SEE NOTE 5	16d @ 6" O.C.	1" X 10 @ 35" O.C.	LTP4 or A35 @ 16" O.C.	2 X	2 X	2 X	(2) 2 X
SW-2	254	7/16	8d (0.131" DIA)	4	SEE NOTE 5	16d @ 4" O.C.	1" X 10 @ 30" O.C.	LTP4 or A35 @ 16" O.C.	2 X	2 X	2 X	(2) 2 X
SW-3	350	7/16	8d (0.131" DIA)	3	SEE NOTE 5	16d @ 4" O.C.	1" X 10 @ 20" O.C.	LTP4 or A35 @ 16" O.C.	2 X	3 X	3 X	(2) 2 X
SW-4	492	15/32	10d (0.148" DIA)	3	SEE NOTE 5	16d @ 3" O.C.	1" X 10 @ 24" O.C.	LTP4 or A35 @ 12" O.C.	2 X	3 X	3 X	(2) 2 X
SW-5	631	15/32	10d (0.148" DIA)	2	SEE NOTE 5	16d @ 2" O.C.	1" X 10 @ 18" O.C.	LTP4 or A35 @ 9" O.C.	2 X	3 X	3 X	(2) 2 X
SW-6	836	15/32 BOTH SIDES	10d (0.148" DIA)	4	SEE NOTE 5	1" DIA LAG SCREW @ 4" O.C.	1" X 10 @ 18" O.C.	SEE DETAIL 1	2 X	3 X	3 X	(2) 2 X
SW-7	1200	15/32 BOTH SIDES	10d (0.148" DIA)	3	SEE NOTE 5	1" DIA LAG SCREW @ 3" O.C.	1" X 10 @ 14" O.C.	SEE DETAIL 1	2 X	3 X	3 X	(2) 2 X
SW-8	1540	15/32 BOTH SIDES	10d (0.148" DIA)	2	SEE NOTE 5	1" DIA LAG SCREW @ 3" O.C.	1" X 10 @ 24" O.C.	SEE DETAIL 1	2 X	3 X	3 X	(2) 2 X

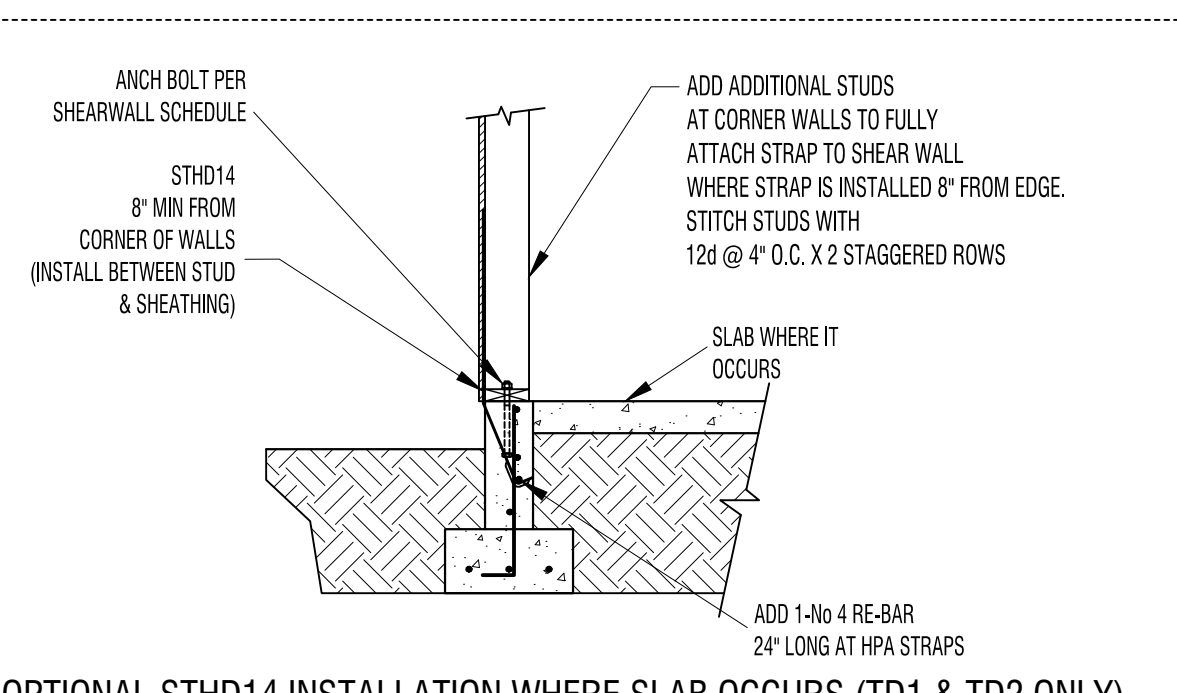
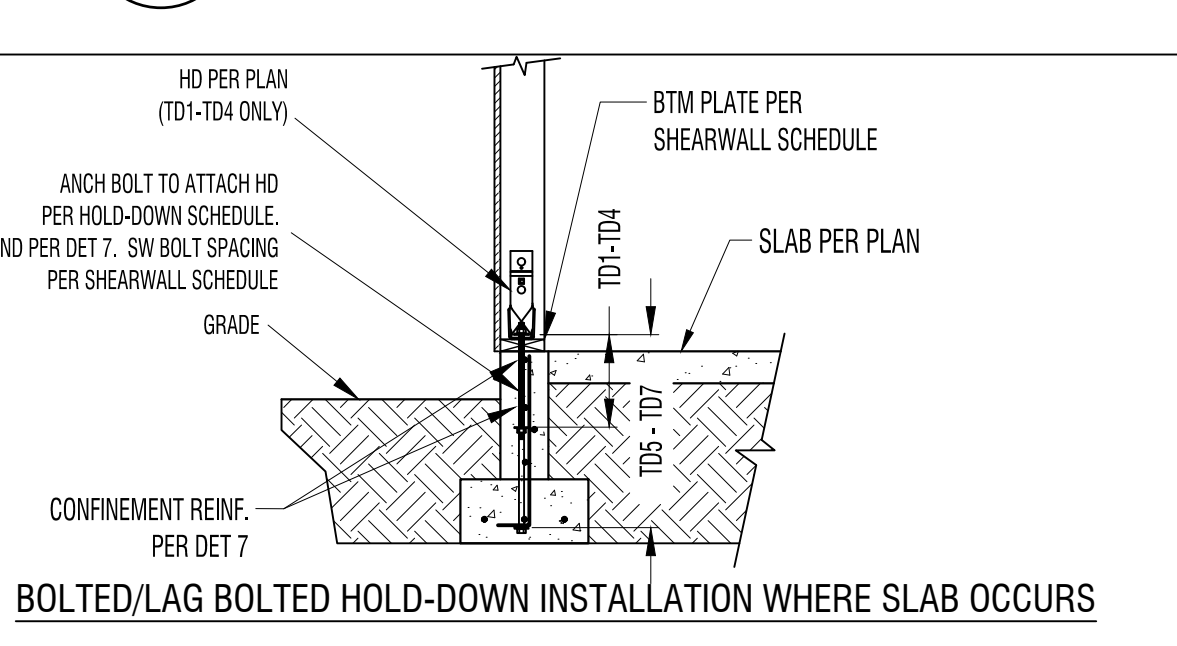
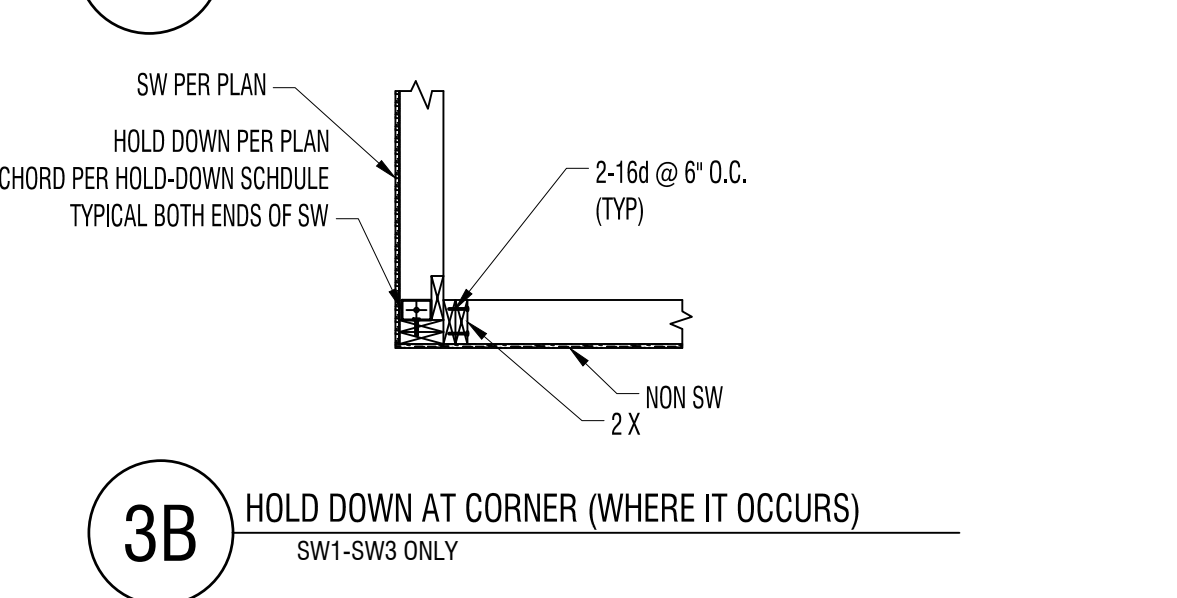
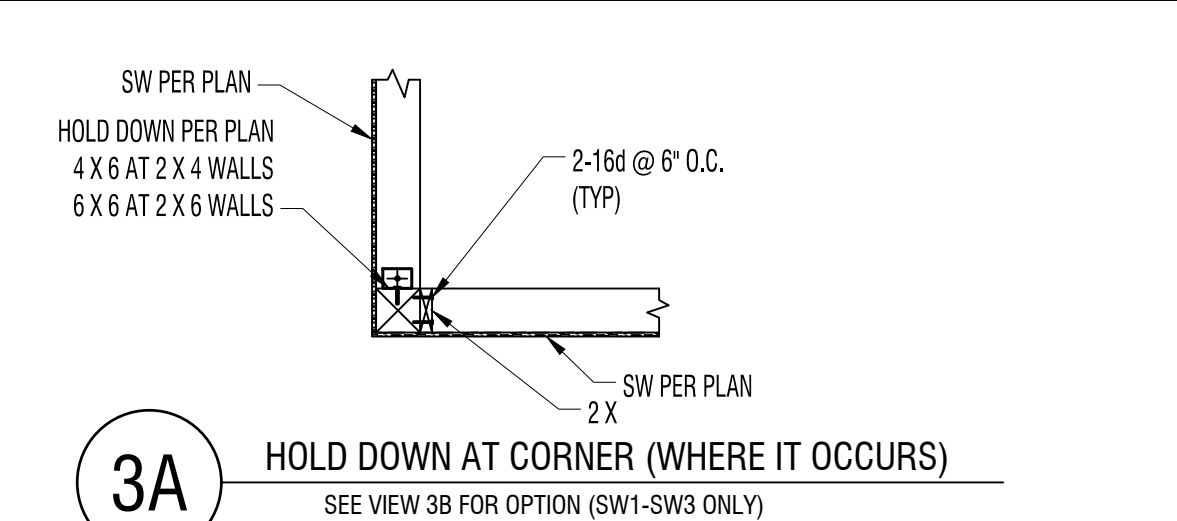
- NOTES:
- ALLOWABLE SHEAR CAPACITY ASSUMES HEM-FIR FRAMING, AND IS BASED ON THE 2018 IBC WITH INCREASES FOR LOAD DURATION. SW-7 & SW-8 REQUIRES DOUG-FIR FRAMING.
 - UPON ENGINEERS APPROVAL, 19/32" RATED SHEATHING MAY BE USED WITH NO CAPACITY REDUCTION. O.S. INDICATES ONE SIDE OR WALL TO BE SHEATHED, B.S. INDICATES SHEATHING ON BOTH SIDES.
 - 8d NAILS = 0.131" dia 10d NAILS = 0.148" dia
 - FOR SHEAR WALL TYPES SW-3 AND HIGHER, ALL PANEL EDGE NAILING AND FOUNDATION SILL NAILING SHALL BE STAGGERED.
 - 12" FIELD NAILING FOR STUDS 16" O.C. AND 6" FIELD NAILING FOR STUDS 24" O.C.
 - WHERE LAG SCREWS ARE REQUIRED, SCREW LENGTH MUST BE ADEQUATE TO ENSURE 2-1/4" PENETRATION OF THE LAG INTO THE RIM JOIST BELOW. PRE DRILL WITH 3/16" DIA LEAD HOLE.
 - ADDITIONAL BOTTOM PLATE ANCHORS ARE ONLY REQUIRED AT WALLS DESIGNATED ON PLANS AS PERFORATED SHEAR WALLS. THESE ANCHORS ARE NOT REQUIRED AT FOUNDATION SILL PLATES.
 - ALIGN STRAPS WITH WALL STUDS AND CENTER AT FLOOR SHEATHING.
 - WALLS WITH OUT SHEAR WALL ID SHALL CONFORM SW-1.
 - 3" x 3" x 1/4" GALVANIZED PLATE WASHER IS REQUIRED. EMBED ANCHOR BOLTS 7.5" MINIMUM. REFER TO S-1 TO PRESSURE TREATING NOTES FOR ANCHOR BOLTS IN CONTACT WITH PRESSURE TREATED LUMBER. REFER TO FOUNDATION WALL SILL BOLTING REQUIREMENTS WHERE ANCHOR BOLT SPACING MAY LESS THAN SHOWN PER THIS TABLE.
 - REFER TO HOLD-DOWN TABLE WHERE SHEAR WALL EDGE MEMBERS ARE CONTROLLED BY THE REQ'D HOLD-DOWN. AS A MINIMUM REQUIREMENT, A 3X MEMBER AT HOLD DOWNS SHALL BE USED. WHERE (3) 2 X MEMBERS ARE REQUIRED PER THE HOLD-DOWN TABLE, USE (1) 3 X & (1) 2 X.
 - ALL HOLD-DOWNS, FRAMING ANCHORS AND SHEAR WALLS MUST BE INSPECTED BEFORE COVERING.
 - FOR DOUBLE SIDED SHEAR WALLS - DO NOT INSTALL SECOND SHEATHING LAYER UNTIL ITEM 12 ABOVE IS SATISFIED.



2 TYPICAL SEGMENTED SHEAR WALLS (SW)
NO SCALE

- REFER TO PLAN FOR SHEAR WALL LENGTH & HOLD-DOWN SIZES.
- REFER TO SHEAR WALL SCHEDULE FOR SW PANEL SIZE, NAILING AND BLOCKING.
- REFER TO SHEAR WALL SCHEDULE FOR BOUNDARY MEMBERS.
- REFER TO HOLD-DOWN SCHEDULE FOR HOLD-DOWNS & BOLTS.

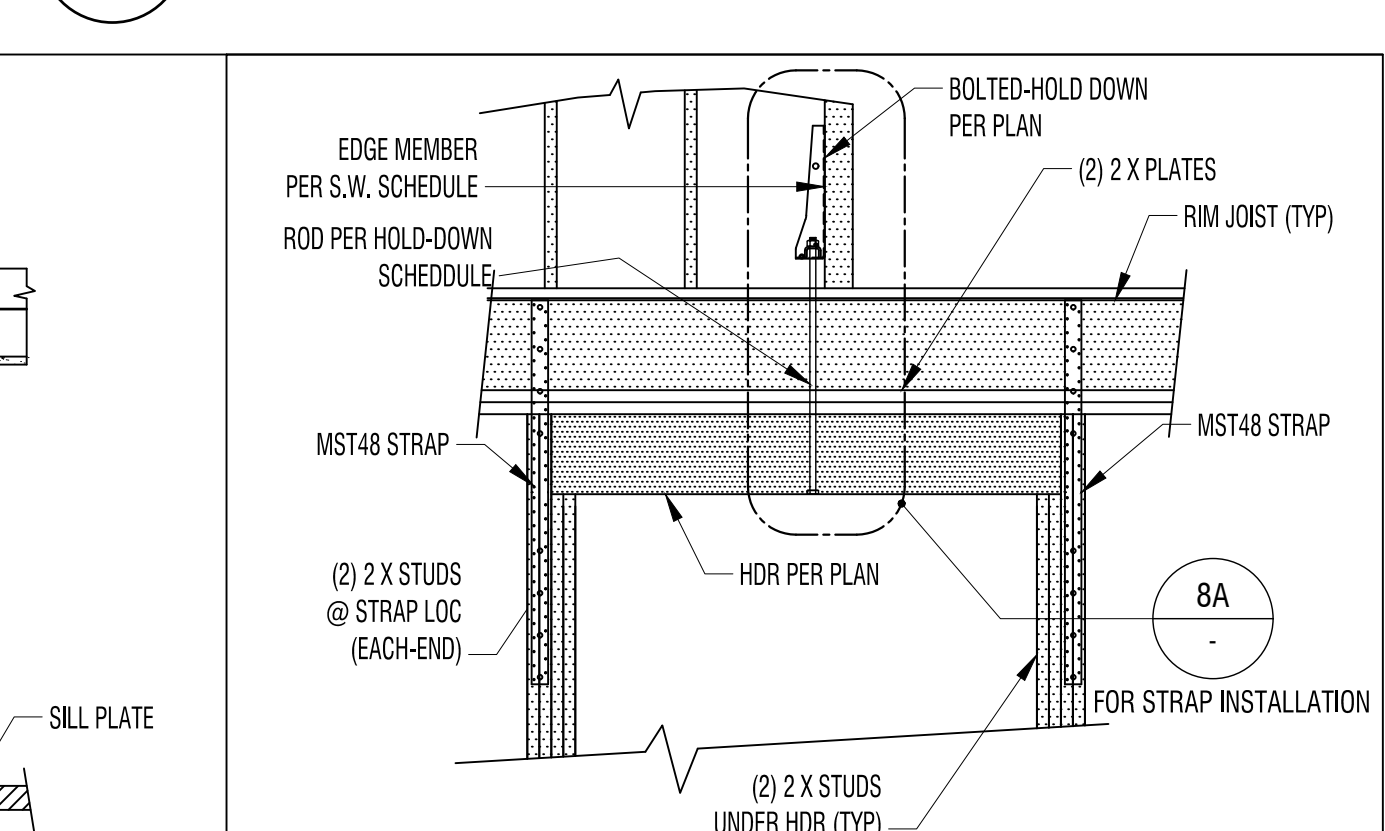
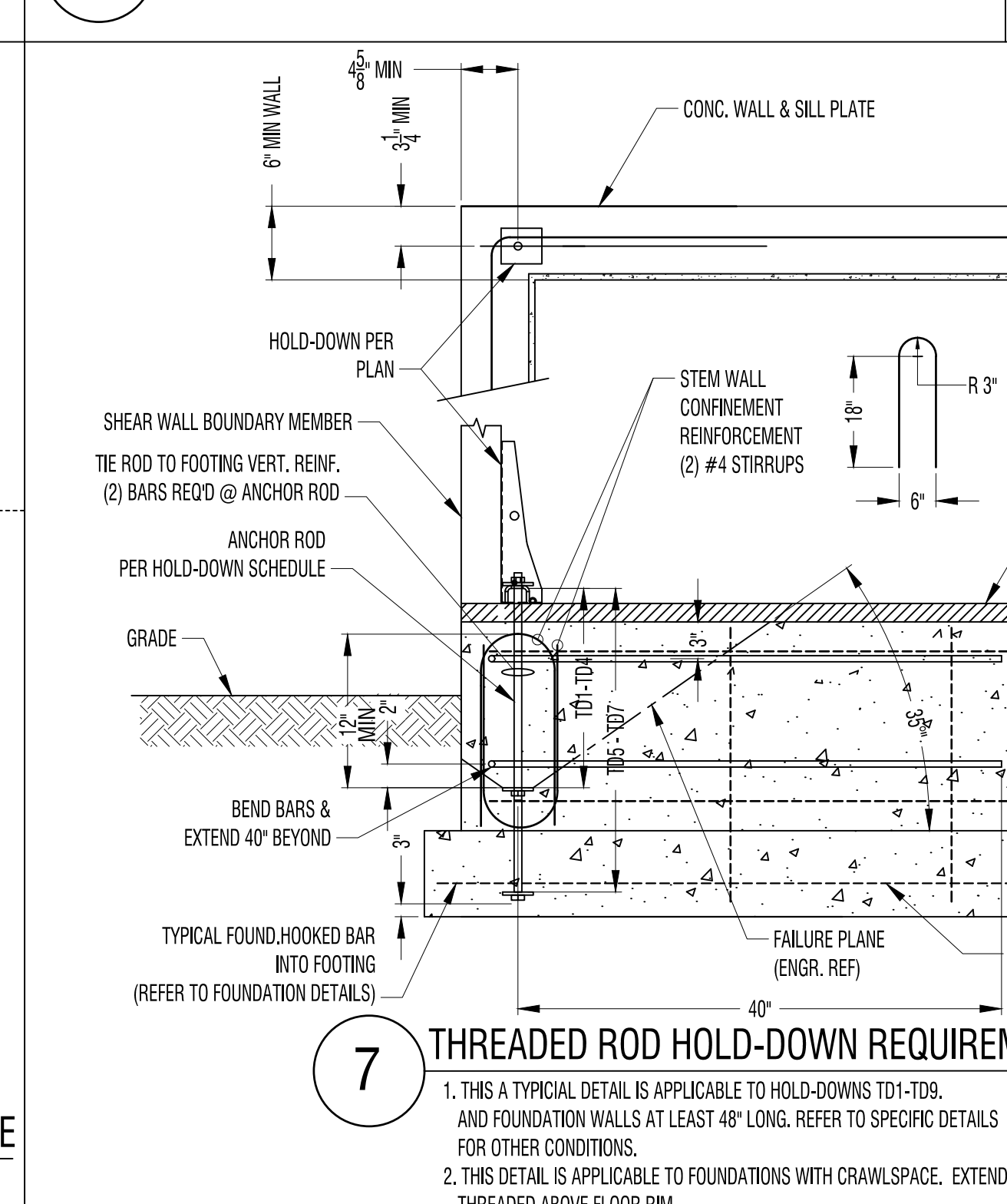
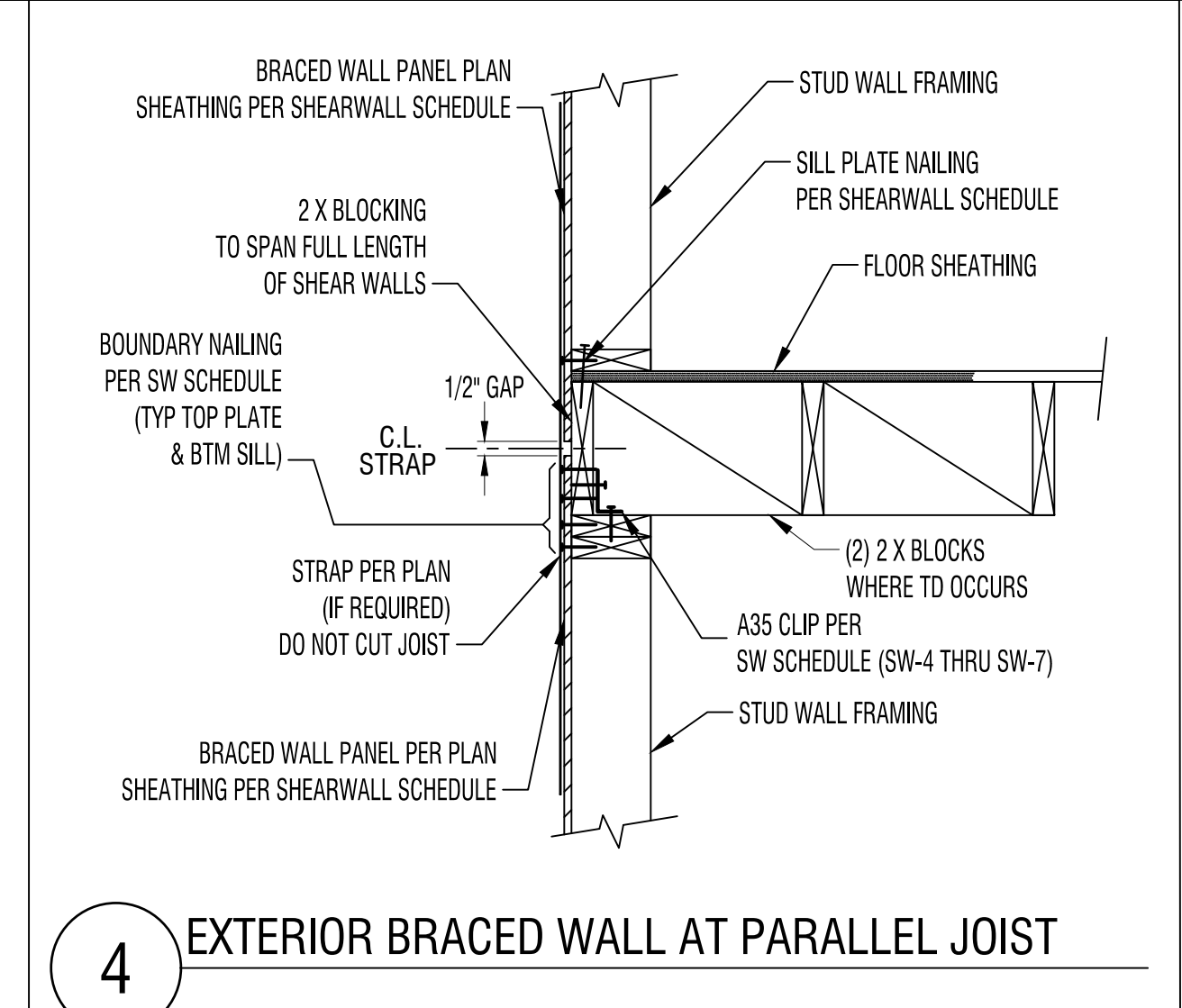
REFER TO SHEET S-1 FOR LICENSE AND USAGE INFORMATION



6 TYPICAL HOLD-DOWN ATTACHED DIRECTLY TO CONCRETE

7 THREADED ROD HOLD-DOWN REQUIREMENTS

- THIS A TYPICAL DETAIL IS APPLICABLE TO HOLD-DOWNS TD1-TD9. AND FOUNDATION WALLS AT LEAST 48" LONG. REFER TO SPECIFIC DETAILS FOR OTHER CONDITIONS.
- THIS DETAIL IS APPLICABLE TO FOUNDATIONS WITH CRAWLSPACE. EXTEND THREADED ABOVE FLOOR RIM.



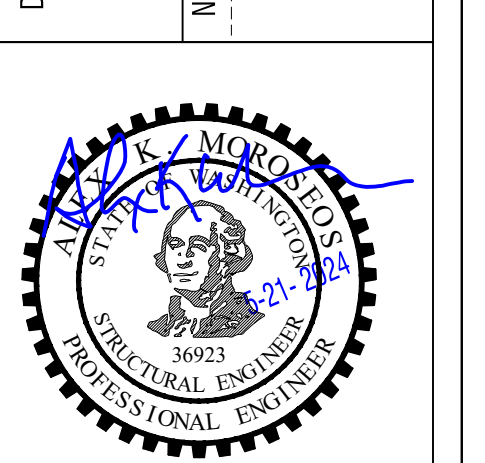
8 TYPICAL HOLD-DOWN OVER HEADER BEAM FOR TD2 HOLD-DOWNS & GREATER

8A STRAP OPTION FOR MST48 STRAP INSTL ONLY.

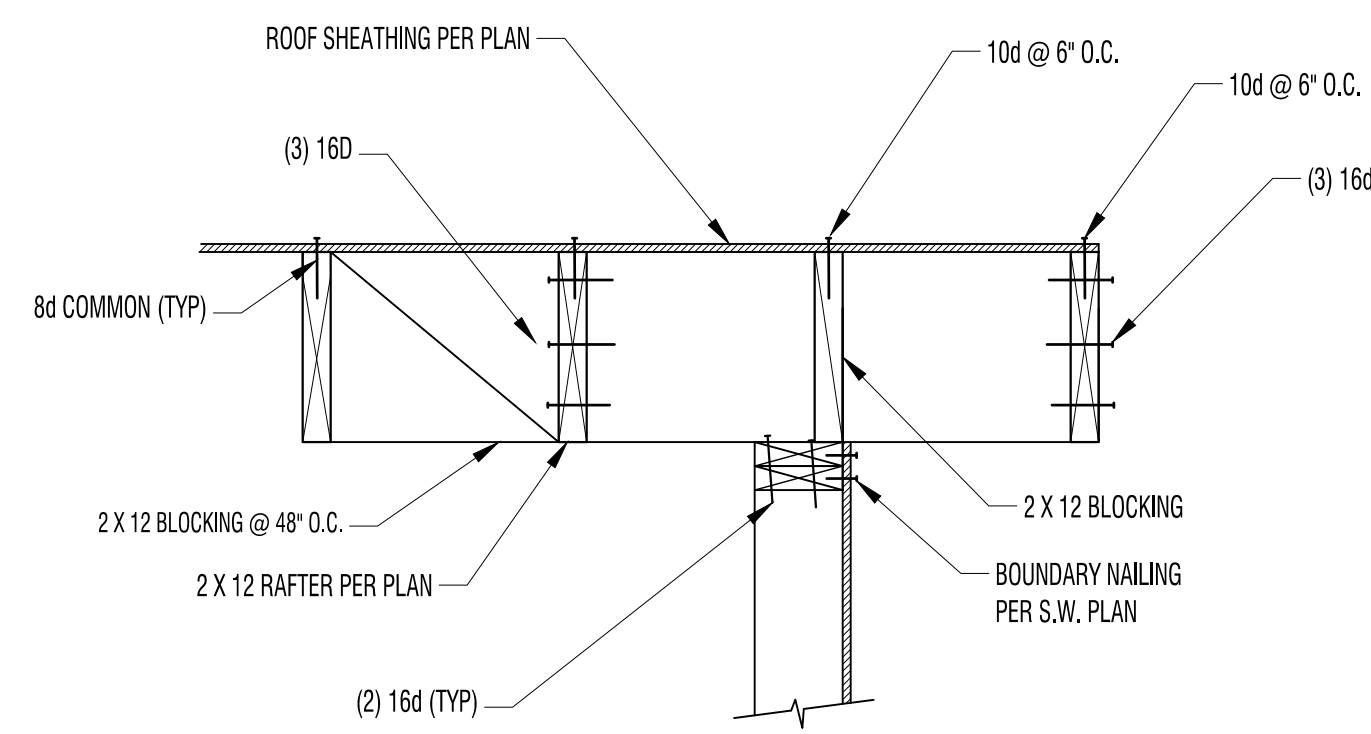
CUSTOM DESIGN & ENGINEERING, INC
STRUCTURAL ANALYSIS & DESIGN
WWW.CDENGR.COM
MUKILTEO, WA
(425) 343-7517
email: mail@cdengr.com

PROJECT NAME: JEFF RUDD RESIDENCE
PROJECT ADDRESS: 8032 SE 57TH ST
MERCER ISLAND WA 98040

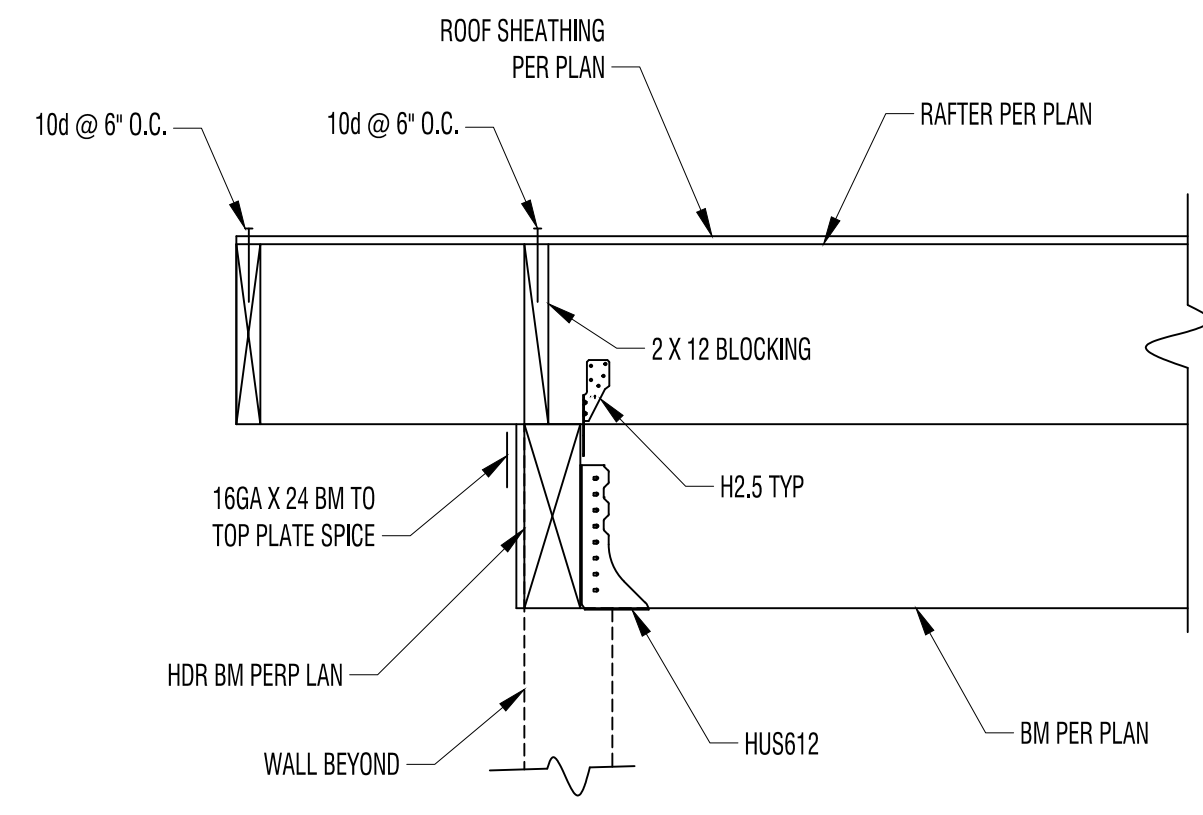
DWG TITLE: WOOD FRAMING DETAILS
Revision: CURRENT VERSION
Date: 5-21-2024



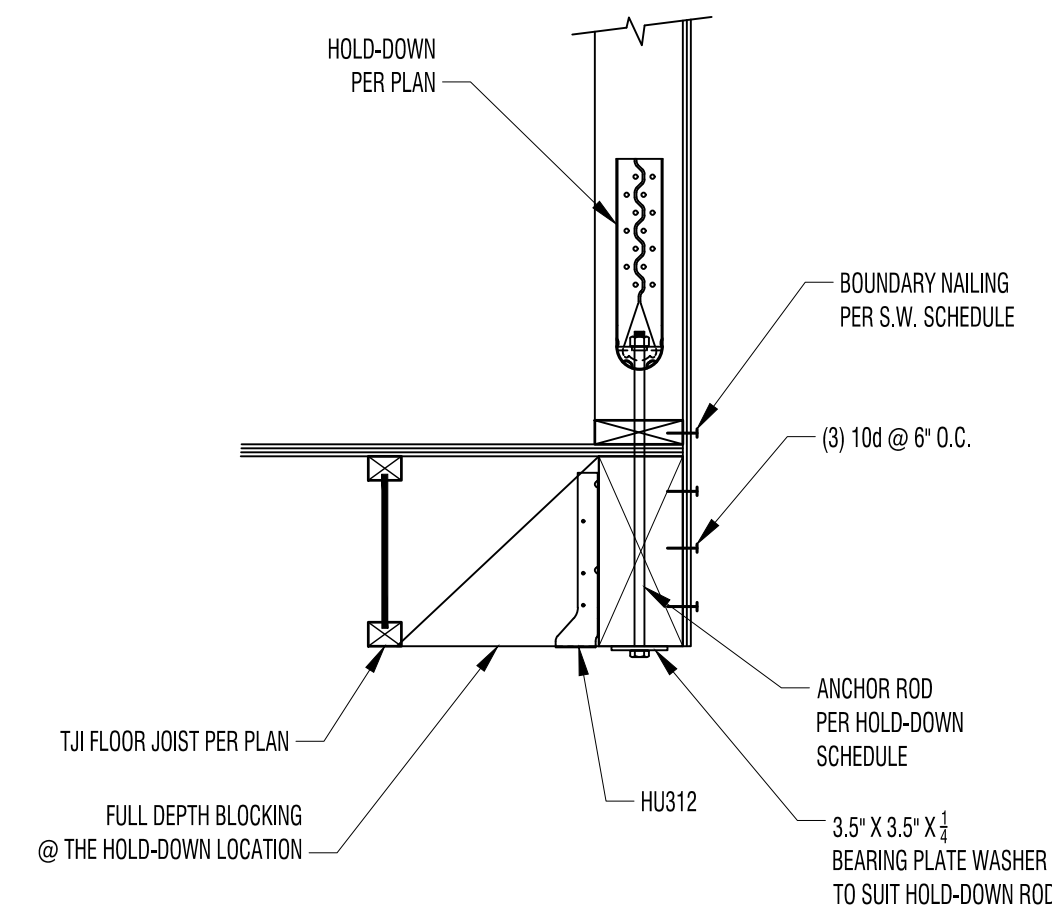
PROJECT # A4-3437
SHEET NO S7.0



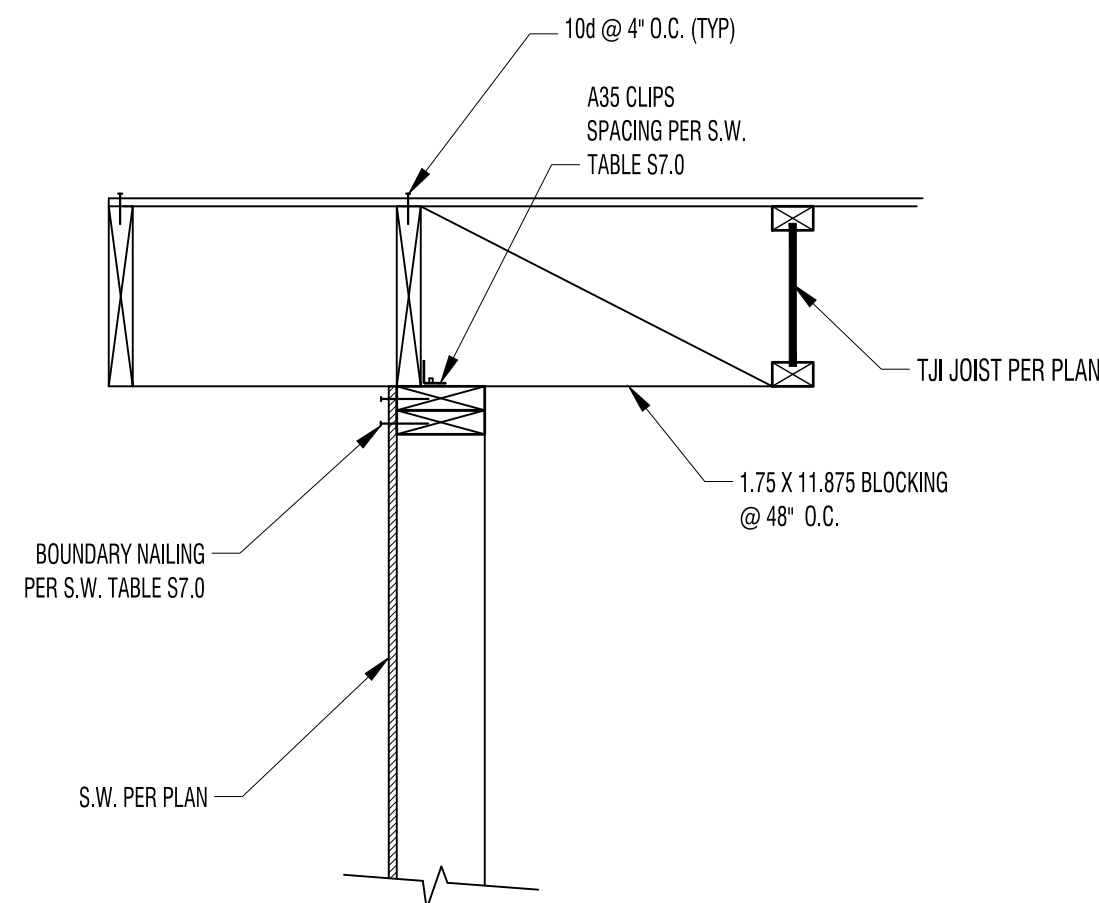
1 TYPICAL RAFTER PARALLEL



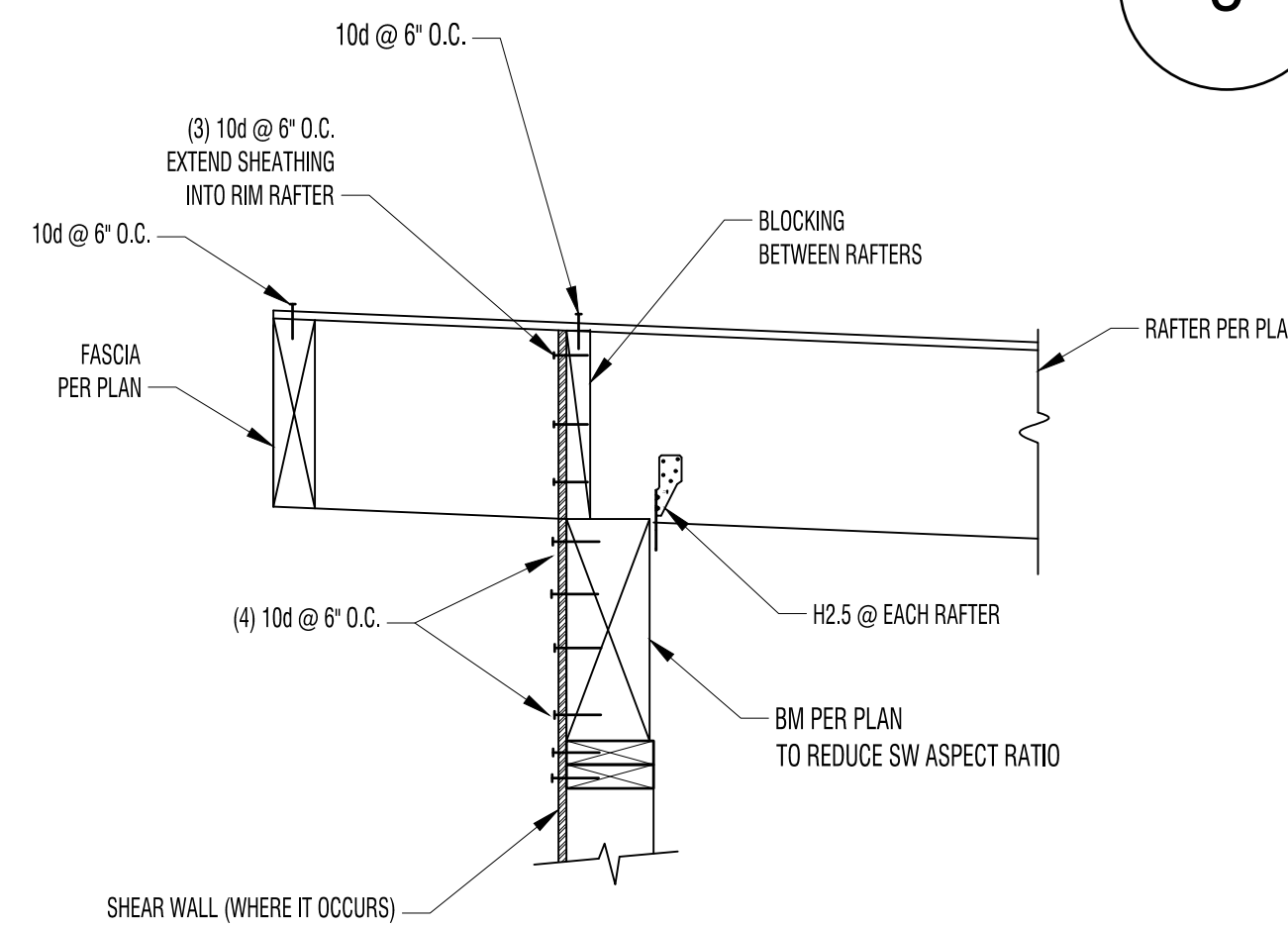
2 ROOF SUPPORT BM TO HDR



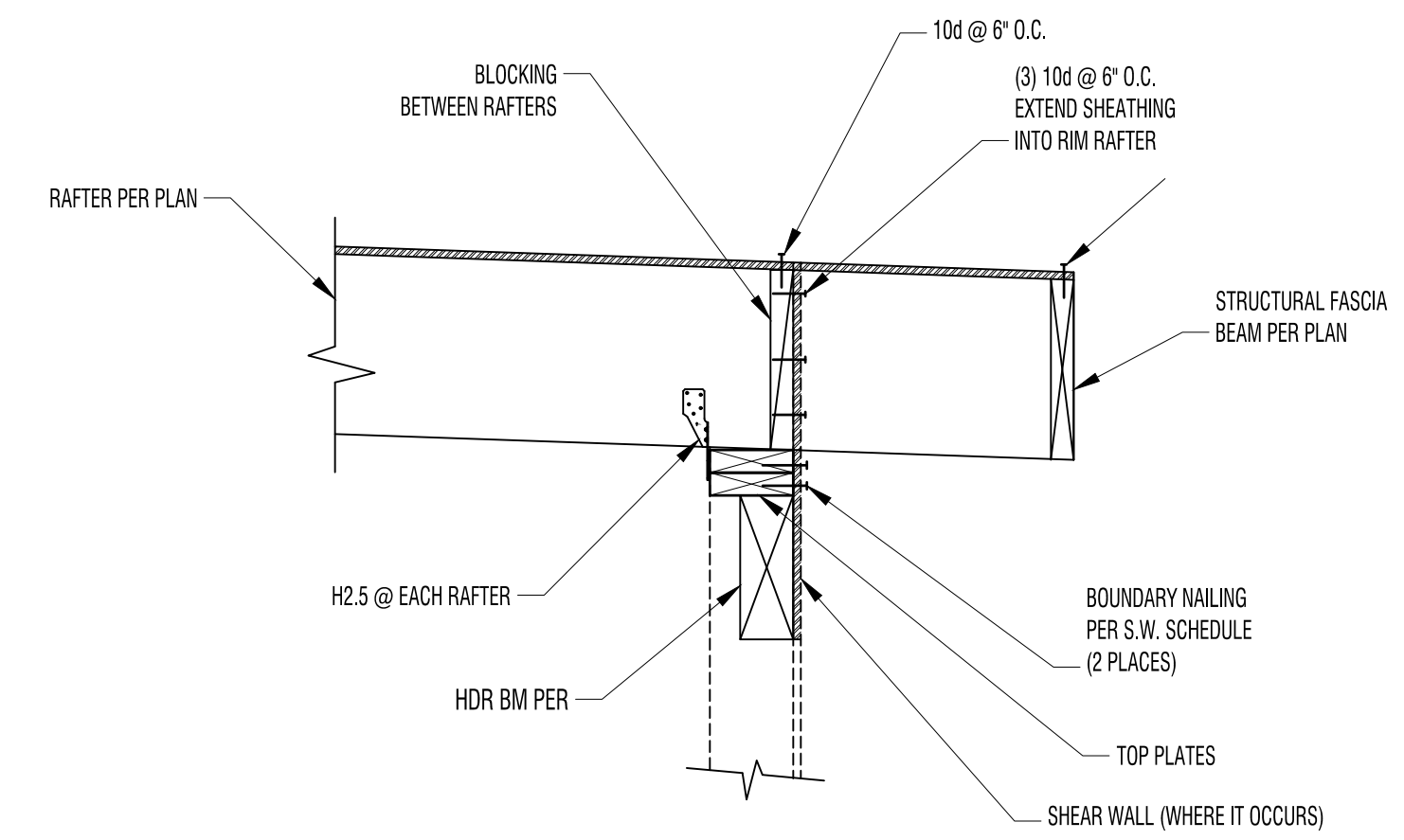
3 HOLD-DOWN OVER SUPPORTED BEAM



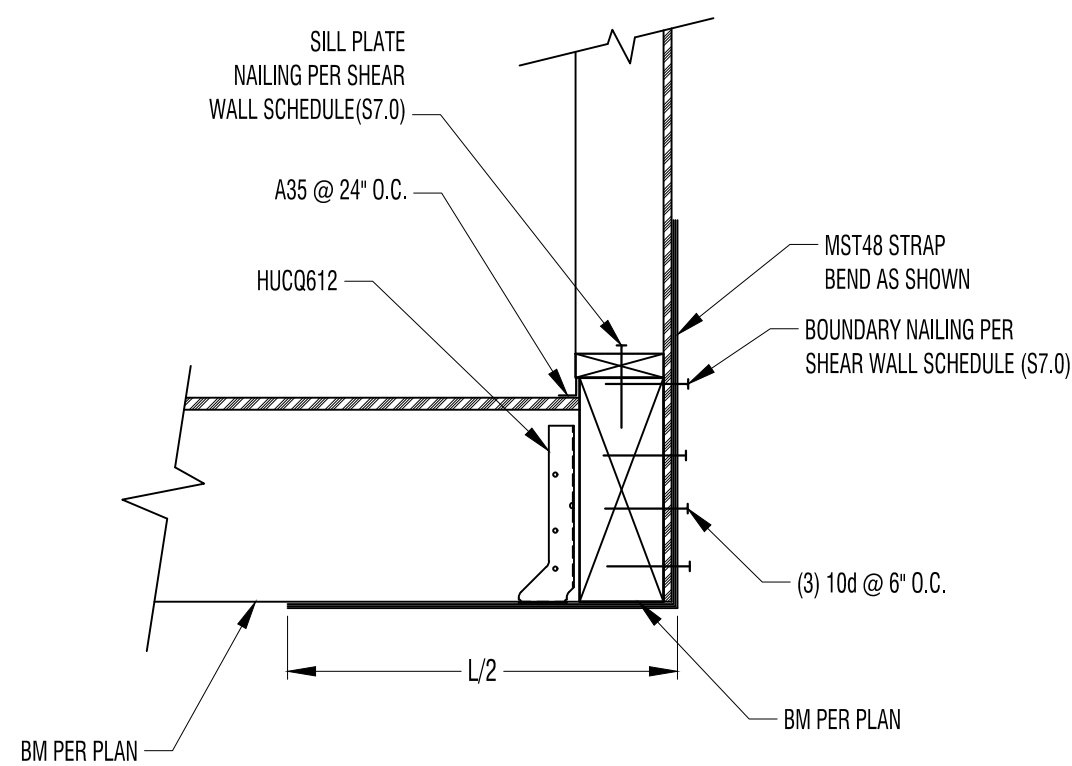
4 DIAPHRAGM CONNECTION TO BRACED WALL BELOW



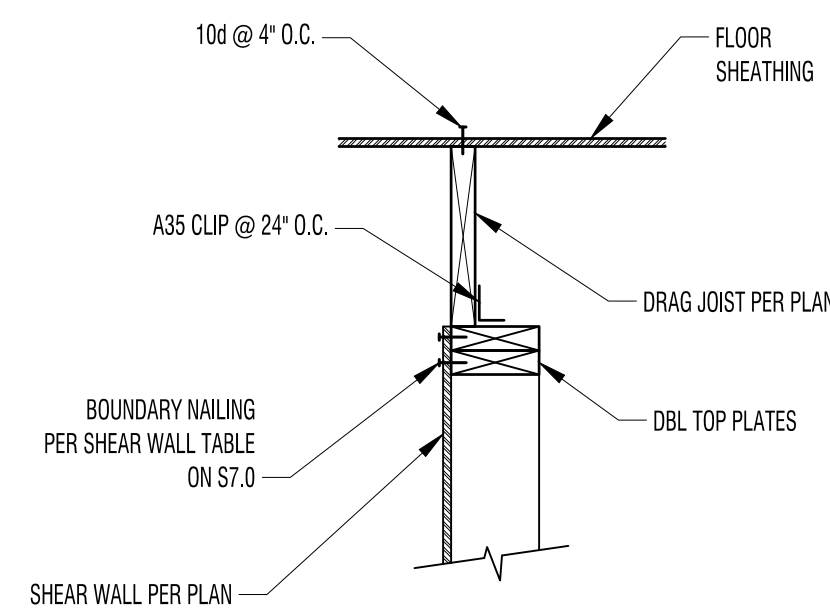
5 TYPICAL RAFTERS WITH EXTERIOR ROOF EXTENSION



6 TYPICAL RAFTERS WITH EXTERIOR ROOF EXTENSION



7 CORNER BEAM STRAP DETAIL (RAISED INTO WALL)



8 SHEAR WALL BELOW FLOOR DRAG BEAM (NO SCALE)

CUSTOM DESIGN & ENGINEERING, INC.
 STRUCTURAL ANALYSIS & DESIGN
 WWW.CDENGR.COM
 MUKILTEO, WA
 (425) 343-7517
 email: mail@cdenr.com

PROJECT NAME: JEFF RUDD RESIDENCE

PROJECT ADDRESS: 8032 SE 57TH ST
 MERCER ISLAND WA 98040

PROJECT ADDRESS:

DWG TITLE: WOOD FRAMING DETAILS

Date: 5-21-2024
 Revision: CURRENT VERSION
 Number:



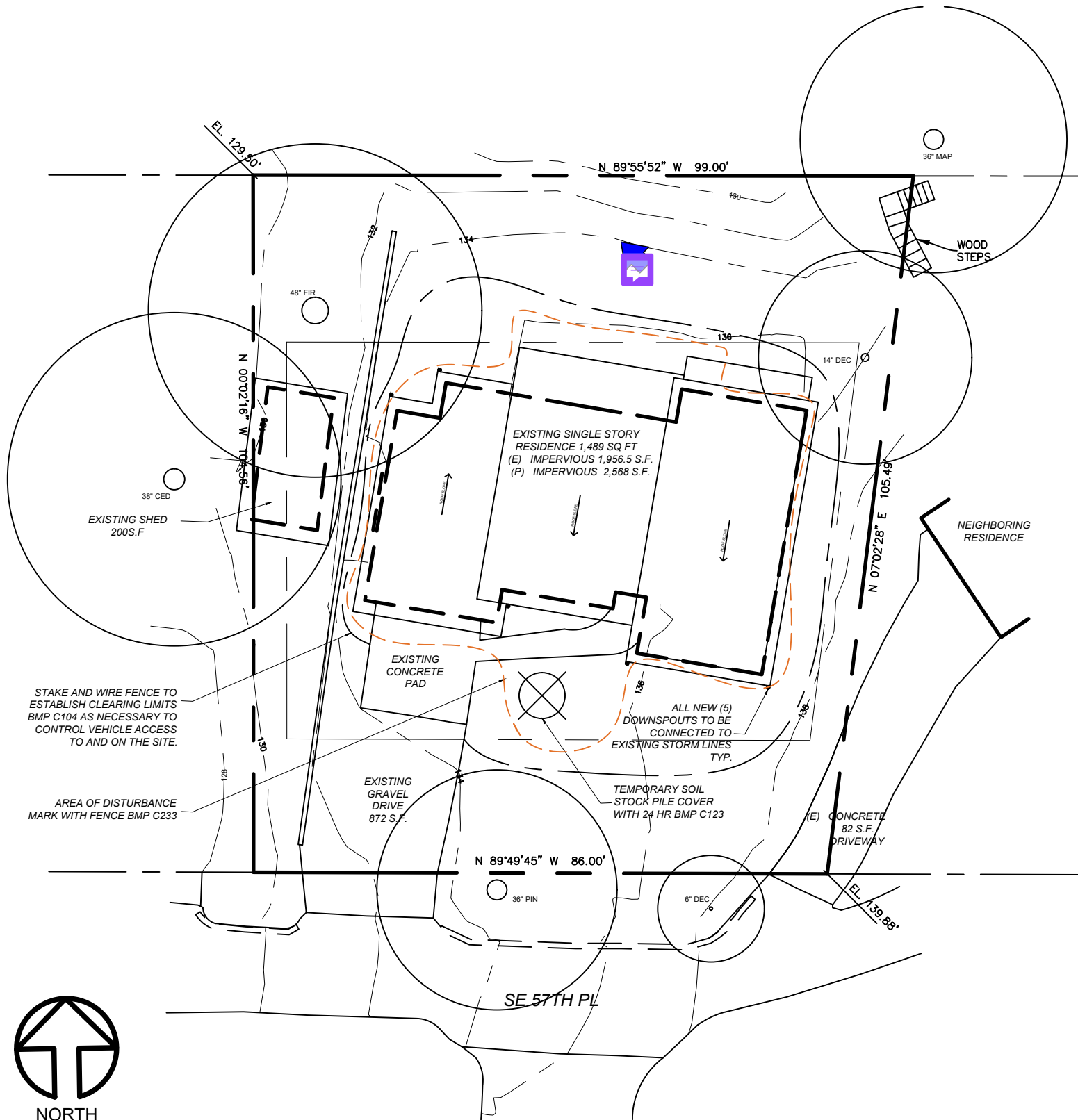
PROJECT #

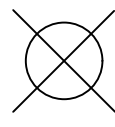
A4-3437

SHEET NO

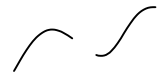
S7.1

ALL SHEETS/DRAWINGS CONTAINED IN THIS DOCUMENT ARE PROPERTY OF CUSTOM DESIGN & ENGINEERING, INC., AND ARE LICENSED TO THE ORIGINAL PURCHASING CLIENT (CLIENT). THE CLIENT MAY NOT SUBLICENSE, ASSIGN, OR TRANSFER THIS LICENSE TO A THIRD PARTY WITHOUT A WRITTEN APPROVAL OF CUSTOM DESIGN & ENGINEERING, INC. THESE DRAWINGS MAY NOT BE REUSED FOR OTHER PROJECTS WITHOUT THE PRIOR WRITTEN PERMISSION FROM CUSTOM DESIGN & ENGINEERING, INC.

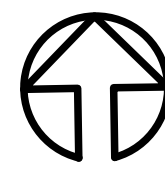


 **TEMPORARY STOCK PILE
6 MIL PLASTIC SHEET
COVER WITHIN 24
HOURS. (BMP C123)**

 **SILT FENCE AT EDGE OF
ENTIRE AREA OF
DISTURBANCE (BMP
C233)**

 **STAKE & WIRE FENCE
(BMP C104)**

**NOTE: CONCRETE HANDLING
(C151)**


NORTH
SCALE 1" = 50'-0"

PROPOSED ADDITIONS & ALTERATIONS TO RUDD RESIDENCE (SWPPP)

SITE ADDRESS:
8032 SE 57TH ST MERCER ISLAND, WA 98040

LEGAL DESCRIPTION:
CHRISTIAN CHURCH CAMP ADD 11-12-13 & 21-22 & POR OF 14 & 19-20 WLY OF FOLG
DESC LN BED AT PT ON S LN OF SD 20 DIST 4 FT WLY OF SE COR OF SD TH NELY TO PF
ON N LN OF SE DIST 9 FT ELY OF NWLY COR OF 14; PLAY BLOCK: 8; PLAT BLOCK: POR

OWNER/APPLICANT
JEFF RUDD
16627 89TH AVE. NW
STANWOOD, WA. 98292

**PARCEL 1574100620
LOT SIZE: 0.22 ACRES**

ZONING: R-8.4

DATE: 06/04/2024

	TREE DRIP LINE
	EVERGREEN TREE
	DECIDUOUS TREE
	TREE TO BE REMOVED
	TREE PROTECTION FENCING MUST BE PLACED PRIOR TO CONSTRUCTION ACTIVITY
	"E" REPRESENTS EXCEPTIONAL TREES. IN EXCESS OF 24" DBH
	6"-8" DEEP MULCH
	AQUATEX NFS-1 CONTROL UNIT
	WD-1 DETECTION UNIT
	IRRIGATION DRIPLINE

TREE PROTECTION AREA (TPZ)

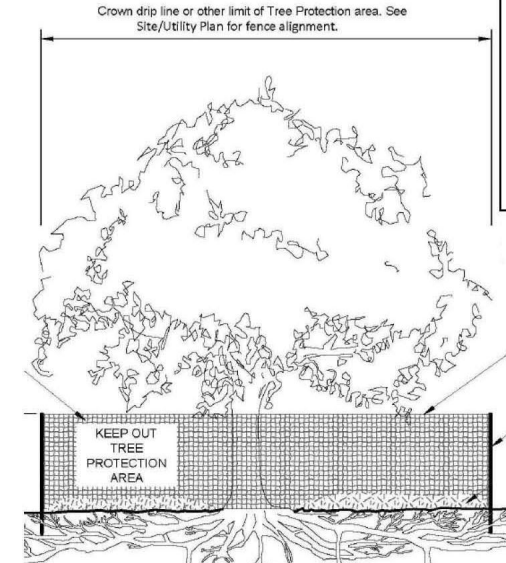
KEEP OUT!

DO NOT REMOVE OR ADJUST THE APPROVED LOCATION OF THIS TREE PROTECTION AREA

Trees enclosed by this fence are protected and are subject to the conditions of the tree permit. Violation of tree conditions may lead to:

1. Correction Notices or Stop Work Orders until compliance is achieved
2. RE Inspection Fees
3. Arborist reports recommending mitigation

- Notes**
1. No pruning shall be performed unless under the direction of an arborist
 2. No equipment shall be stored or operated inside the protective fencing including during fence installation and removal
 3. No storage of materials shall occur inside the protective fencing
 4. Refer to Site/Utility Plan for allowable modifications to the tree protection area
 5. Unauthorized activities in tree protection area may require evaluation by private arborist to identify impacts and mitigation required
 6. Exposed roots: For roots > 1" damaged during construction, make a clean straight cut to remove damaged portion and inform City Arborist



Tree protection fence: 4-ft chain link fence, solidly anchored into the ground, or if authorized High-density polyethylene fencing with 3.5" x 1.5" openings, color orange. Steel posts installed at 8' o.c.

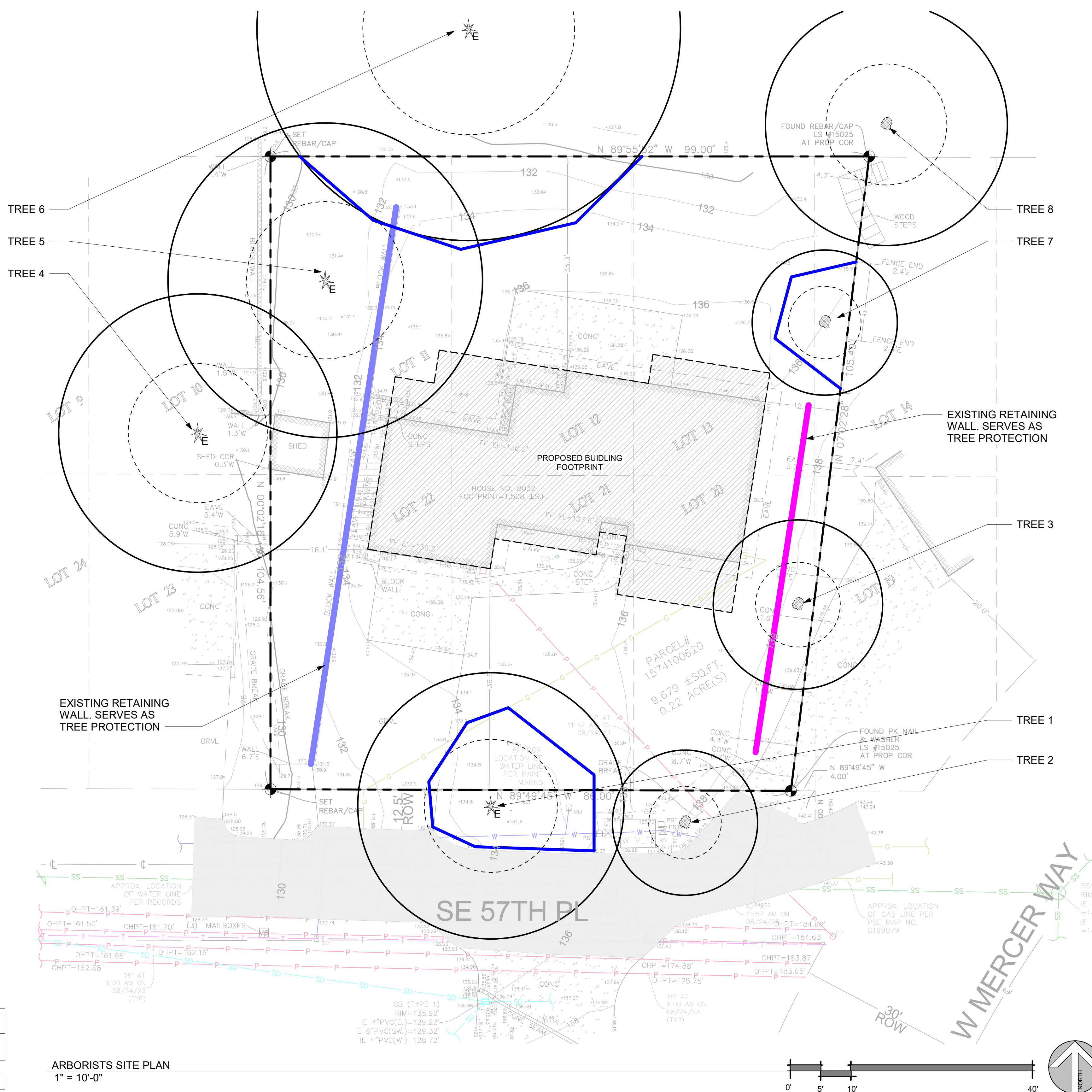
2" x 6" steel posts or approved equal

Maintain existing grade with the tree protection fence unless otherwise indicated on the plans

Any Work in the protected area must be with the permission of the City Arborist john.kenney@mercerwa.gov

Tree Schedule

ID	Common Name	Scientific Name	# of Trunks	DBH/DSH	Dripline	Condition	Retain	Comments
1	SPRUCE	Picea	1	36.0"	22' - 0"	GOOD	Yes	ROW
2	CHERRY	Prunus	1	6.0"	12' - 0"	GOOD	Yes	ROW
3	COTTONWOOD	Populus deltoides	1	10.0"	14' - 0"	GOOD	Yes	
4	WESTERN RED CEDAR	Thuja plicata	1	38.0"	23' - 0"	GOOD	Yes	
5	DOUGLAS FIR	Pseudotsuga menziesii	1	48.0"	26' - 0"	GOOD	Yes	
6	BIG LEAF MAPLE	Acer macrophyllum	1	32.0"	35' - 0"	POOR	Yes	
7	MAGNOLIA	Magnolia	1	7.0"	12' - 0"	GOOD	Yes	
8	BIG LEAF MAPLE	Acer macrophyllum	1	14.0"	20' - 0"	POOR	Yes	



ARBORISTS SITE PLAN
1" = 10'-0"

PREPARED BY:
NEAL BAKER
ARBORISTS NW.COM
ISA CERT. PN1075A
TRAQ ISA (TREE RISK ASSESSMENT QUALIFIED)
MEMBER AREA & SOCA
PH: 206 779 2579

arboristsNW

Arborists NW is a full spectrum arboricultural, consulting and landscape design and installation provider. When you think tree and landscape services, think Arborists NW.

ONLINE: <https://arboristsnw.com/>
PHONE: 206-779-2579
EMAIL: neal@arboristsnw.com

No.	Description	Date

RUDD PLAN

8032 SE 57TH ST, MERCER ISLAND, WA 98040

RUDD PLAN

ARBORIST TREE PLAN

Project number 24008

Date

Drawn by CW

Checked by NB

X100

Scale As indicated

	TREE DRIP LINE
	EVERGREEN TREE
	DECIDUOUS TREE
	TREE TO BE REMOVED
	TREE PROTECTION FENCING MUST BE PLACED PRIOR TO CONSTRUCTION ACTIVITY
	"E" REPRESENTS EXCEPTIONAL TREES. IN EXCESS OF 24" DBH
	6"-8" DEEP MULCH
	AQUATEX NFS-1 CONTROL UNIT
	WD-1 DETECTION UNIT
	IRRIGATION DRIPLINE

TREE PROTECTION AREA (TPZ)

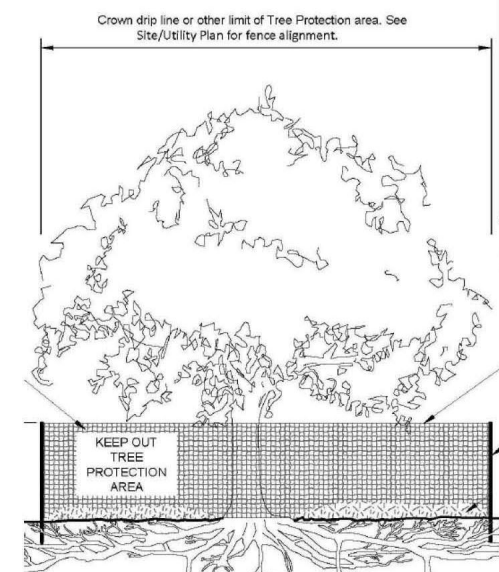
KEEP OUT!

DO NOT REMOVE OR ADJUST THE APPROVED LOCATION OF THIS TREE PROTECTION AREA

Trees enclosed by this fence are protected and are subject to the conditions of the tree permit. Violation of tree conditions may lead to:

1. Correction Notices or Stop Work Orders until compliance is achieved
2. RE Inspection Fees
3. Arborist reports recommending mitigation

- Notes**
1. No pruning shall be performed unless under the direction of an arborist
 2. No equipment shall be stored or operated inside the protective fencing including during fence installation and removal
 3. No storage of materials shall occur inside the protective fencing
 4. Refer to Site/Utility Plan for allowable modifications to the tree protection area.
 5. Unauthorized activities in tree protection area may require evaluation by private arborist to identify impacts and mitigation required
 6. Exposed roots: For roots > 1" damaged during construction, make a clean straight cut to remove damaged portion and inform City Arborist



Tree protection fence: 4'-6" chain link fence, solidly anchored into the ground, or if authorized High-density polyethylene fencing with 3.5" x 1.5" openings, color orange. Steel posts installed at 8' o.c.

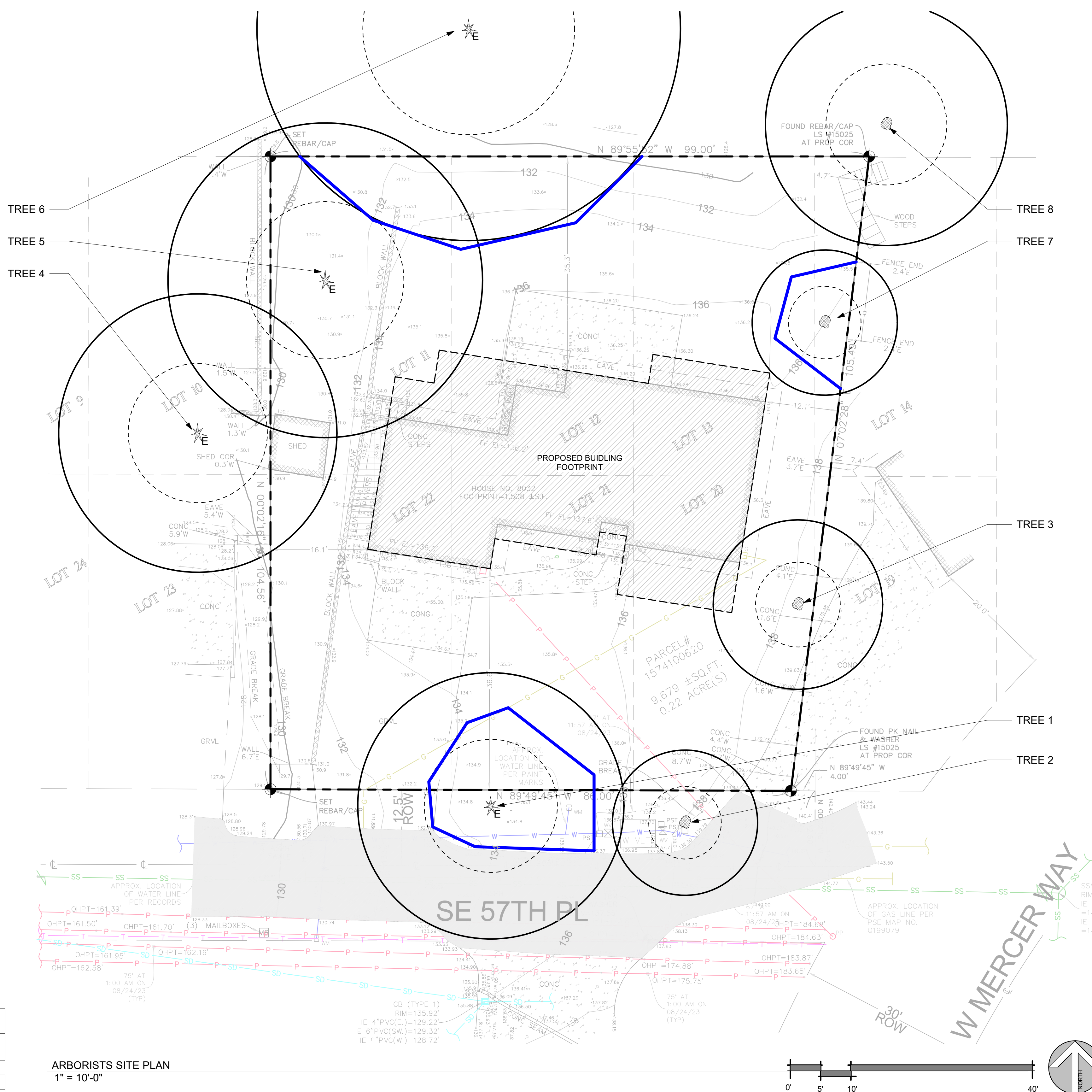
2" x 6" steel posts or approved equal

Maintain existing grade with the tree protection fence unless otherwise indicated on the plans.

Any Work in the protected area must be with the permission of the City Arborist john.kennedy@mercera.gov

Tree Schedule

ID	Common Name	Scientific Name	# of Trunks	DBH/DSH	Dripline	Condition	Retain	Comments
1	SPRUCE	Picea	1	36.0"	22' - 0"	GOOD	Yes	ROW
2	CHERRY	Prunus	1	6.0"	12' - 0"	GOOD	Yes	ROW
3	COTTONWOOD	Populus deltoides	1	10.0"	14' - 0"	GOOD	Yes	
4	WESTERN RED CEDAR	Thuja plicata	1	38.0"	23' - 0"	GOOD	Yes	
5	DOUGLAS FIR	Pseudotsuga menziesii	1	48.0"	26' - 0"	GOOD	Yes	
6	BIG LEAF MAPLE	Acer macrophyllum	1	32.0"	35' - 0"	POOR	Yes	
7	MAGNOLIA	Magnolia	1	7.0"	12' - 0"	GOOD	Yes	
8	BIG LEAF MAPLE	Acer macrophyllum	1	14.0"	20' - 0"	GOOD	Yes	



ARBORISTS SITE PLAN
1" = 10'-0"



PREPARED BY:
NEAL BAKER
ARBORISTS NW.COM
ISA CERT. PN1075A
TRAQ ISA (TREE RISK ASSESSMENT QUALIFIED)
MEMBER AREA & SOCA
PH: 206 779 2579

arboristsNW

Arborists NW is a full spectrum arboricultural, consulting and landscape design and installation provider. When you think tree and landscape services, think Arborists NW.

ONLINE: <https://arboristsnw.com/>
PHONE: 206-779-2579
EMAIL: neal@arboristsnw.com

No.	Description	Date

RUDD PLAN

8032 SE 57TH ST, MERCER ISLAND, WA 98040

RUDD PLAN

ARBORIST TREE PLAN

Project number	24008
Date	
Drawn by	CW
Checked by	NB

X100

Scale As indicated