

WEST ELEVATION

REVIEWED AND NOTED FOR DESIGN INTENT ONLY. DIMENSIONS AND QUANTITIES ARE NOT GUARANTEED.

REVIEWED FOR LOADS IMPOSED ON BASIC STRUCTURE ONLY.

NOT REVIEWED

NO EXCEPTIONS TAKEN

NOTE MARKINGS

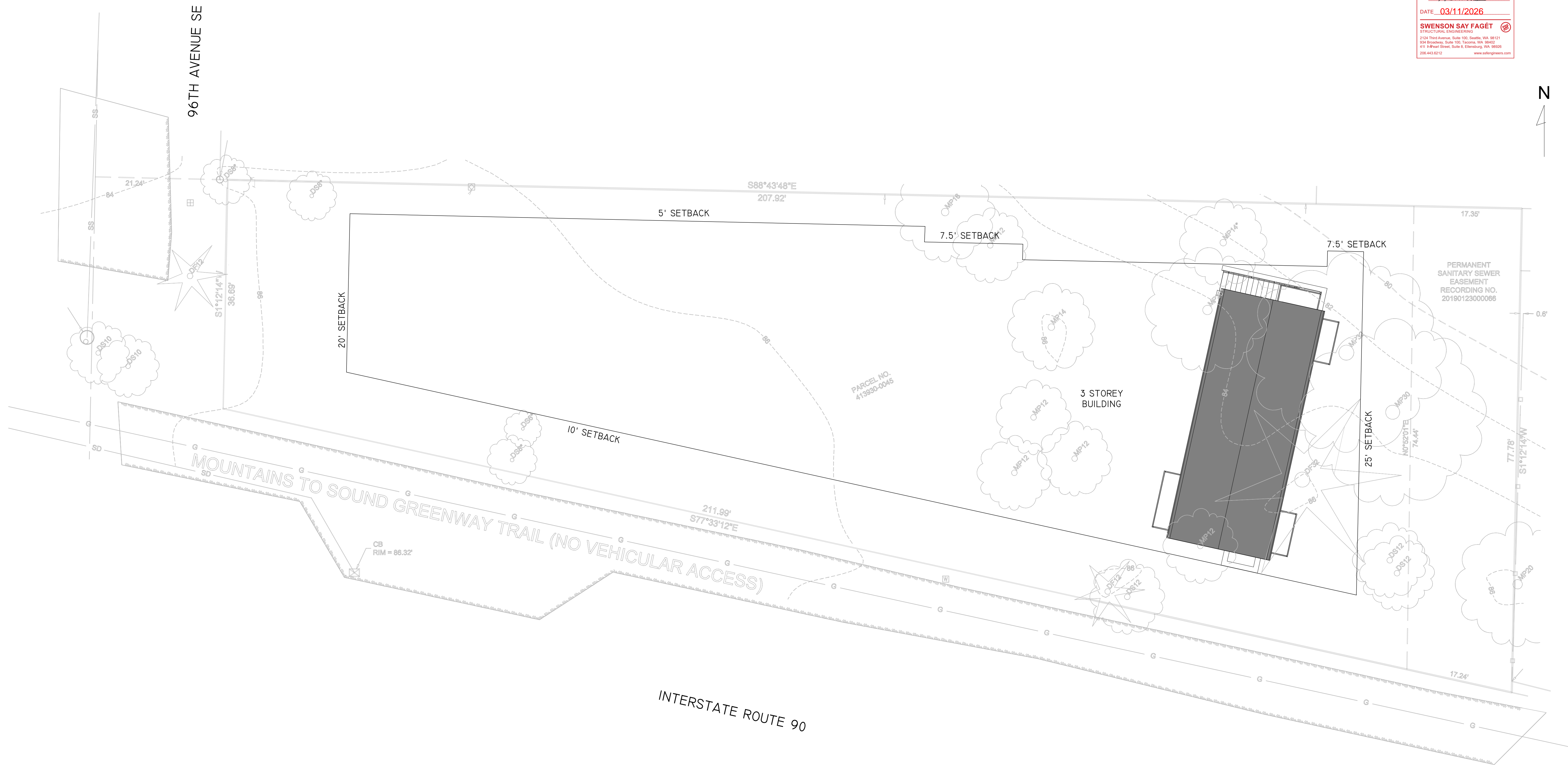
COMMENTS ATTACHED

REVISE & RESUBMIT

BY *RF*

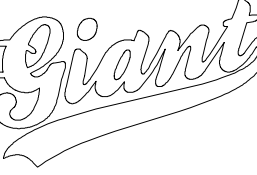
DATE 03/11/2026

SWENSON SAY FAGET
STRUCTURAL ENGINEERING
2124 Third Avenue, Suite 100, Seattle, WA 98121
834 Broadway, Suite 100, Tacoma, WA 98402
411 5th Street, Suite 6, Everett, WA 98205
206.443.6212 www.ssfengineers.com



GIANT CONTAINERS INC.

125 UNWIN AVE
TORONTO, ON M5A 1A2
888.974.4268
WWW.GIANTCONTAINERS.COM



PROJECT
MERCER ISLAND HOUSE
MERCER ISLAND, WASHINGTON, USA

CLIENT
SAM ADAMS
3508 96TH AVE SE
MERCER ISLAND, WA
98040
USA

CONSULTANT
SSF STRUCTURAL ENGINEERING
2124 THIRD AVENUE, SUITE 100
SEATTLE, WA 98121
206.443.6212
WWW.SSFENGINEERS.COM



NO.	DATE	DESCRIPTION
A	2025-10-27	SHOP DRAWINGS 1ST ISSUE

STAMP

SHEET TITLE
GENERAL PLAN

SCALE **1:100**
DRAWN BY **FF** SHEET **2**

DISCLAIMER
THE IDEAS AND DESIGNS REPRESENTED HEREIN WERE PREPARED BY, OR AS WORK MADE FOR HIRE FOR, GIANT CONTAINERS, INC. GIANT CONTAINERS, INC. DOES HEREBY RESERVE ALL COMMON LAW, STATUTORY AND OTHER RIGHTS, INCLUDING COPYRIGHTS IN AND TO THE IDEAS AND DESIGNS SHOWN AND EXPRESSED HEREIN WHICH IDEAS AND DESIGNS MAY NOT BE USED OR REUSED BY ANY OTHER PERSON WITHOUT PRIOR WRITTEN CONSENT OF GIANT CONTAINERS, INC. SUBMITTAL OR DISTRIBUTION TO MEET OFFICIAL REGULATORY REQUIREMENTS OR FOR OTHER PURPOSES IN CONNECTION WITH THIS PROJECT IS NOT TO BE CONSTRUED AS PUBLICATION IN DEROGATION GIANT CONTAINERS INC.'S COPYRIGHTS OR OTHER RESERVED RIGHTS.



REVIEWED AND NOTED FOR DESIGN INTENT ONLY. DIMENSIONS AND QUANTITIES ARE NOT GUARANTEED.	<input checked="" type="checkbox"/>
REVIEWED FOR LOADS IMPOSED ON BASIC STRUCTURE ONLY.	<input type="checkbox"/>
NOT REVIEWED	<input type="checkbox"/>
NO EXCEPTIONS TAKEN	<input checked="" type="checkbox"/>
NOTE MARKINGS	<input type="checkbox"/>
COMMENTS ATTACHED	<input type="checkbox"/>
REVISE & RESUBMIT	<input type="checkbox"/>
BY <i>R.M.C.</i>	
DATE 03/11/2026	
SWENSON SAY FAGET STRUCTURAL ENGINEERING 2124 Third Avenue, Suite 100, Seattle, WA 98121 206.443.6212 411 9th Street, Suite 8, Ellensburg, WA 98926 206.443.6212	<input checked="" type="checkbox"/>

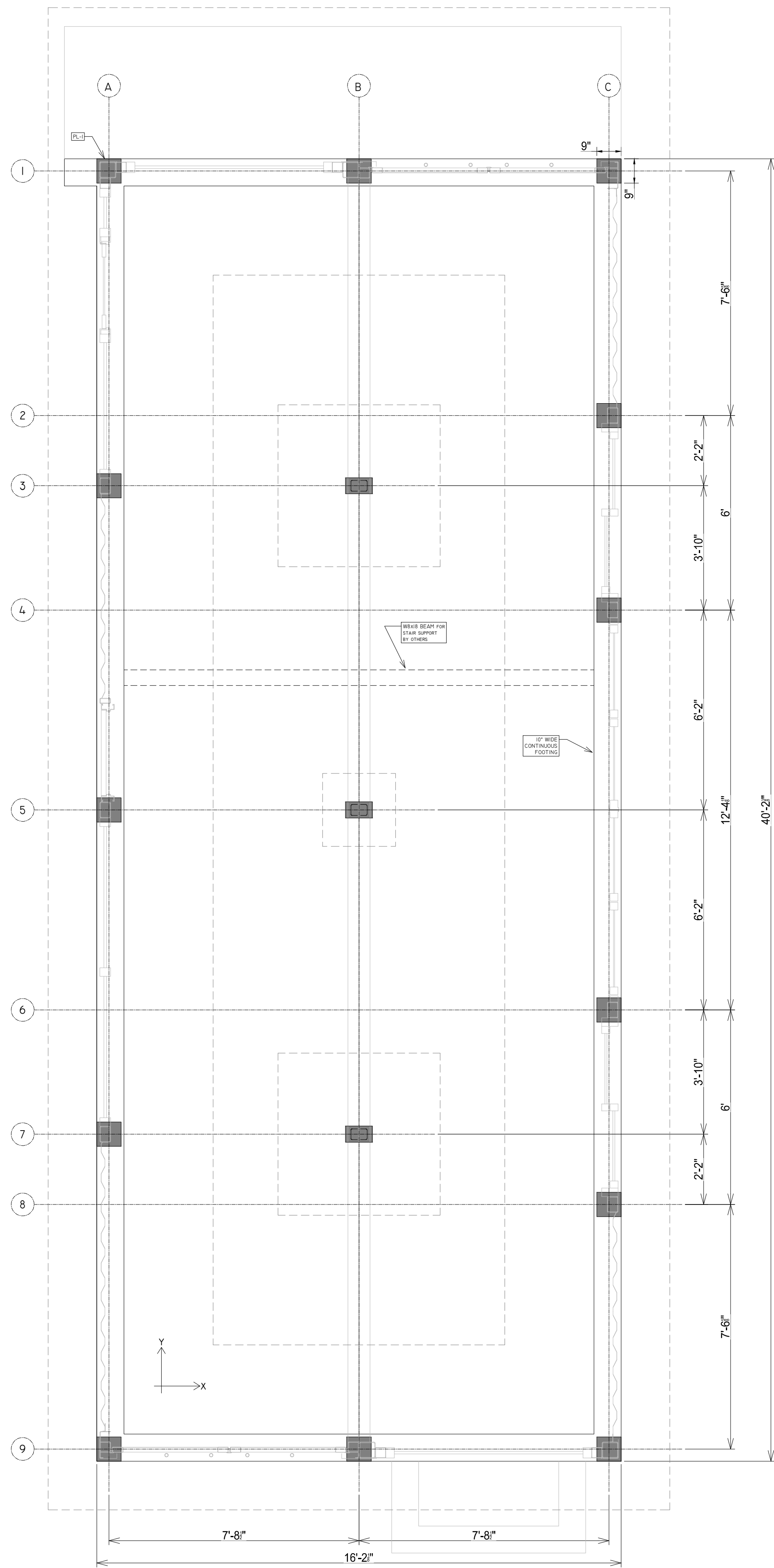
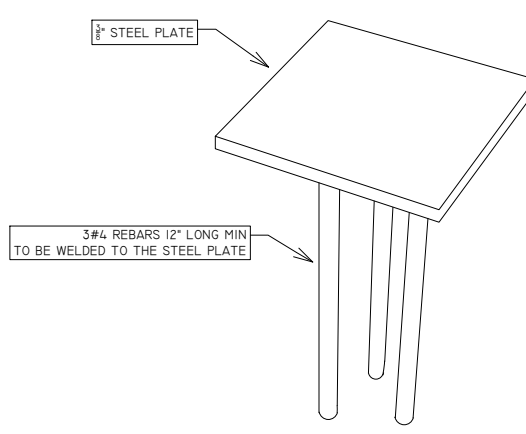
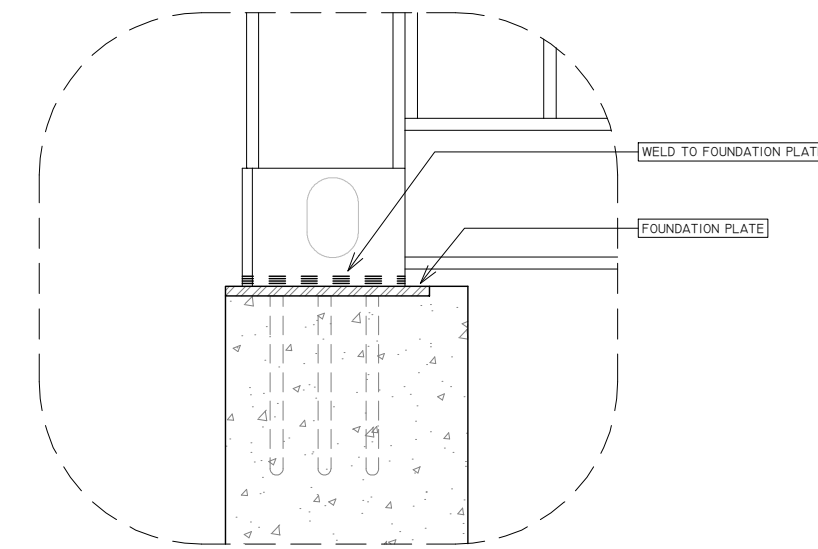


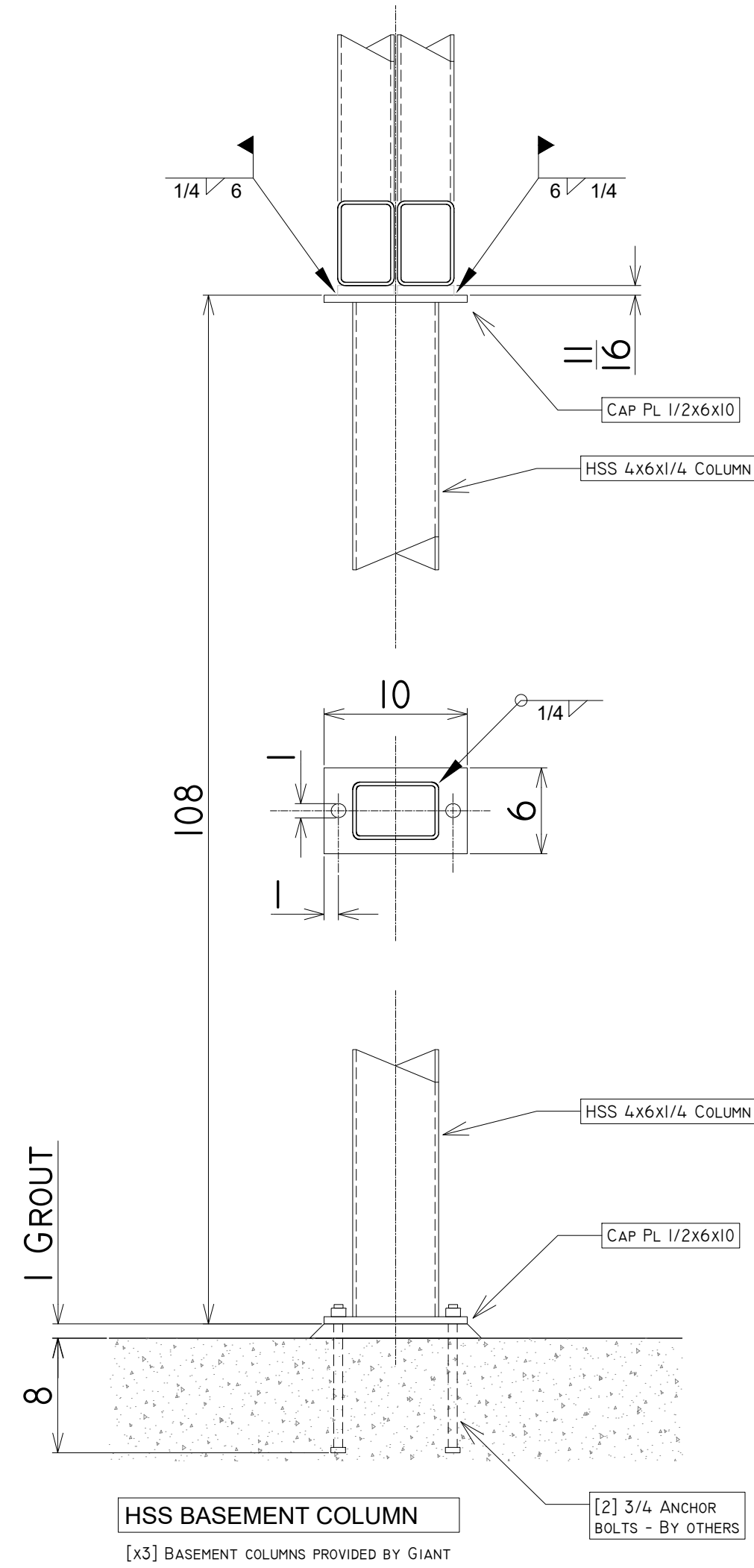
PLATE SCHEDULE		
NO.	WIDTH (in) (X)	LENGTH (in) (Y)
PL-1	9	9



DETAIL A1
PERSPECTIVE VIEW OF STEEL PLATE TO BE EMBEDDED IN FOUNDATION
FOUNDATION PLATES PROVIDED BY OTHERS



DETAIL A2
STEEL PLATE EMBEDDED IN FOUNDATION AND WELDED TO CONTAINER CORNER FITTING



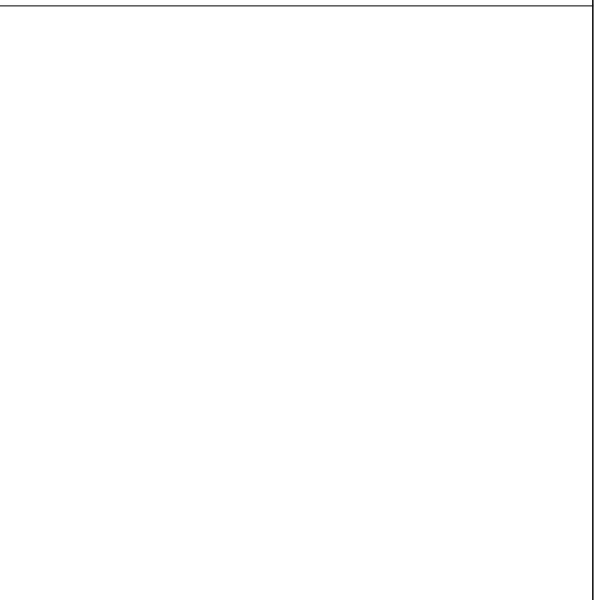
FOUNDATION PLAN

GIANT CONTAINERS INC. IS NOT RESPONSIBLE FOR ANY DESIGN/WORK DRAWING FOR REFERENCE ONLY - FOUNDATION DESIGN BY OTHERS

ISSUE/REVISION

NO.	DATE	DESCRIPTION
A	2025-10-27	SHOP DRAWINGS 1ST ISSUE

STAMP



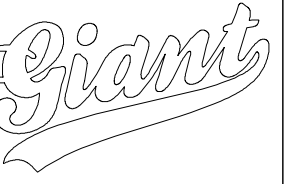
SHEET TITLE
FOUNDATION PLAN

SCALE **1:30**

DRAWN BY **FF** SHEET **4**

DISCLAIMER

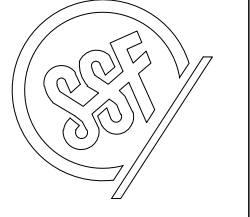
THE IDEAS AND DESIGNS REPRESENTED HEREIN WERE PREPARED BY, OR AS WORK MADE FOR HIRE FOR, GIANT CONTAINERS, INC. GIANT CONTAINERS, INC. DOES HEREBY RESERVE ALL COMMON LAW, STATUTORY AND OTHER RIGHTS, INCLUDING COPYRIGHTS IN AND TO THE IDEAS AND DESIGNS SHOWN AND EXPRESSED HEREIN WHICH IDEAS AND DESIGNS MAY NOT BE USED OR REUSED BY ANY OTHER PERSON WITHOUT PRIOR WRITTEN CONSENT OF GIANT CONTAINERS, INC. SUBMITTAL OR DISTRIBUTION TO MEET OFFICIAL REGULATORY REQUIREMENTS OR FOR OTHER PURPOSES IN CONNECTION WITH THIS PROJECT IS NOT TO BE CONSTRUED AS PUBLICATION IN DEROGATION GIANT CONTAINERS INC.'S COPYRIGHTS OR OTHER RESERVED RIGHTS.



PROJECT
MERCER ISLAND HOUSE
MERCER ISLAND, WASHINGTON, USA

CLIENT
SAM ADAMS
3508 96TH AVE SE
MERCER ISLAND, WA
98040
USA

CONSULTANT
SSF STRUCTURAL ENGINEERING
2124 THIRD AVENUE, SUITE 100
SEATTLE, WA 98121
206.443.6212
WWW.SSFENGINEERS.COM



REVIEWED AND NOTED FOR DESIGN INTENT ONLY. DIMENSIONS AND QUANTITIES ARE NOT GUARANTEED.

REVIEWED FOR LOADS IMPOSED ON BASIC STRUCTURE ONLY

NOT REVIEWED

NO EXCEPTIONS TAKEN

NOTE MARKINGS

COMMENTS ATTACHED

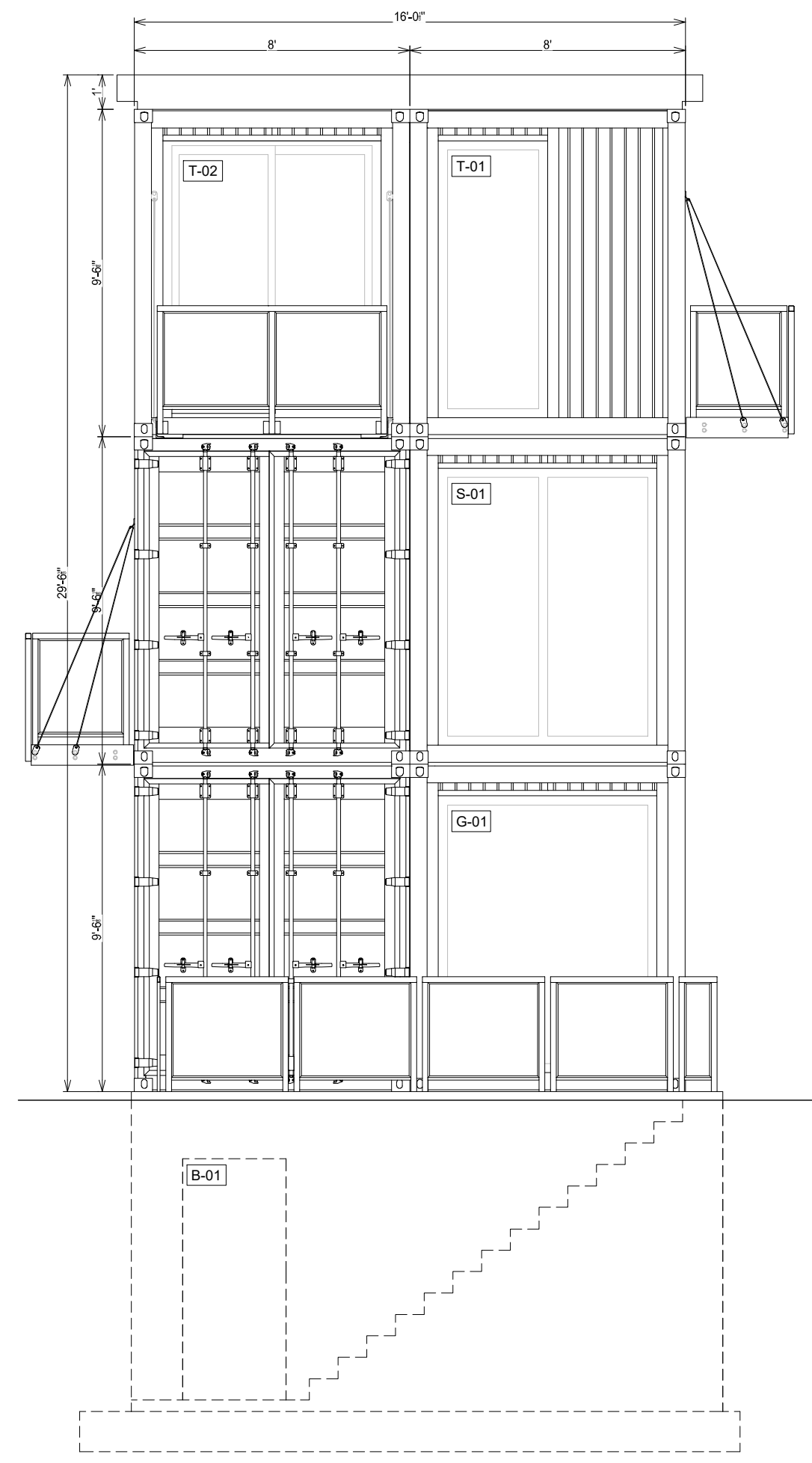
REVISE & RESUBMIT

BY RJC

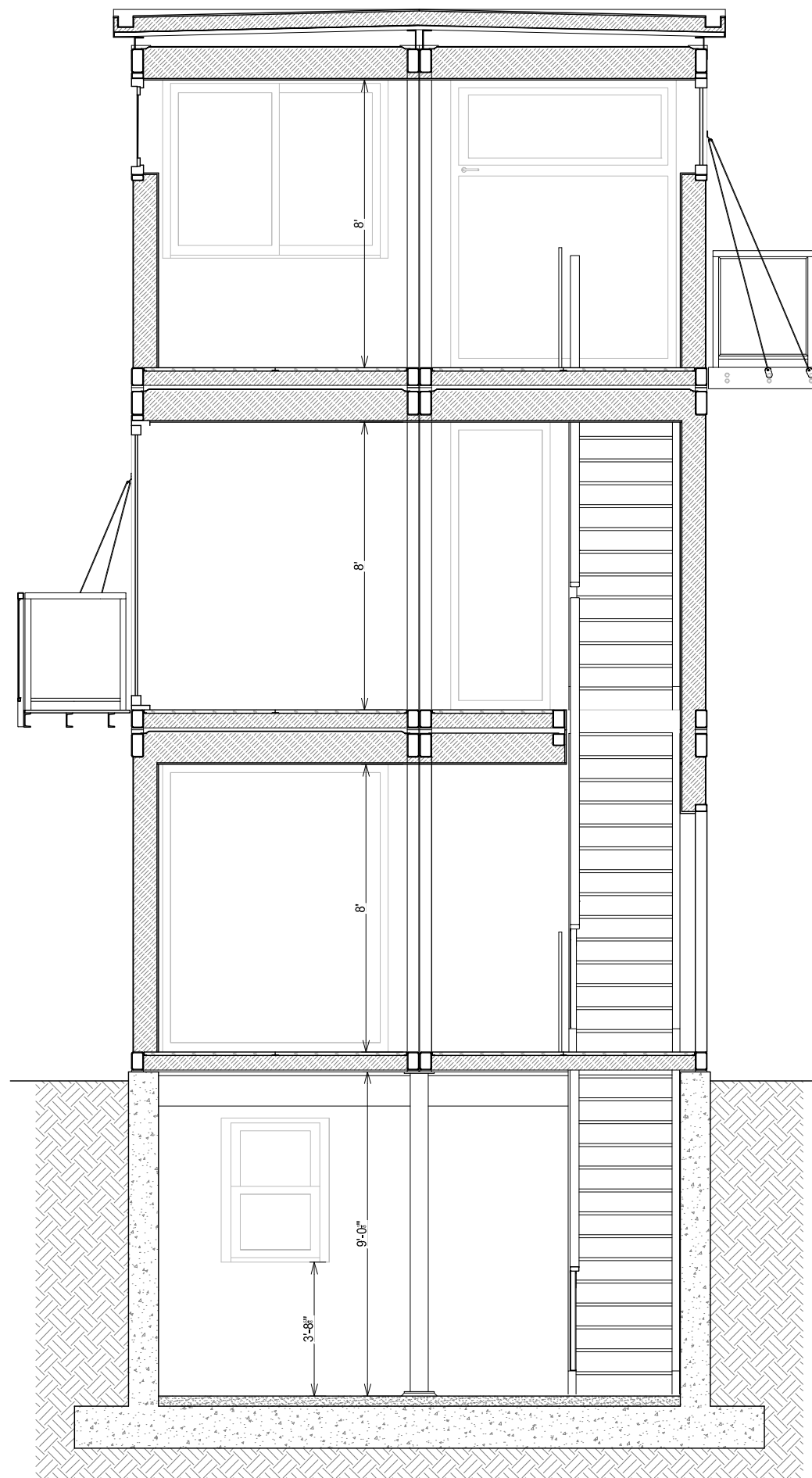
DATE 03/12/2026

SWENSON SAY FAGET
STRUCTURAL ENGINEERING
2124 Third Avenue, Suite 100, Seattle, WA 98121
504 Broadway, Suite 100, Tacoma, WA 98402
415 Midwest Street, Suite 8, Everett, WA 98202
206.443.6212 www.ssfengineers.com

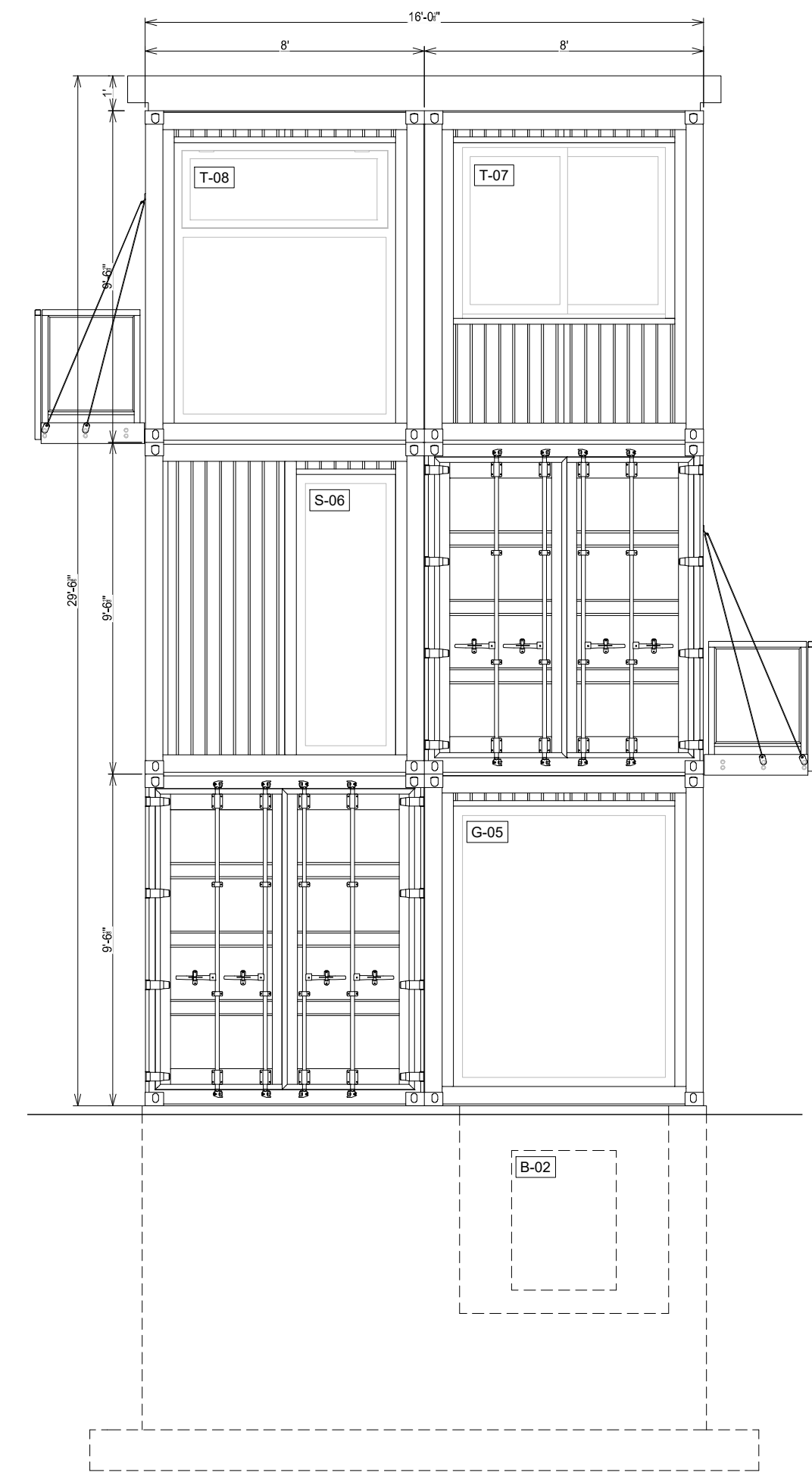
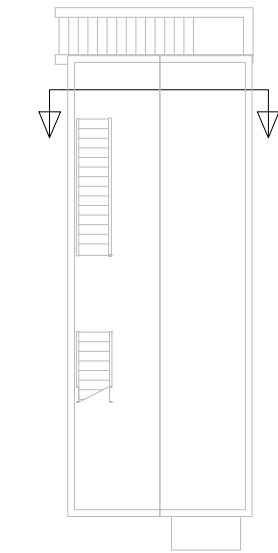
Stairs and balconies handrails by others. Not reviewed



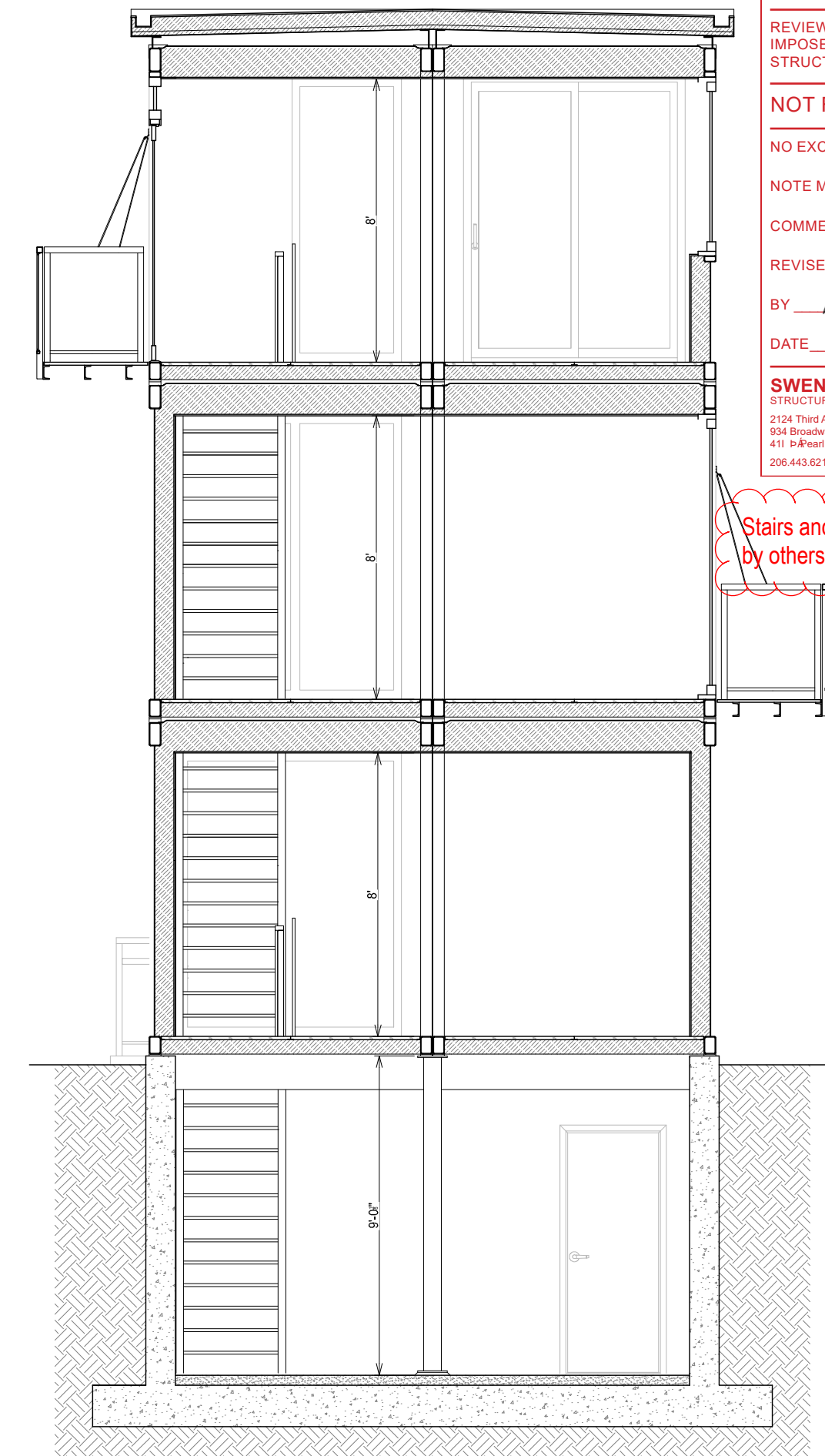
NORTH ELEVATION



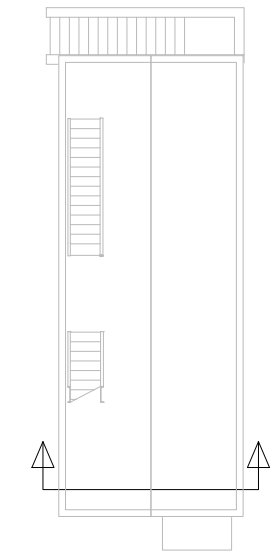
SECTION C-c



SOUTH ELEVATION



SECTION D-d



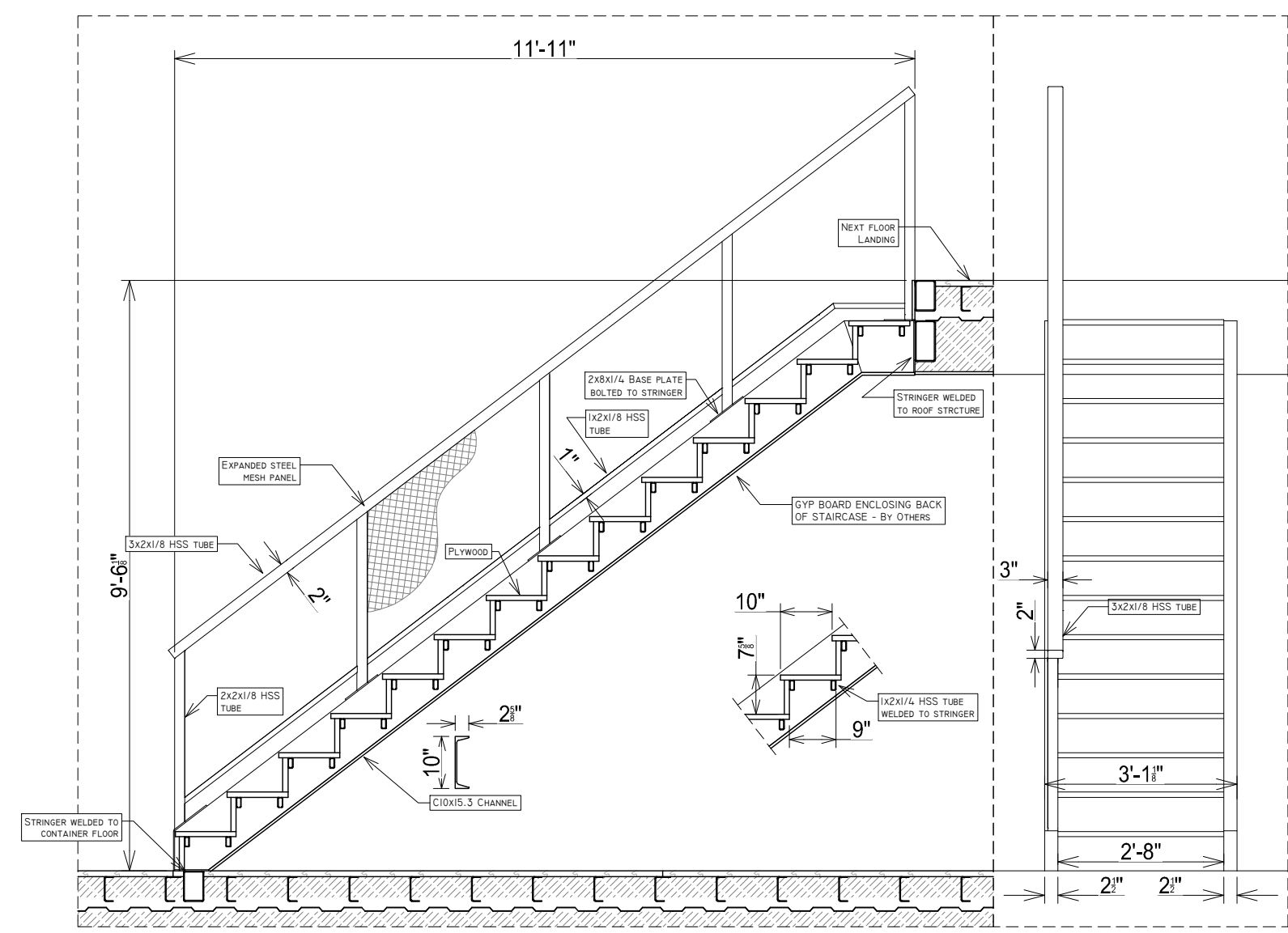
ISSUE/REVISION	

NO.	DATE	DESCRIPTION
A	2025-10-27	SHOP DRAWINGS 1ST ISSUE

STAMP

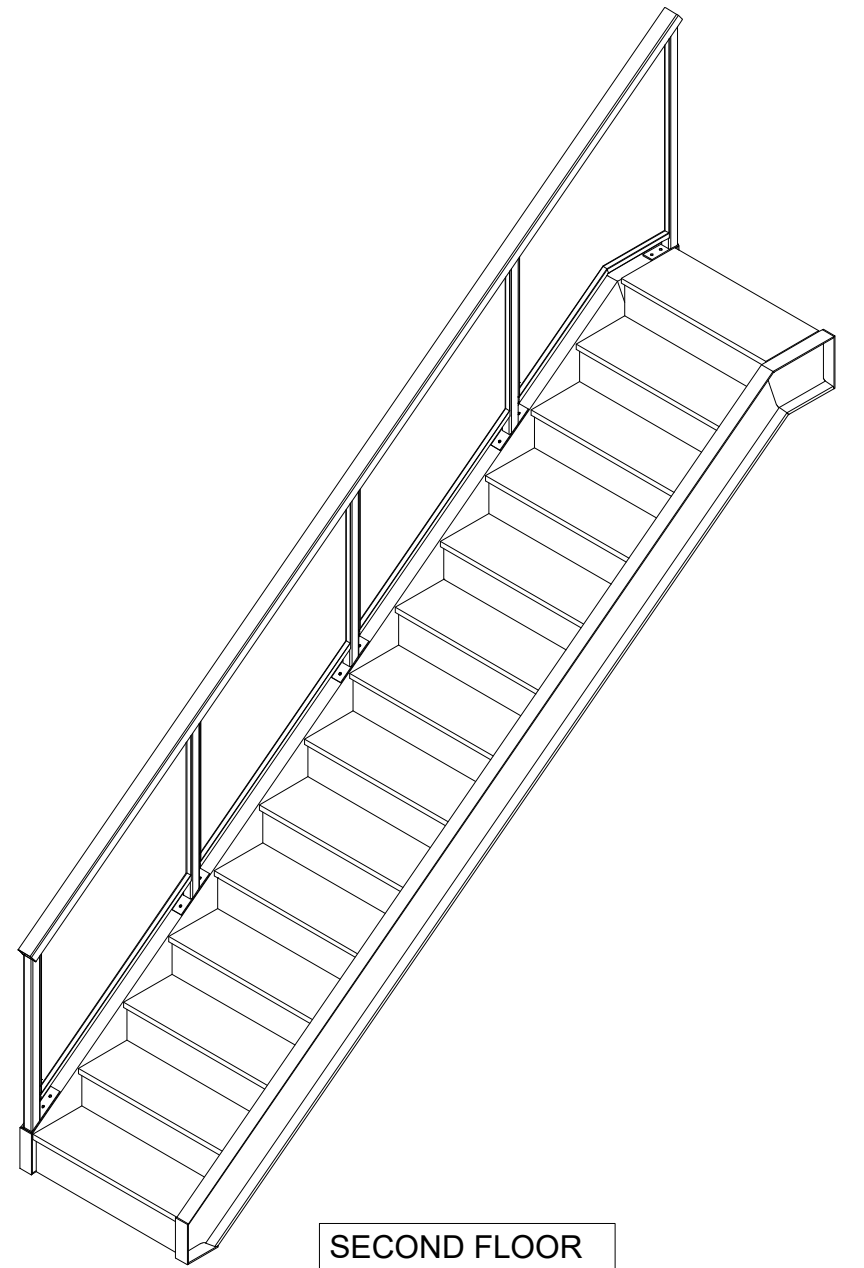
SHEET TITLE
ELEVATION AND SECTION

SCALE **1:50**
DRAWN BY **FF** SHEET **10**

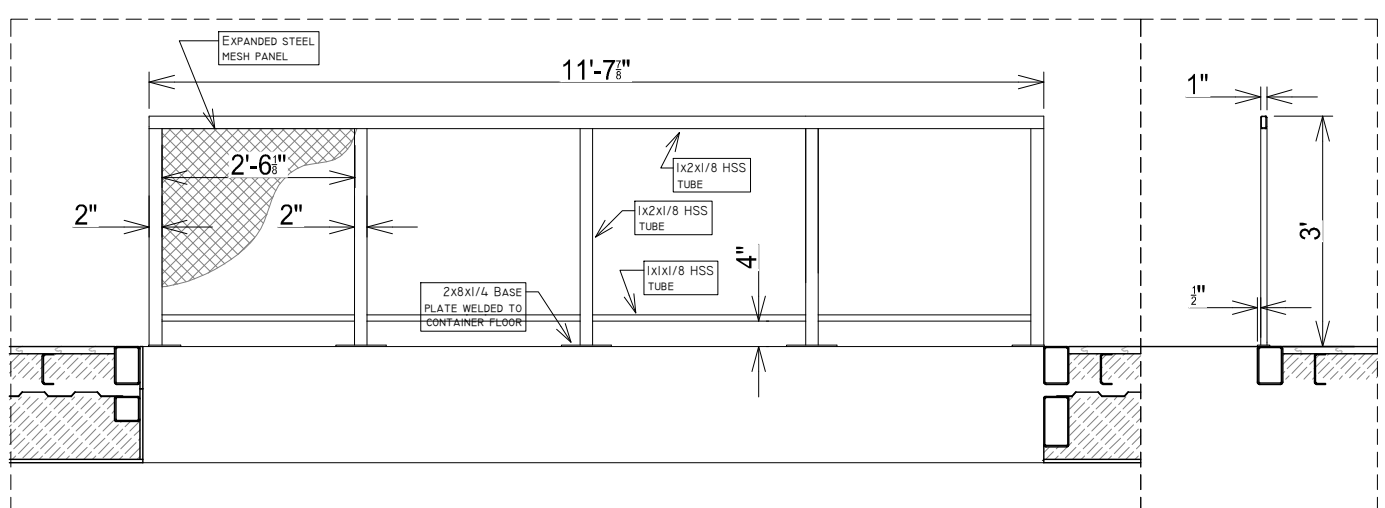


SECOND FLOOR STAIR - SECTION DETAIL

FRONT VIEW

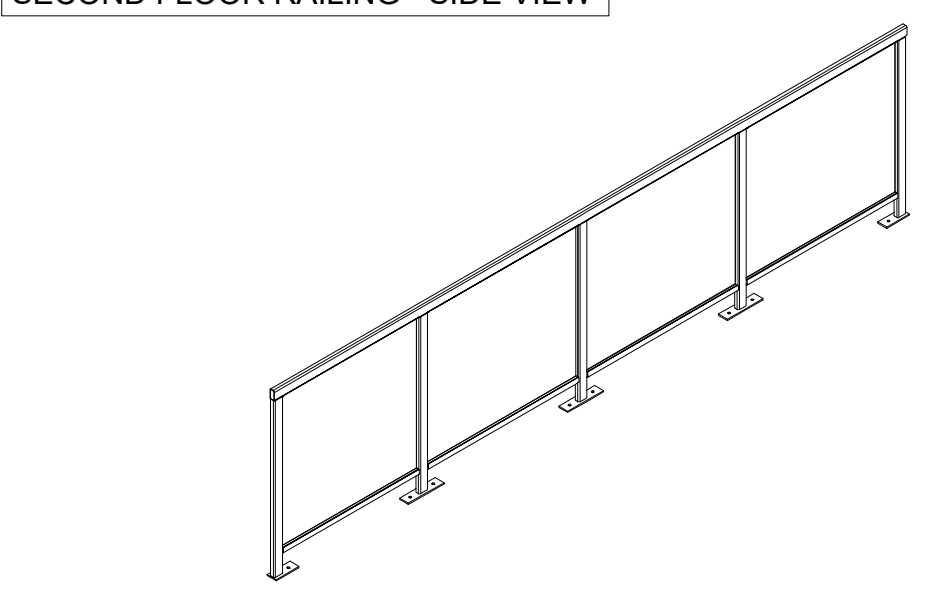


SECOND FLOOR STAIR - ISO VIEW

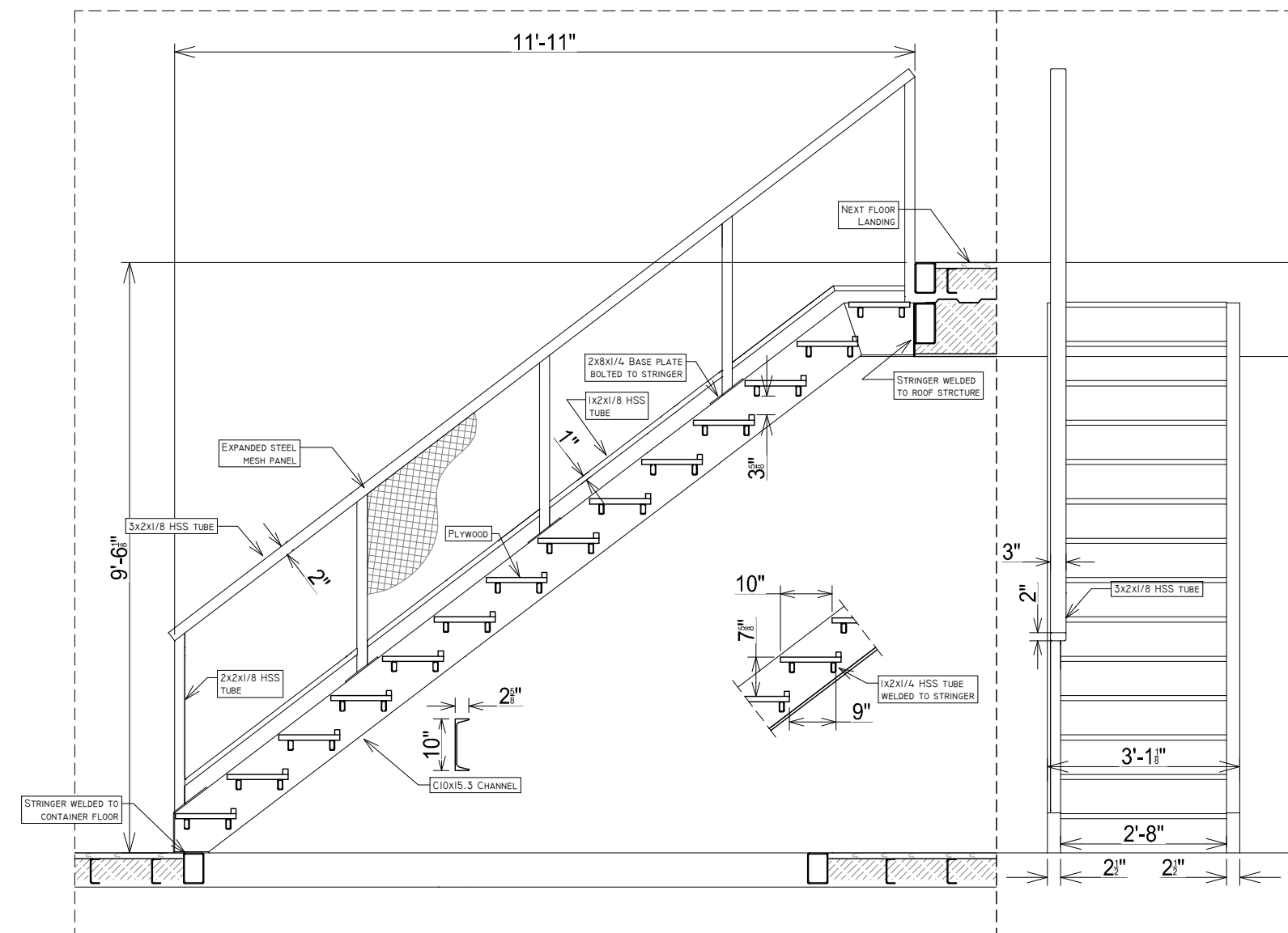


SECOND FLOOR RAILING - SIDE VIEW

FRONT VIEW

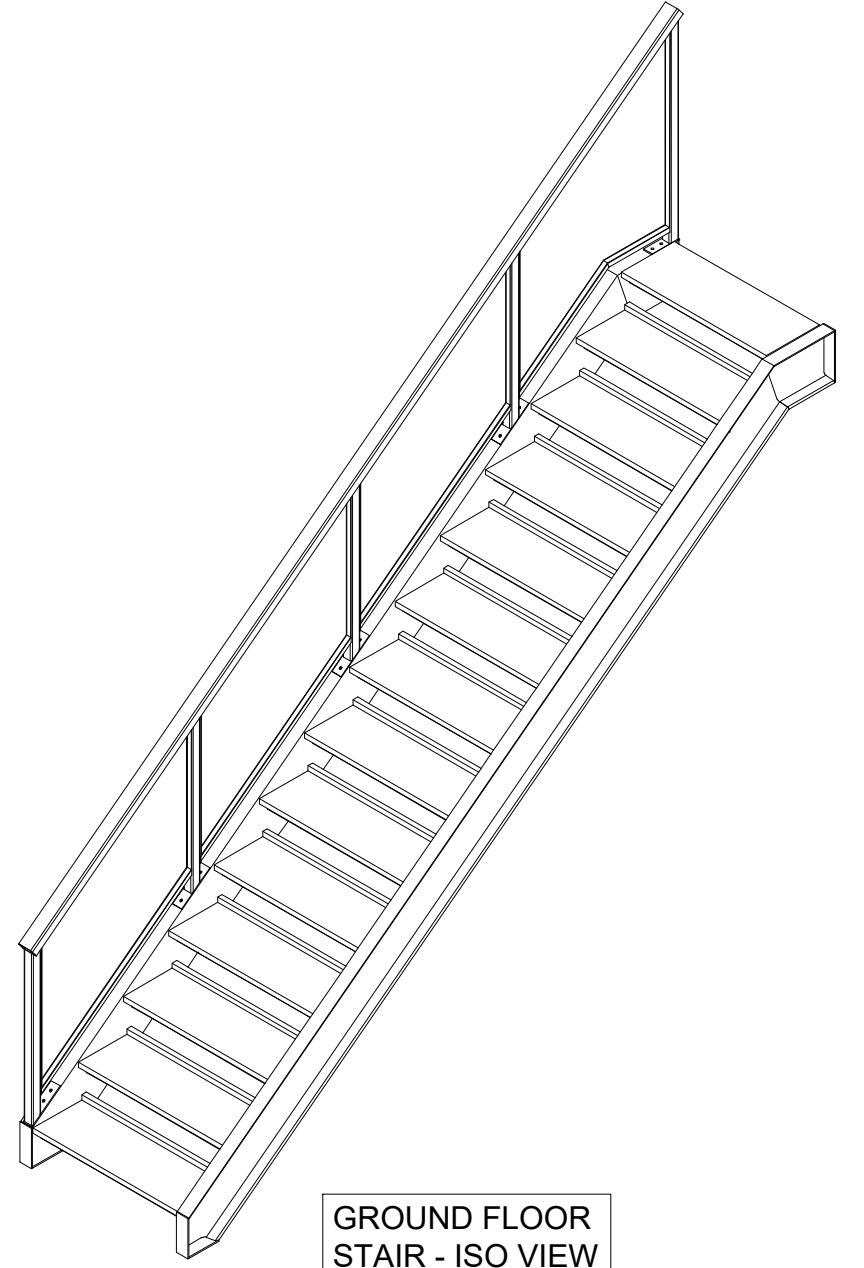


SECOND FLOOR RAILING - ISO VIEW

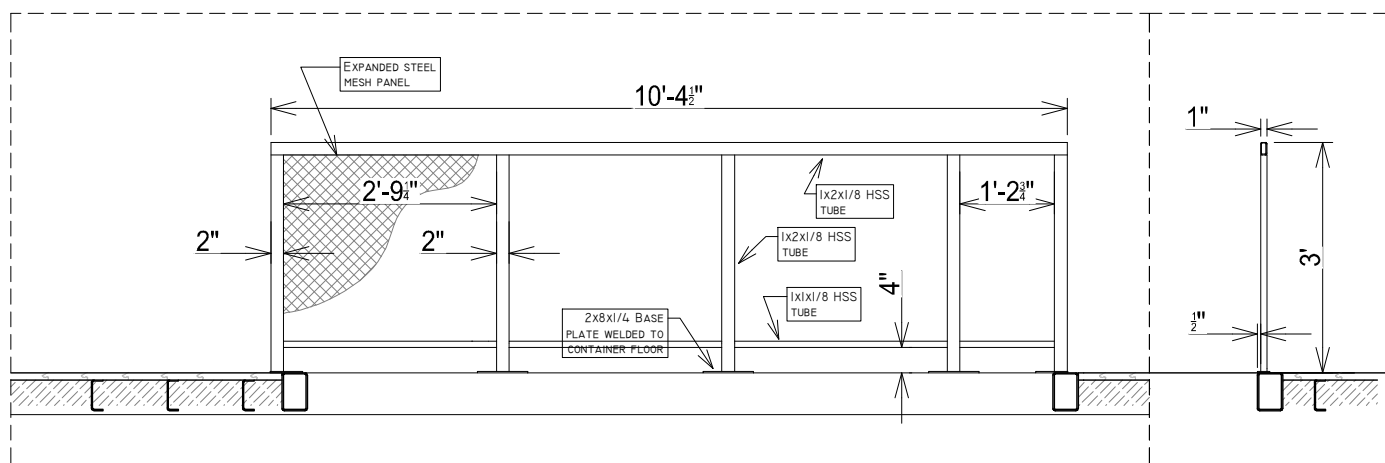


GROUND FLOOR STAIR - SECTION DETAIL

FRONT VIEW

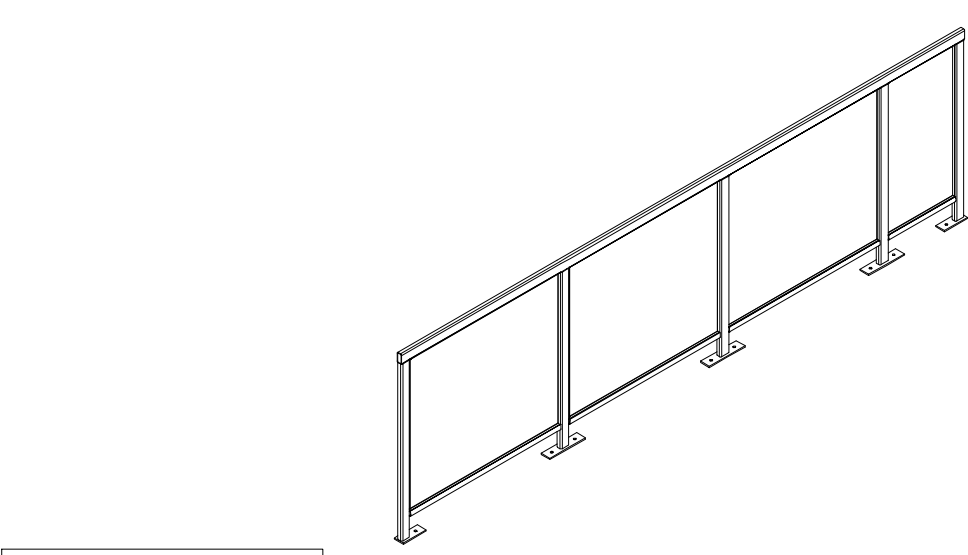


GROUND FLOOR STAIR - ISO VIEW

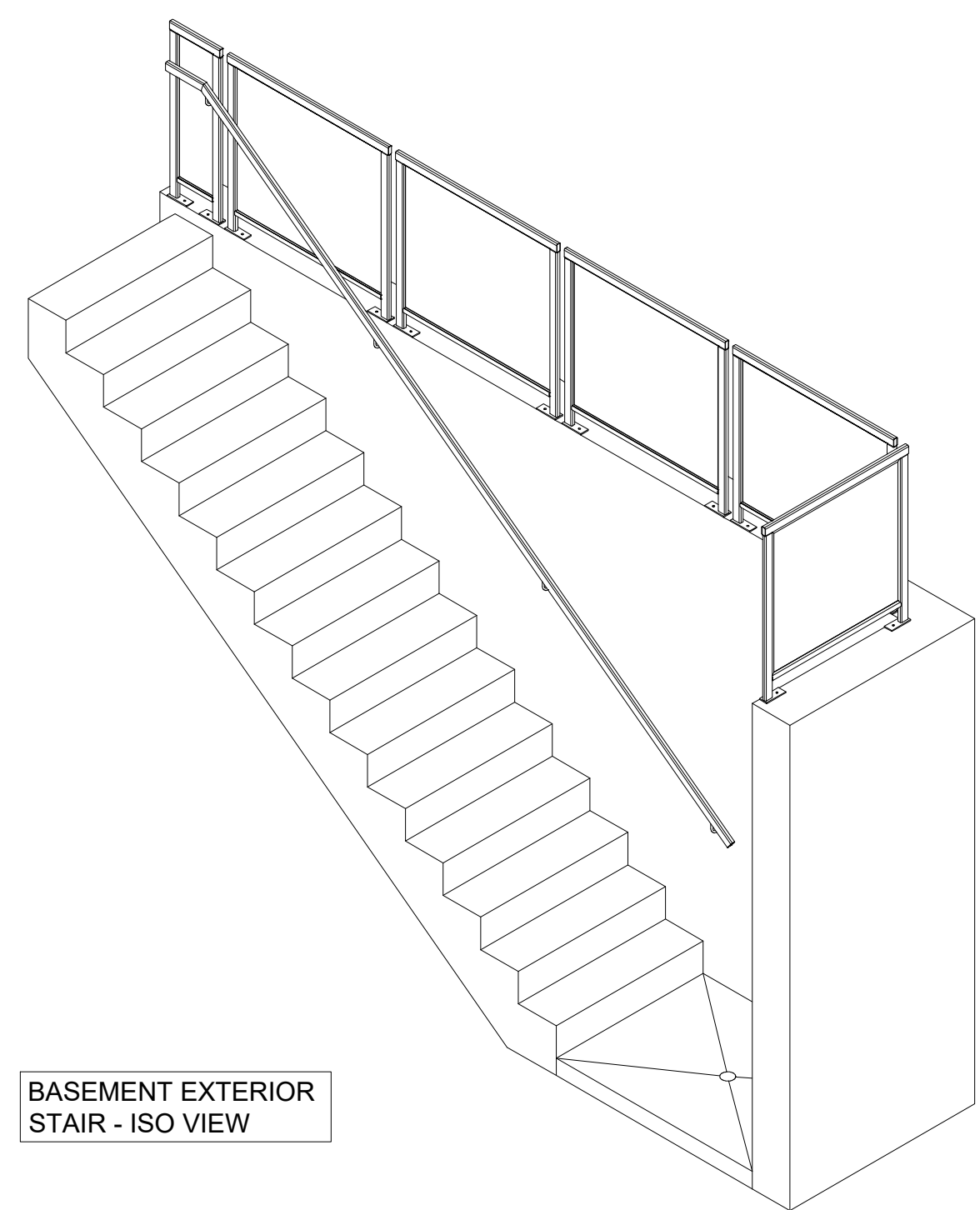


GROUND FLOOR RAILING - SIDE VIEW

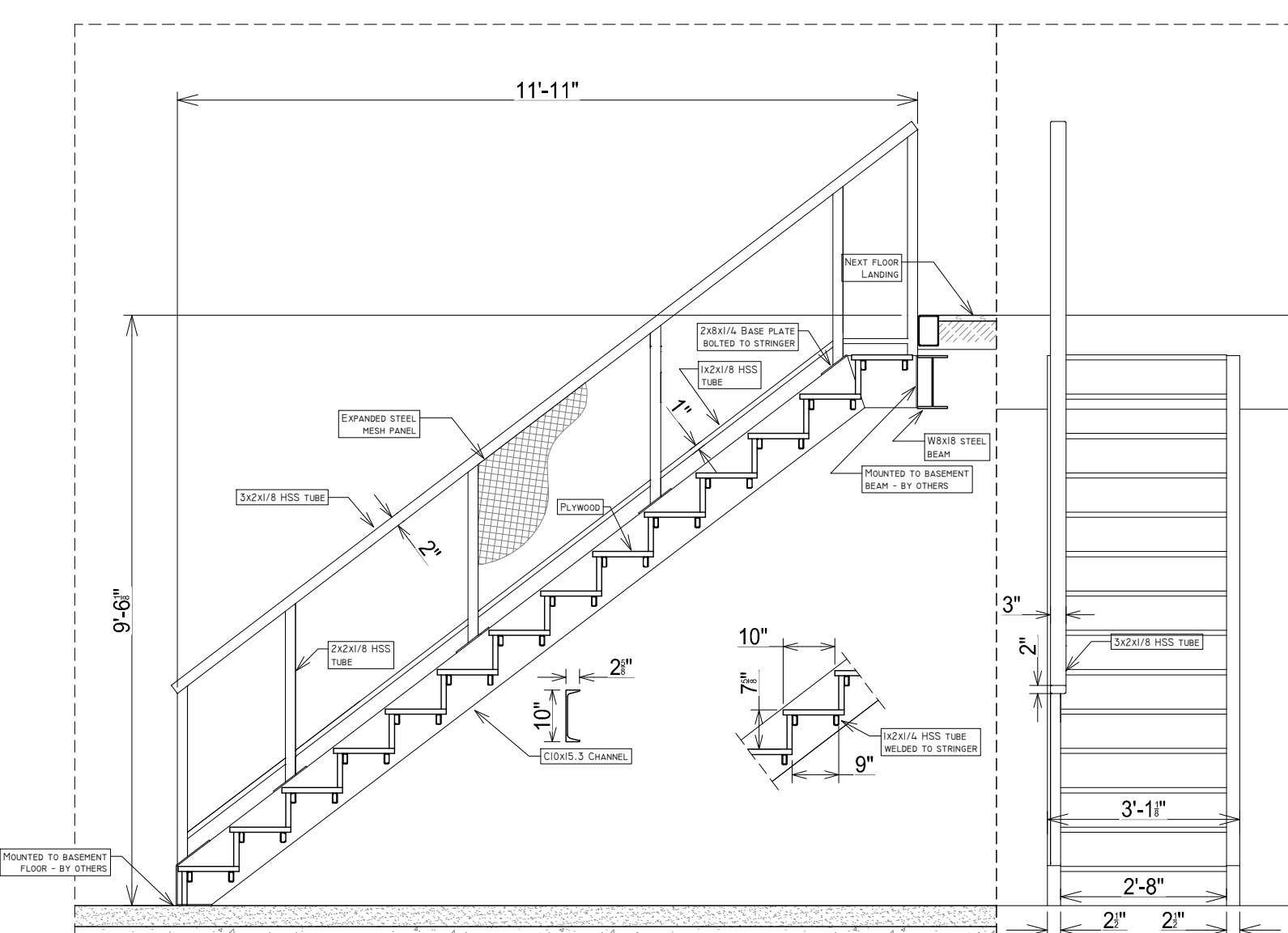
FRONT VIEW



GROUND FLOOR RAILING - ISO VIEW

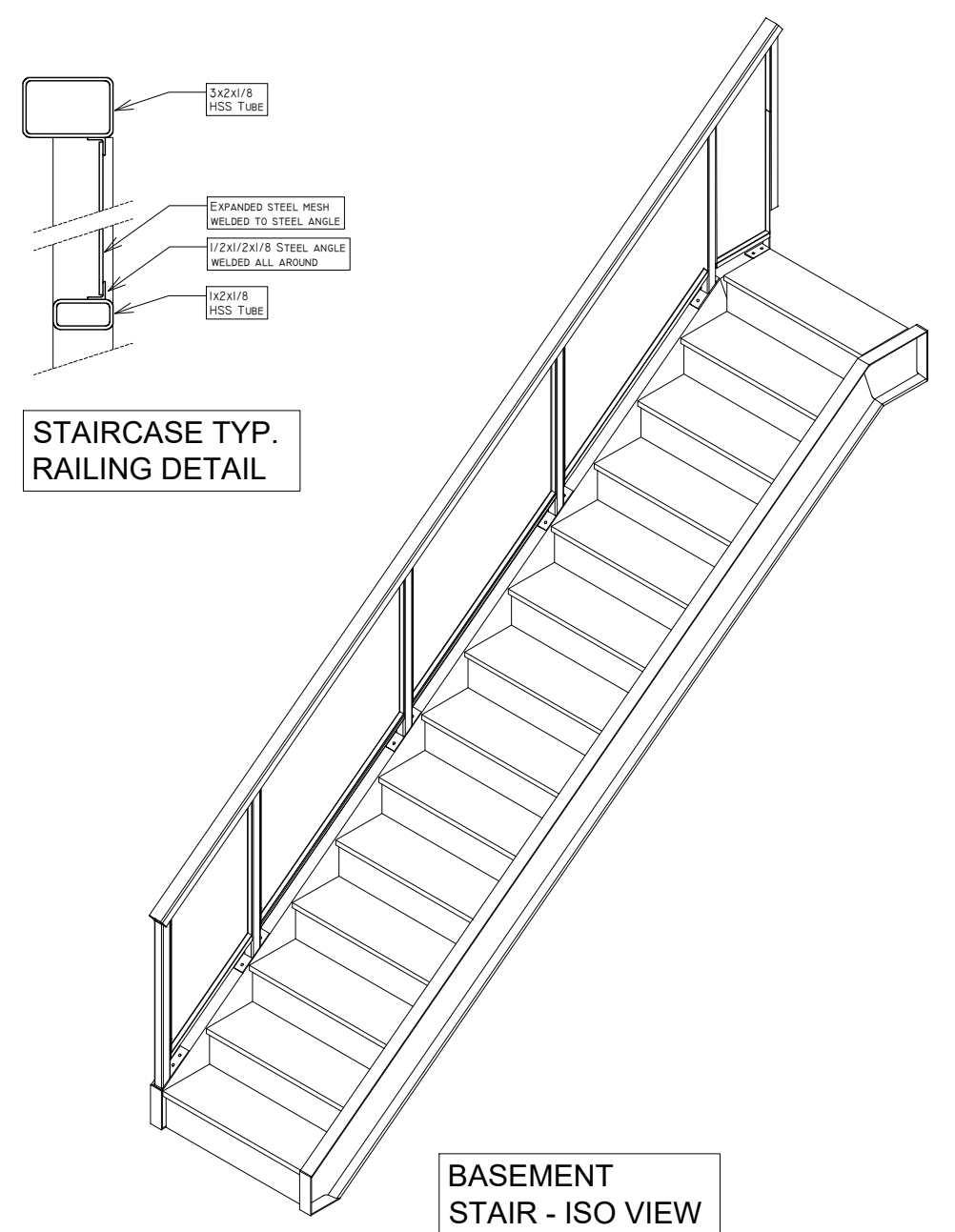


BASEMENT EXTERIOR STAIR - ISO VIEW



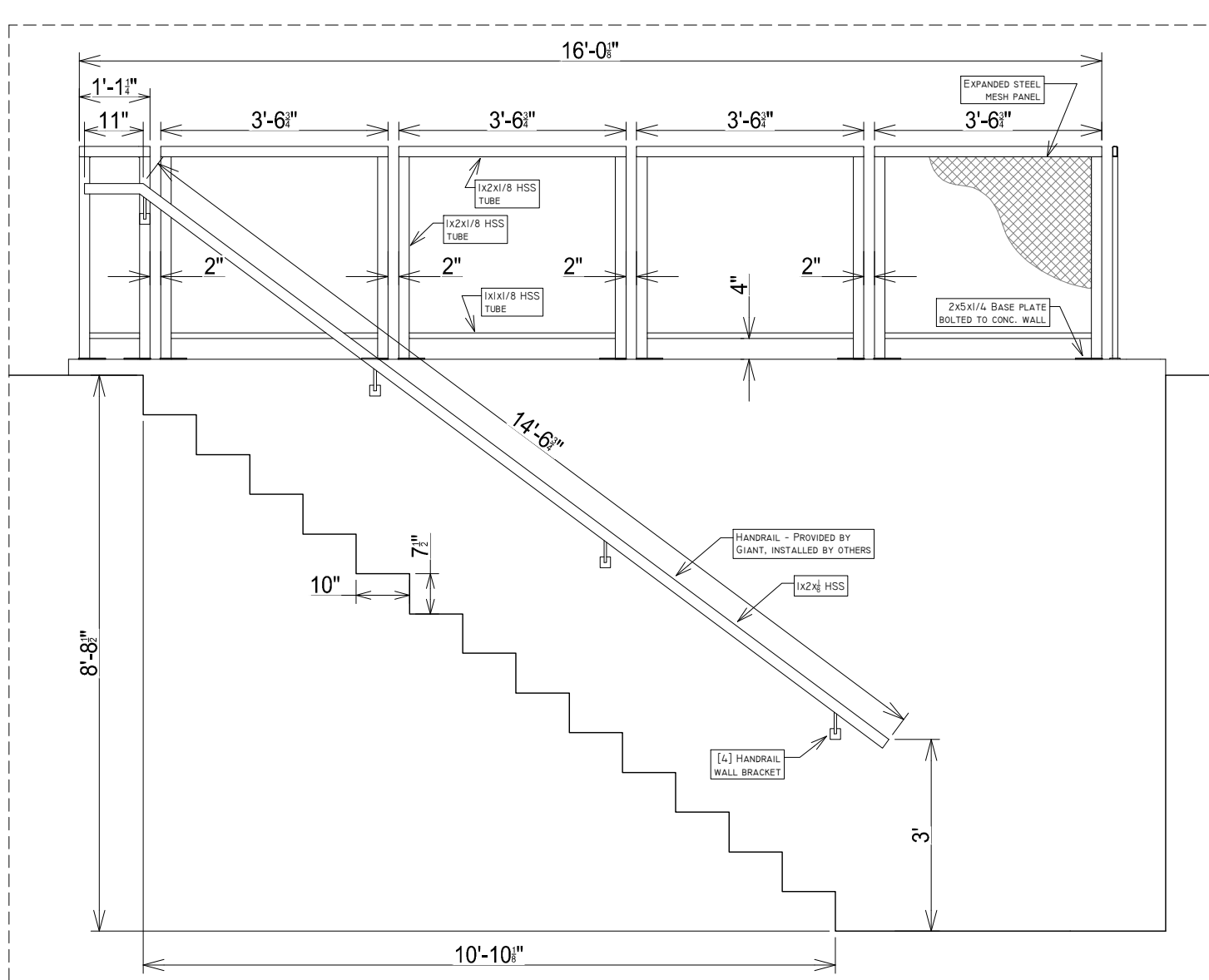
BASEMENT STAIR - SECTION DETAIL

FRONT VIEW

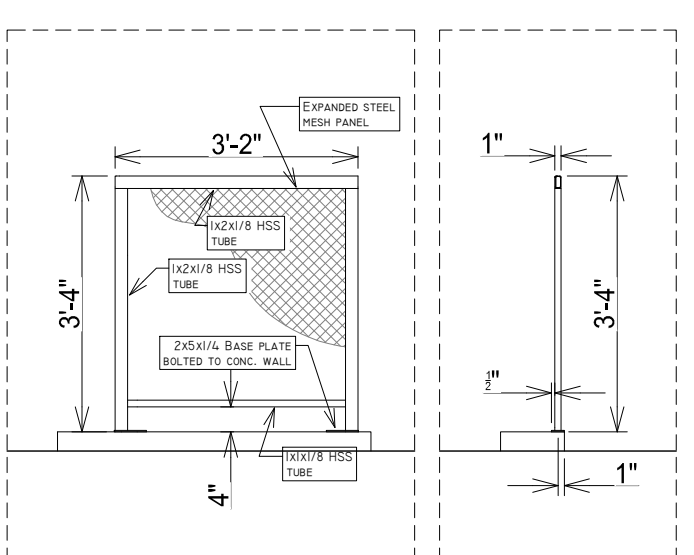


STAIRCASE TYP. RAILING DETAIL

BASEMENT STAIR - ISO VIEW

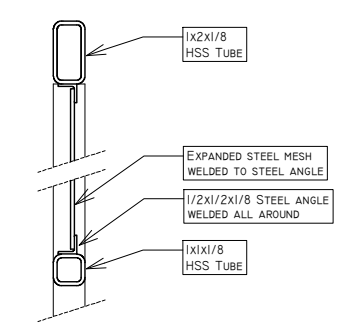


BASEMENT EXTERIOR STAIR - SECTION DETAIL



SIDE VIEW

FRONT VIEW



TYP. RAILING DETAIL

NOTE:
I. ALL TUBING USED FOR RAILINGS MUST BE CAPPED.

REVIEWED AND NOTED FOR DESIGN INTENT ONLY. DIMENSIONS AND QUANTITIES ARE NOT GUARANTEED.	<input checked="" type="checkbox"/>
REVIEWED FOR LOADS IMPOSED ON BASIC STRUCTURE ONLY.	<input type="checkbox"/>
NOT REVIEWED	<input type="checkbox"/>
NO EXCEPTIONS TAKEN	<input type="checkbox"/>
NOTE MARKINGS	<input checked="" type="checkbox"/>
COMMENTS ATTACHED	<input type="checkbox"/>
REVISE & RESUBMIT	<input type="checkbox"/>
BY <i>RJC</i>	
DATE 03/12/2026	
SWENSON SAY FAGET STRUCTURAL ENGINEERING 2101 Third Avenue, Suite 100, Seattle, WA 98107 504 Broadway, Suite 100, Tacoma, WA 98402 414 Midwest Street, Suite 8, Everett, WA 98202 206.443.6212 www.ssfengineers.com	

Stairs and balconies handrails by others. Not reviewed

GIANT CONTAINERS INC.
125 UNWIN AVE
TORONTO, ON M5A 1A2
888.974.4268
WWW.GIANTCONTAINERS.COM

Giant

PROJECT
MERCER ISLAND HOUSE
MERCER ISLAND, WASHINGTON, USA

CLIENT
SAM ADAMS
3508 96TH AVE SE
MERCER ISLAND, WA
98040
USA

CONSULTANT
SSF STRUCTURAL ENGINEERING
2124 THIRD AVENUE, SUITE 100
SEATTLE, WA 98121
206.443.6212
WWW.SSFENGINEERS.COM

ISSUE/REVISION

A	2025-10-27	SHOP DRAWINGS 1ST ISSUE
NO.	DATE	DESCRIPTION

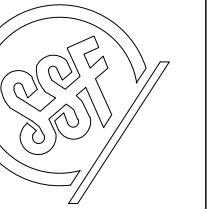
STAMP

SHEET TITLE
STAIR DETAILS

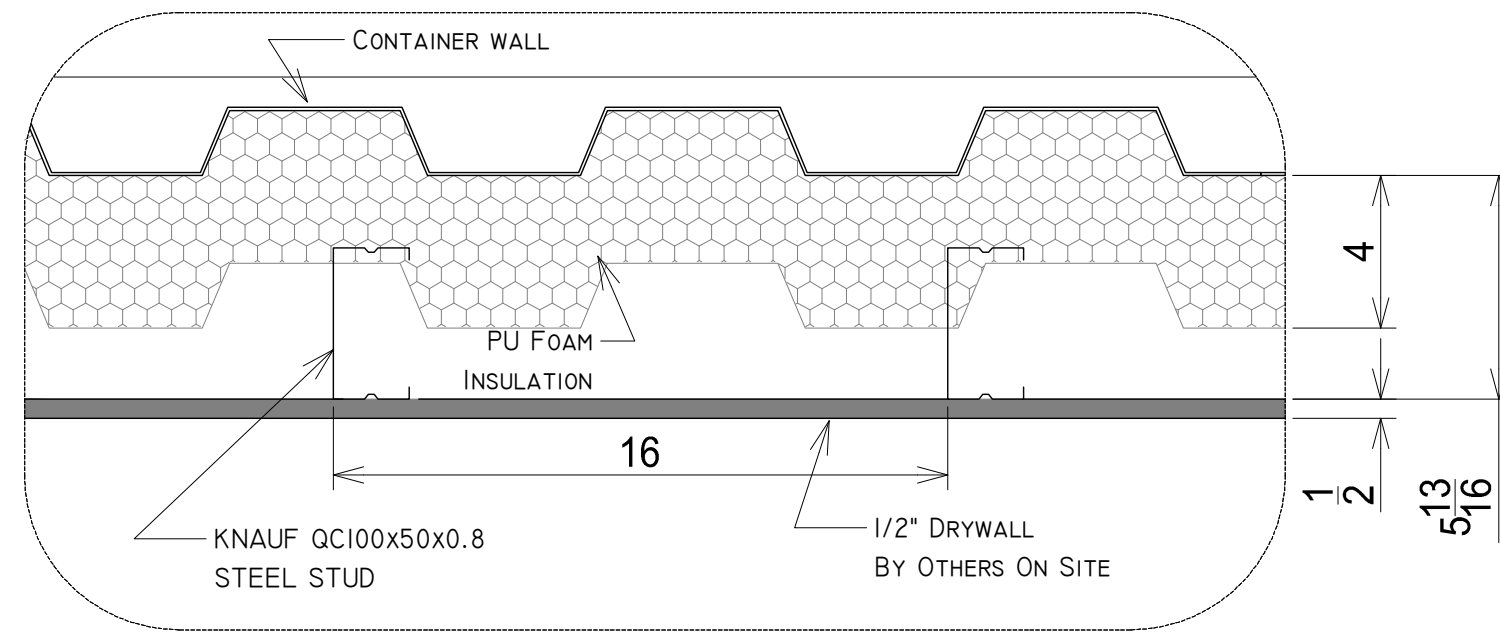
SCALE **1:30**

DRAWN BY **FF** SHEET **11**

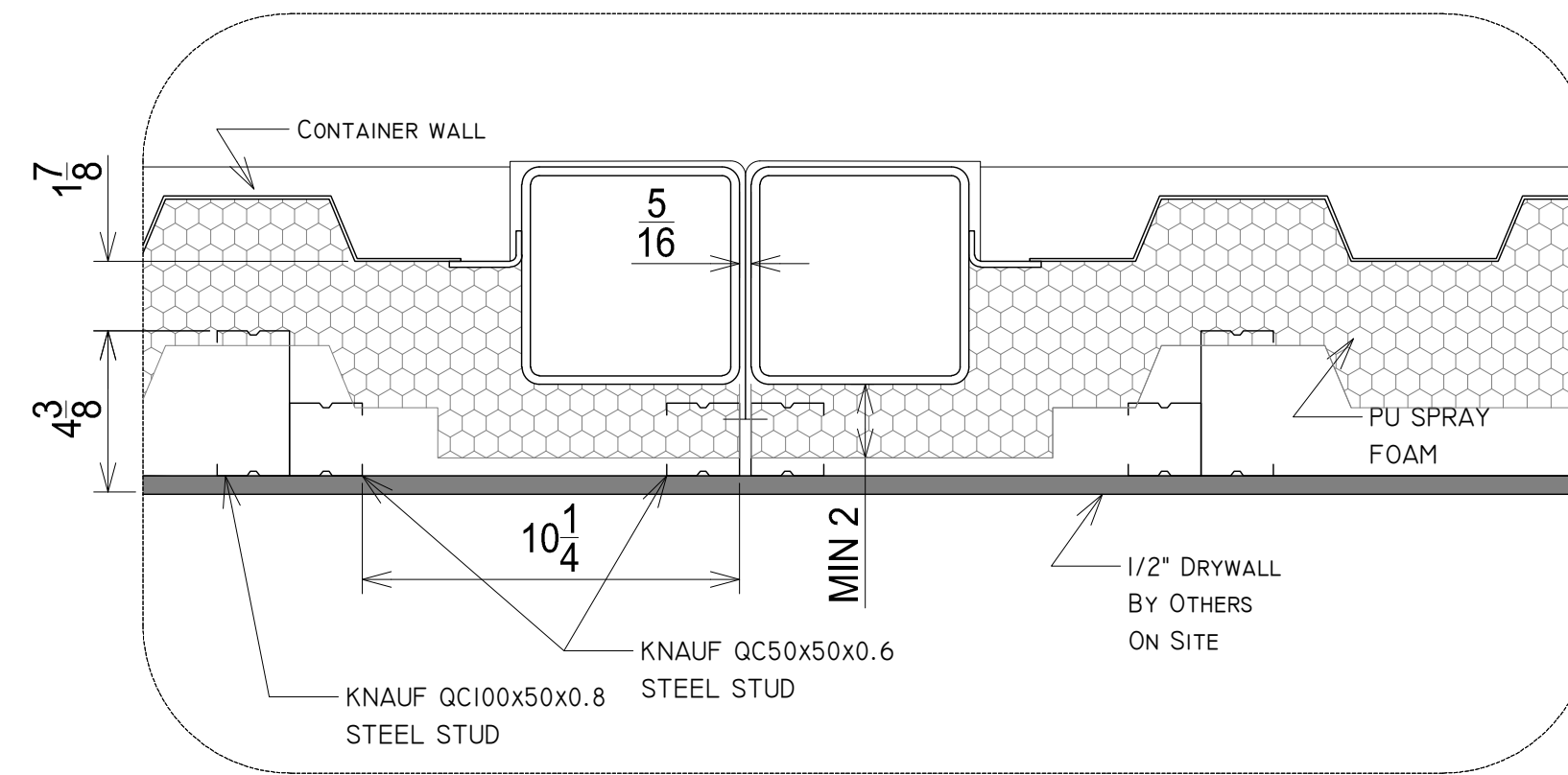
DISCLAIMER
THE IDEAS AND DESIGNS REPRESENTED HEREIN WERE PREPARED BY, OR AS WORK MADE FOR HIRE FOR, GIANT CONTAINERS, INC. GIANT CONTAINERS, INC. DOES HEREBY RESERVE ALL COMMON LAW, STATUTORY AND OTHER RIGHTS, INCLUDING COPYRIGHTS IN AND TO THE IDEAS AND DESIGNS SHOWN AND EXPRESSED HEREIN WHICH IDEAS AND DESIGNS MAY NOT BE USED OR REUSED BY ANY OTHER PERSON WITHOUT PRIOR WRITTEN CONSENT OF GIANT CONTAINERS, INC. SUBMITTAL OR DISTRIBUTION TO MEET OFFICIAL REGULATORY REQUIREMENTS OR FOR OTHER PURPOSES IN CONNECTION WITH THIS PROJECT IS NOT TO BE CONSTRUED AS PUBLICATION IN DEROGATION GIANT CONTAINERS INC.'S COPYRIGHTS OR OTHER RESERVED RIGHTS.



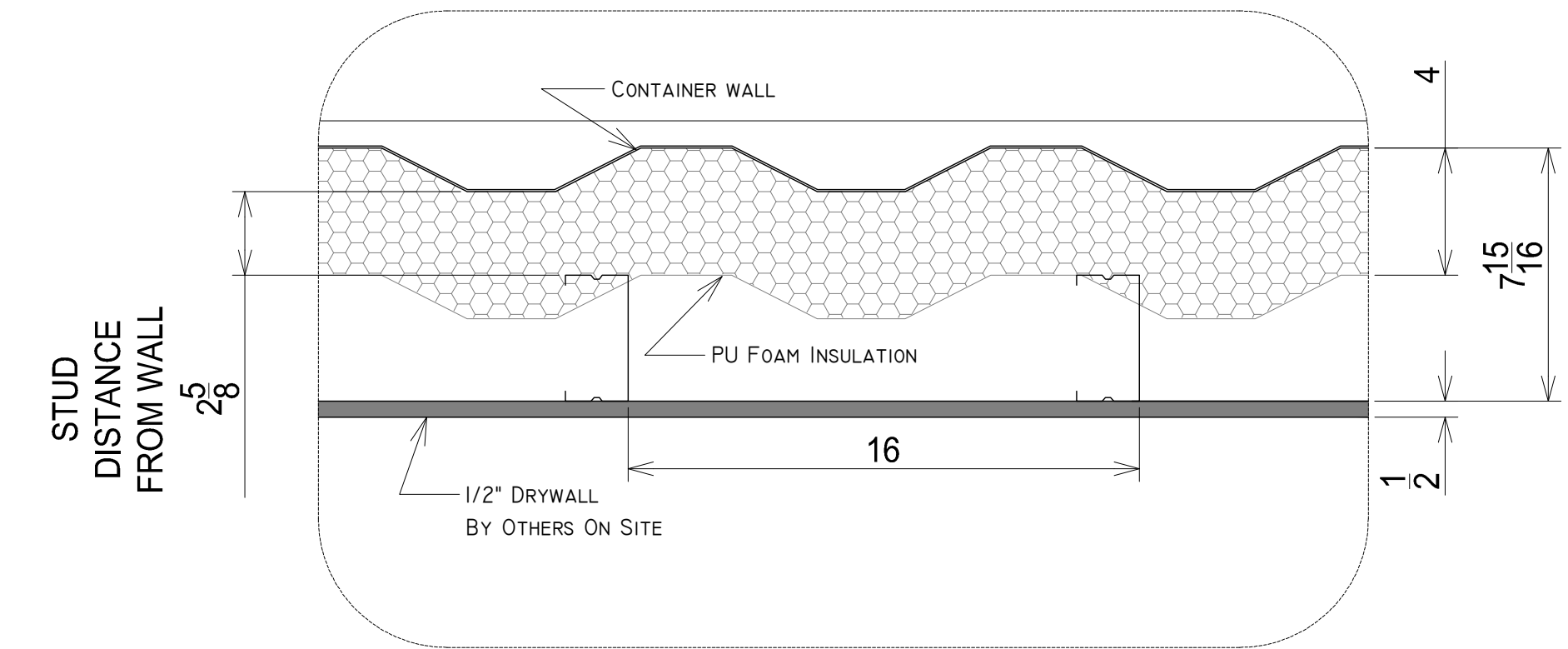
DET. 1 - FRONT WALL SECTION



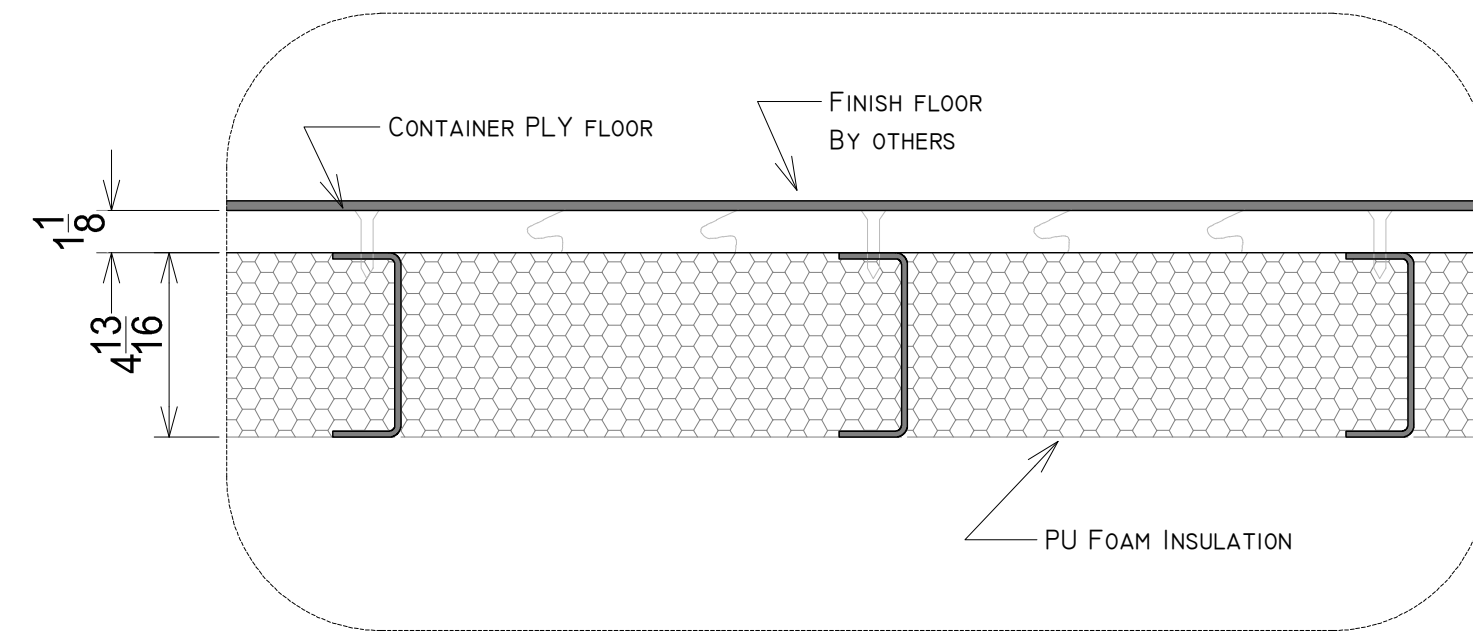
DET. 2 - FRONT WALL SECTION AT JOINT



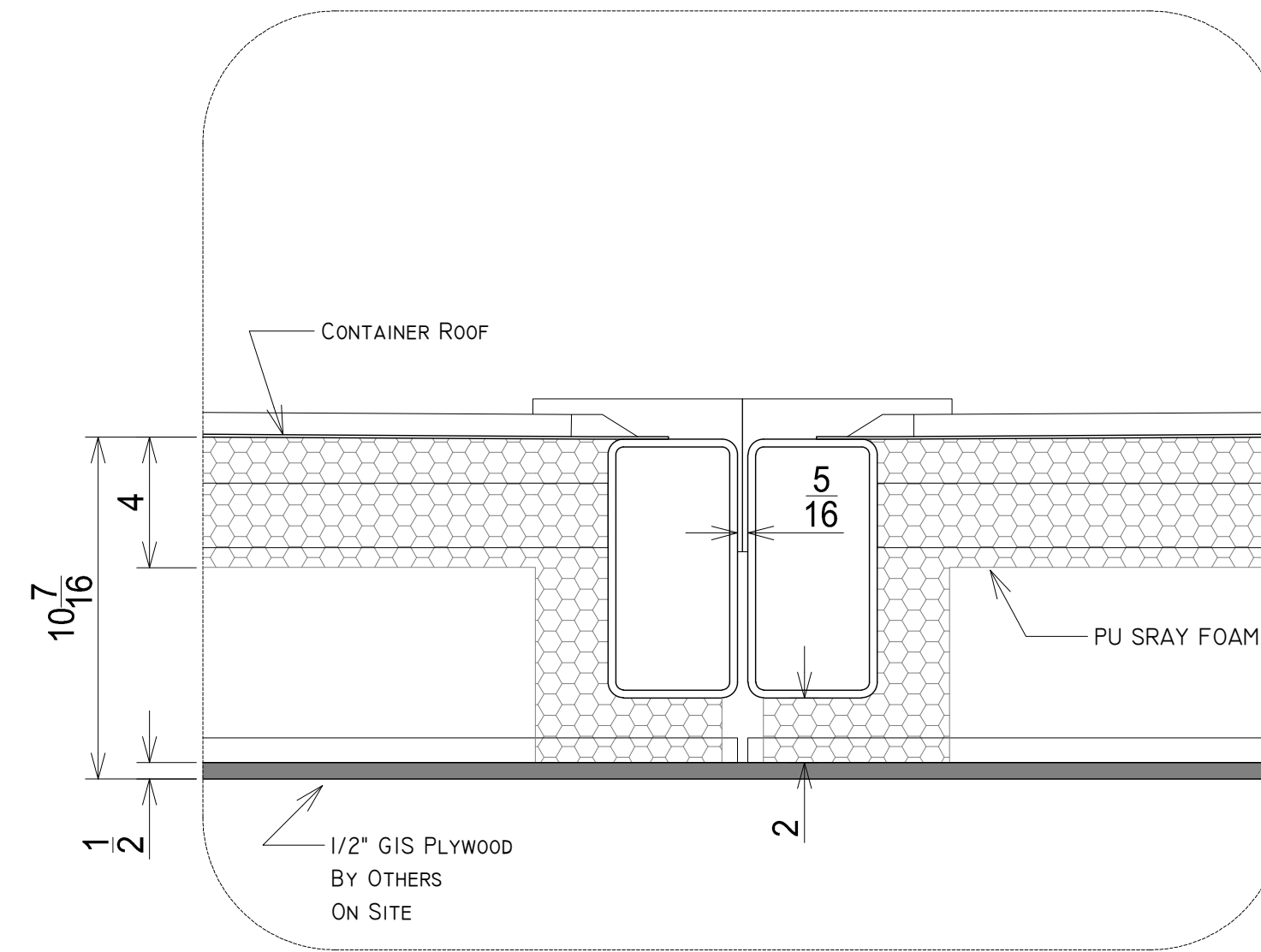
DET. 3 - SIDE WALL SECTION



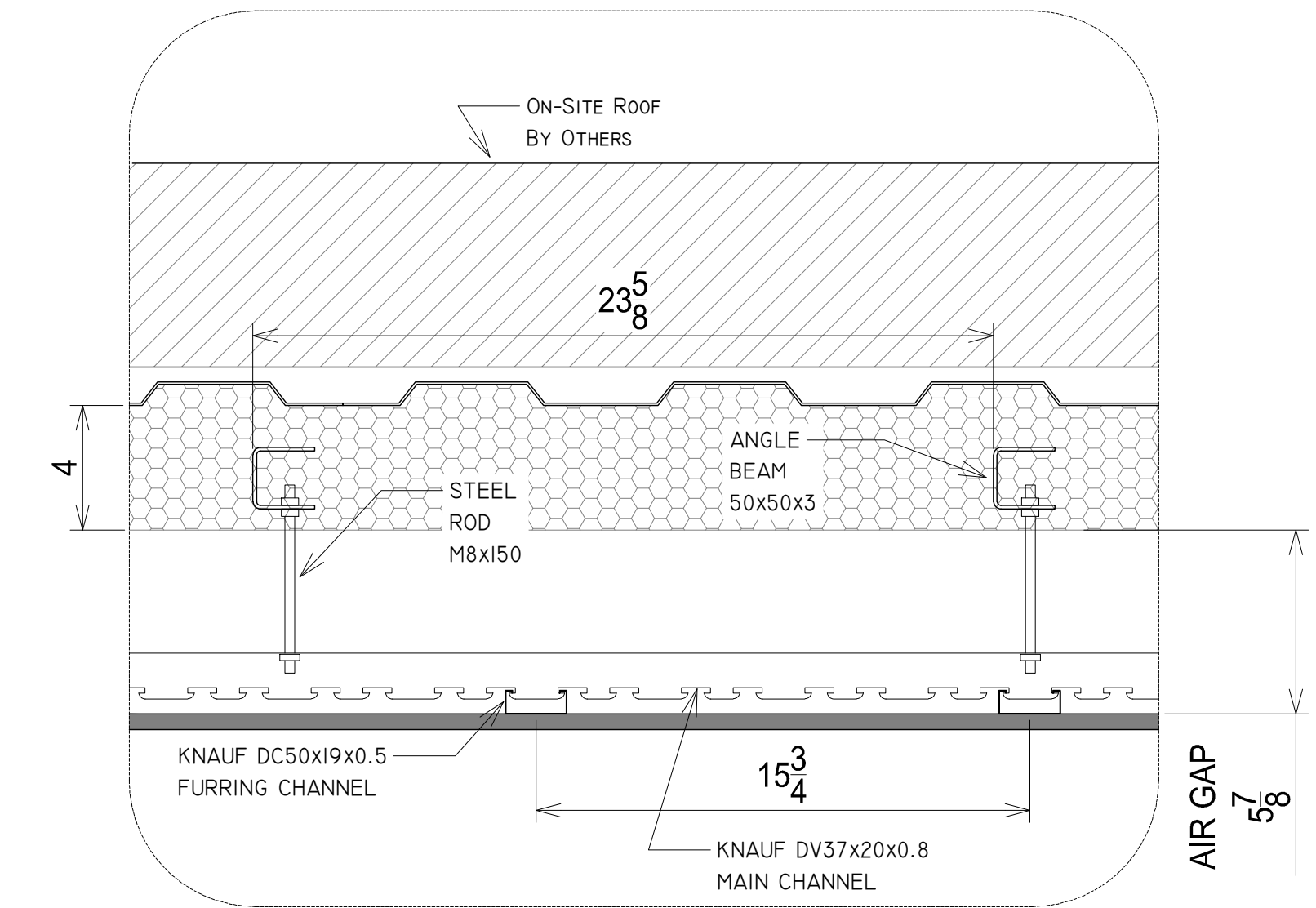
DET. 4 - FLOOR SECTION



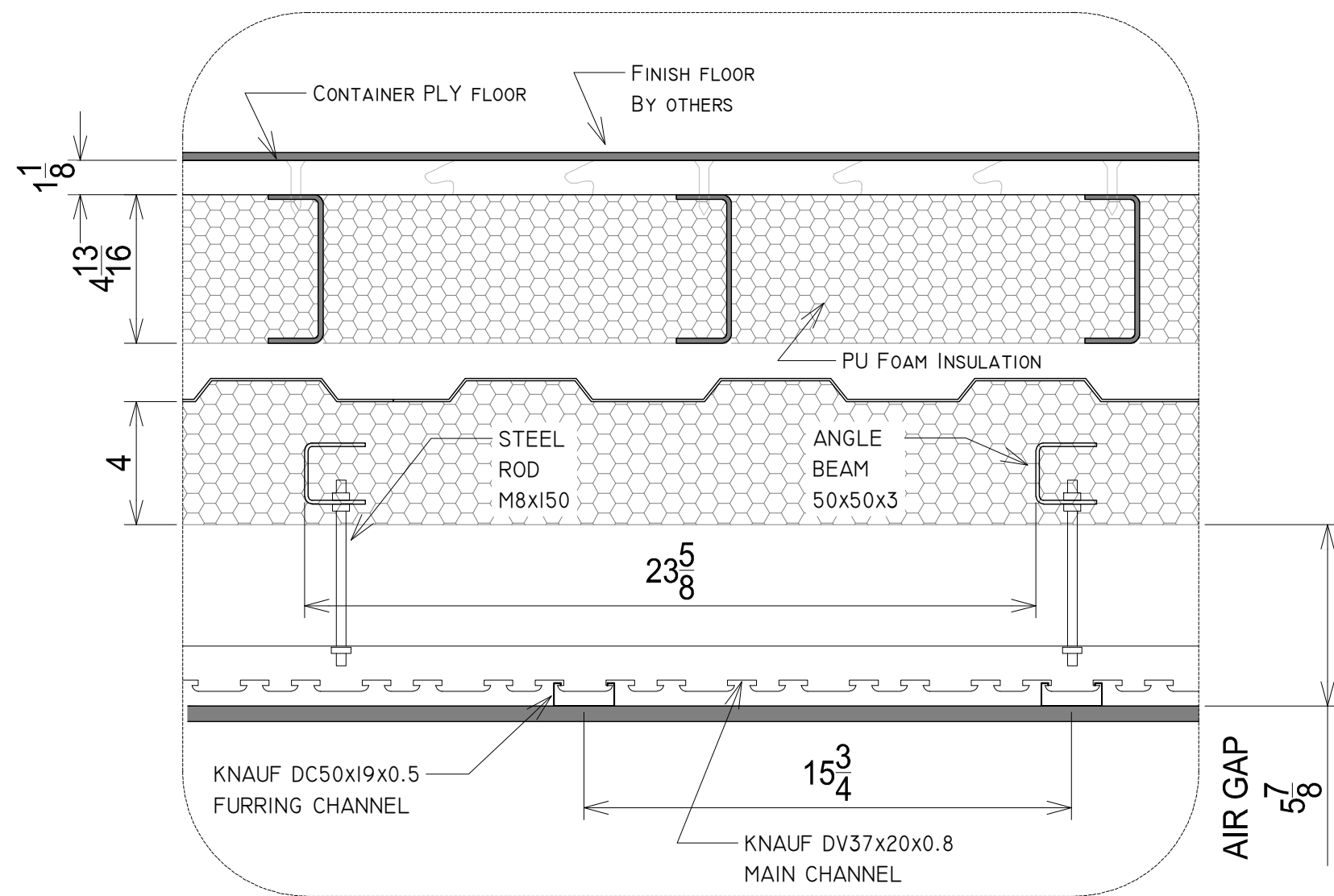
DET. 5 - ROOF SECTION AT JOINT



DET. 6 - ROOF SECTION



DET. 7 - ROOF SECTION AT DECKS



INSULATION LEGEND

ITEM	R-VALUE	INSULATION TYPE	THICKNESS (in)
CEILING	R-24	2LB CLOSED CELL PU-FOAM	4
EXT WALL	R-24	2LB CLOSED CELL PU-FOAM	4
FLOOR	R-28	2LB CLOSED CELL PU-FOAM	4 13/16
ROOF		TBD	ON-SITE, BY OTHERS

NOTE:
GIANT CONTAINER PROVIDES INSULATION AT CEILING, EXT WALL, AND FLOOR ONLY.

PAINT

EXTERIOR SURFACE	COLOR: RAL 9004 SIGNAL BLACK
	POLYURETHANE TOP COATING. FINISH: SEMI-GLOSS, 50% SHEEN
INTERIOR SURFACE	EPOXY ZINC RICH PRIMER COATING

REVIEWED AND NOTED FOR DESIGN INTENT ONLY. DIMENSIONS AND QUANTITIES ARE NOT GUARANTEED.

REVIEWED FOR LOADS IMPOSED ON BASIC STRUCTURE ONLY.

NOT REVIEWED

NO EXCEPTIONS TAKEN

NOTE MARKINGS

COMMENTS ATTACHED

REVISE & RESUBMIT

BY: *RSF*

DATE: 03/12/2026

SWENSON SAY FAGET
STRUCTURAL ENGINEERING
2124 Third Avenue, Suite 100, Seattle, WA 98121
206.443.6212
www.sseengineers.com

ISSUE/REVISION

NO.	DATE	DESCRIPTION
A	2025-10-27	SHOP DRAWINGS 1ST ISSUE

STAMP

SWENSON SAY FAGET
STRUCTURAL ENGINEERING
2124 Third Avenue, Suite 100, Seattle, WA 98121
206.443.6212
www.sseengineers.com

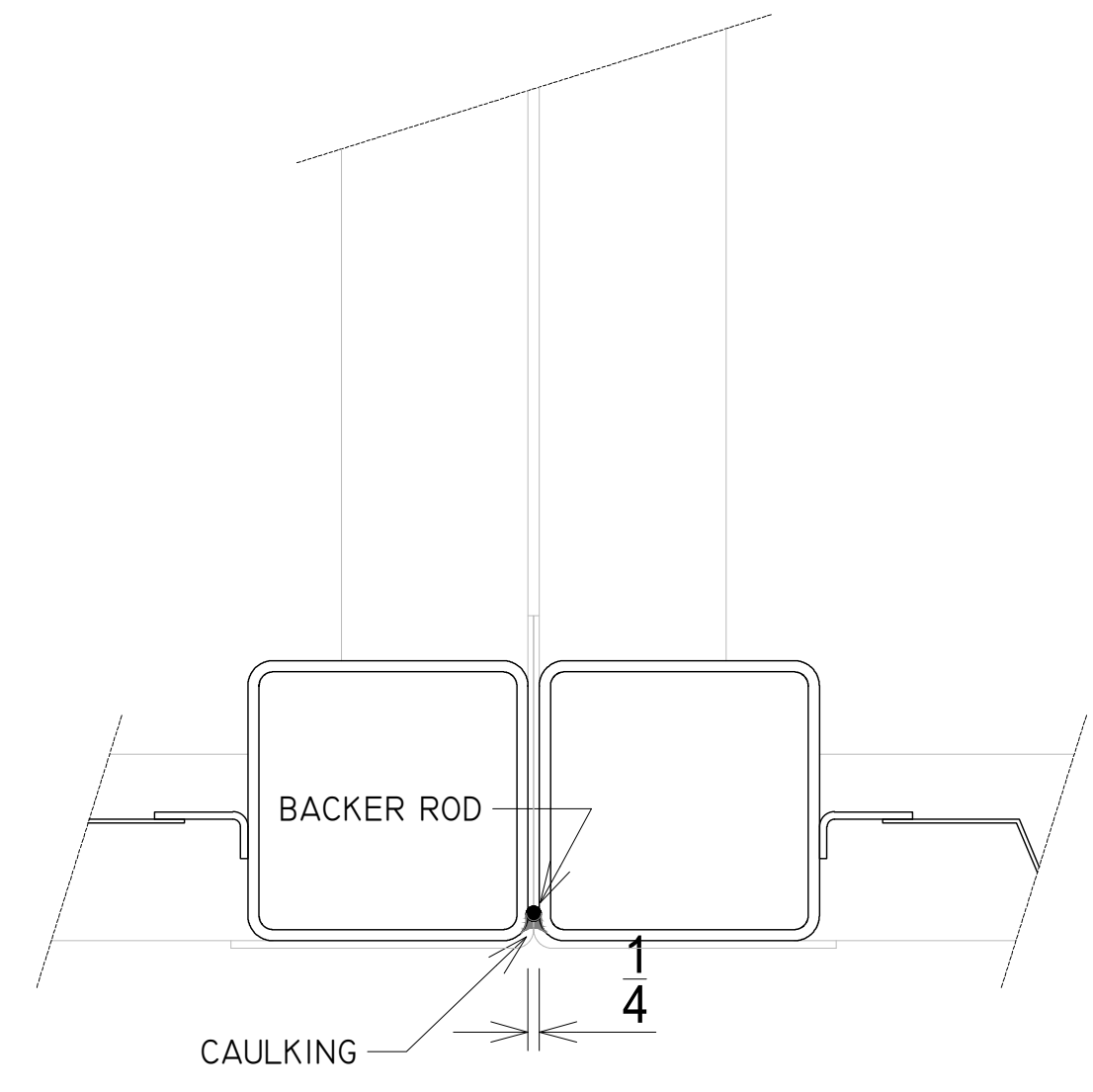
SHEET TITLE
FRAMING DETAILS

SCALE 1:5

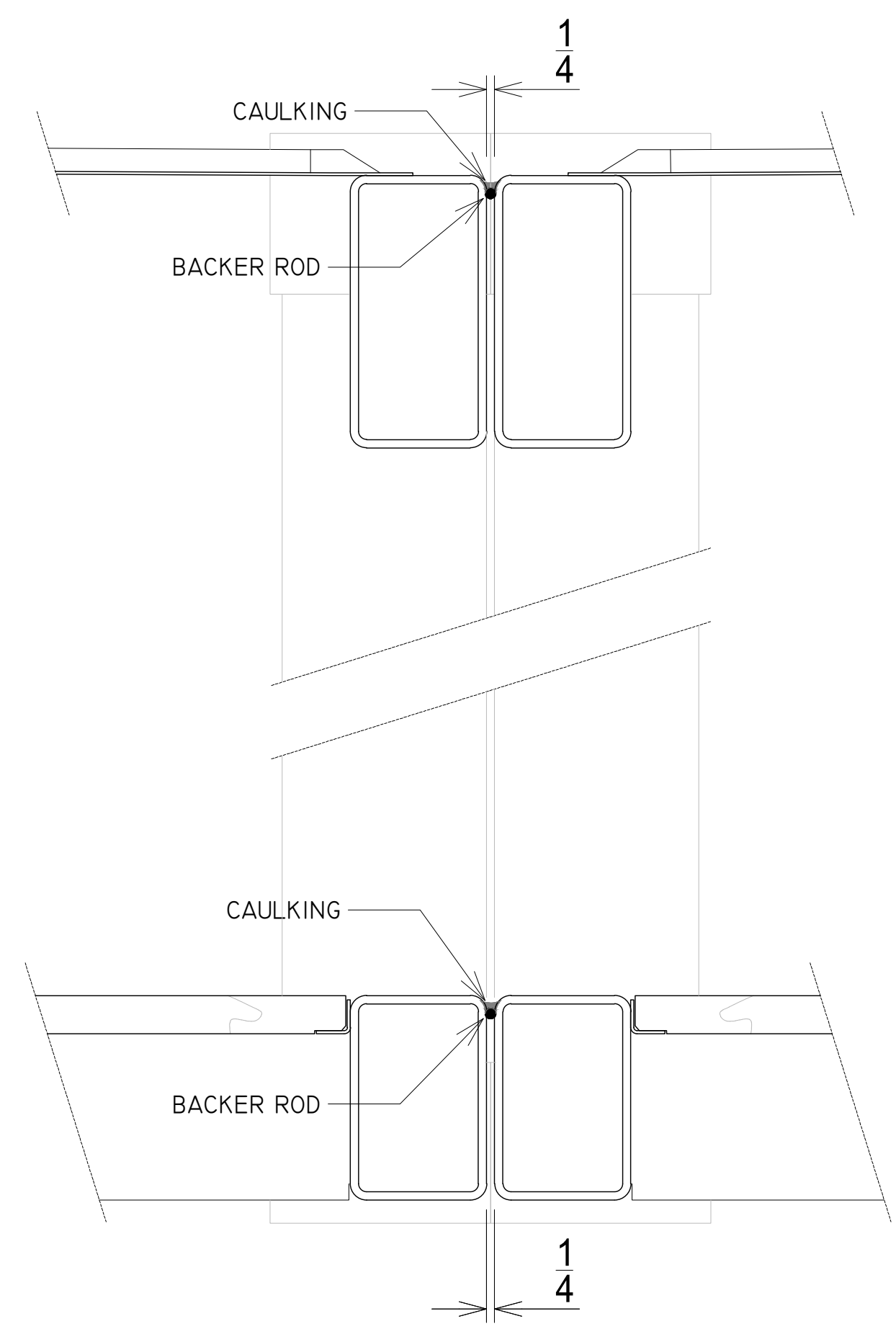
DRAWN BY FF SHEET 14

DISCLAIMER

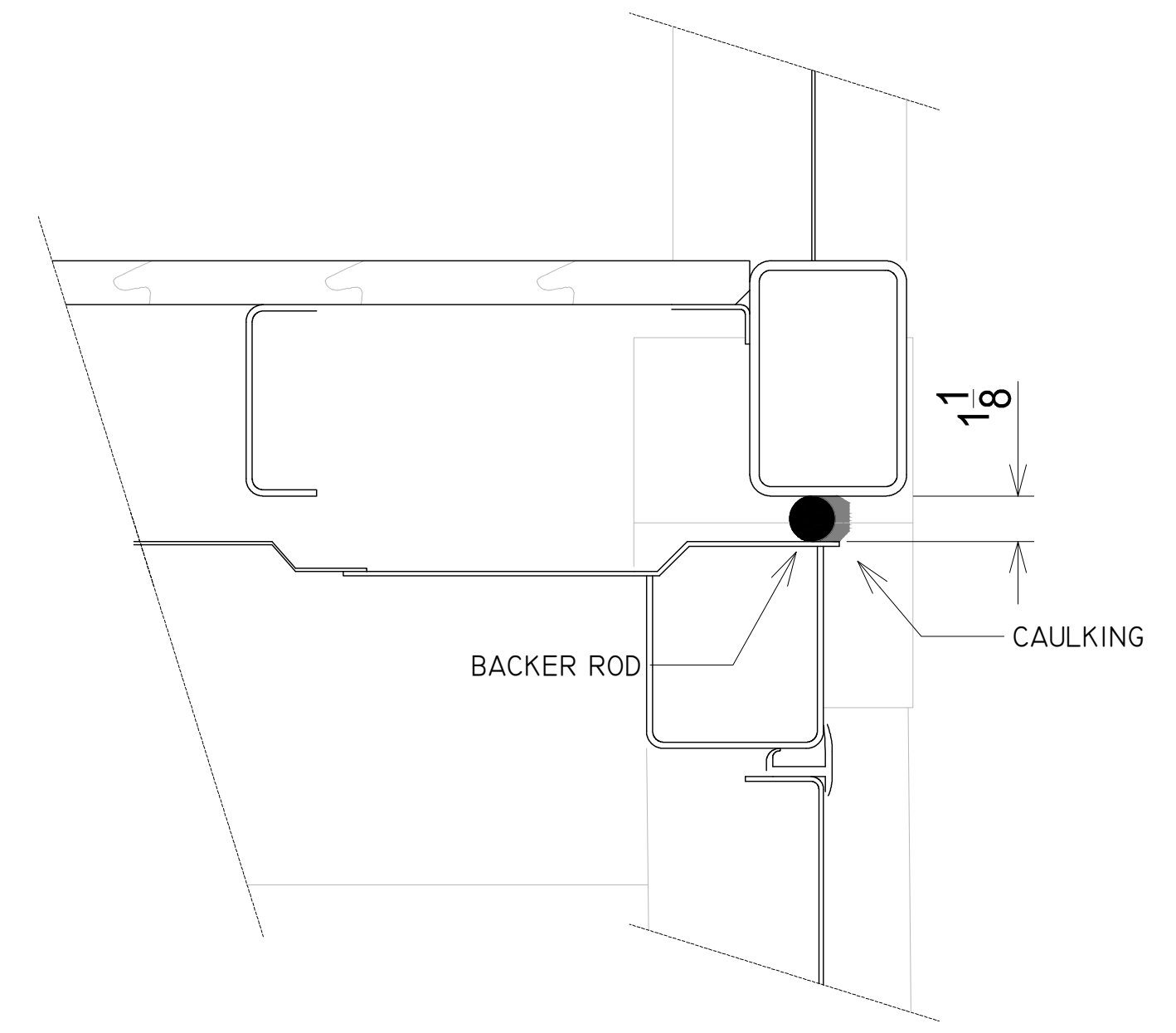
THE IDEAS AND DESIGNS REPRESENTED HEREIN WERE PREPARED BY, OR AS WORK MADE FOR HIRE FOR, GIANT CONTAINERS, INC. GIANT CONTAINERS, INC. DOES HEREBY RESERVE ALL COMMON LAW, STATUTORY AND OTHER RIGHTS, INCLUDING COPYRIGHTS IN AND TO THE IDEAS AND DESIGNS SHOWN AND EXPRESSED HEREIN WHICH IDEAS AND DESIGNS MAY NOT BE USED OR REUSED BY ANY OTHER PERSON WITHOUT PRIOR WRITTEN CONSENT OF GIANT CONTAINERS, INC. SUBMITTAL OR DISTRIBUTION TO MEET OFFICIAL REGULATORY REQUIREMENTS OR FOR OTHER PURPOSES IN CONNECTION WITH THIS PROJECT IS NOT TO BE CONSTRUED AS PUBLICATION IN DEROGATION GIANT CONTAINERS INC.'S COPYRIGHTS OR OTHER RESERVED RIGHTS.



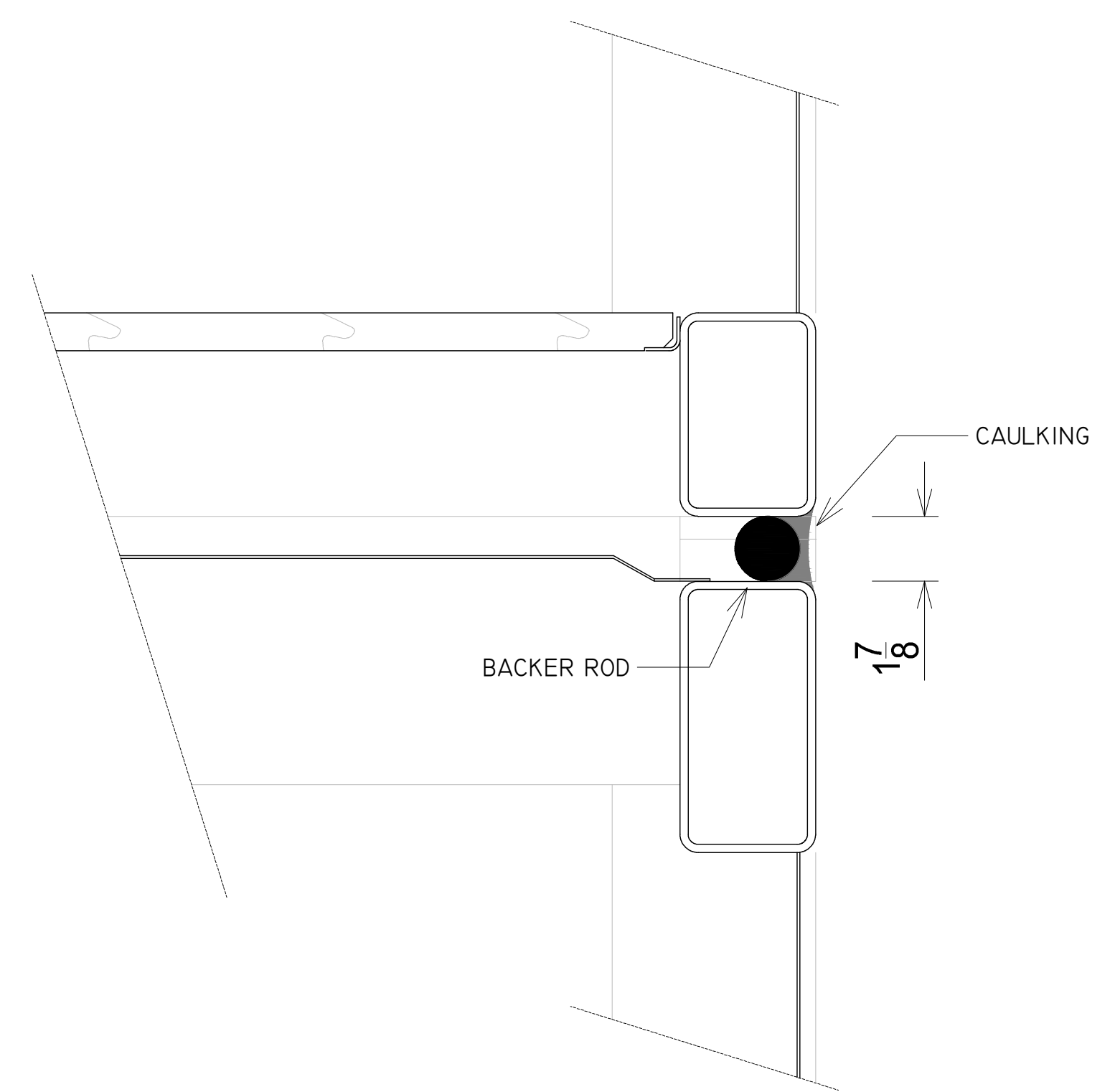
OPEN SIDE WATERPROOFING DETAIL
PLAN



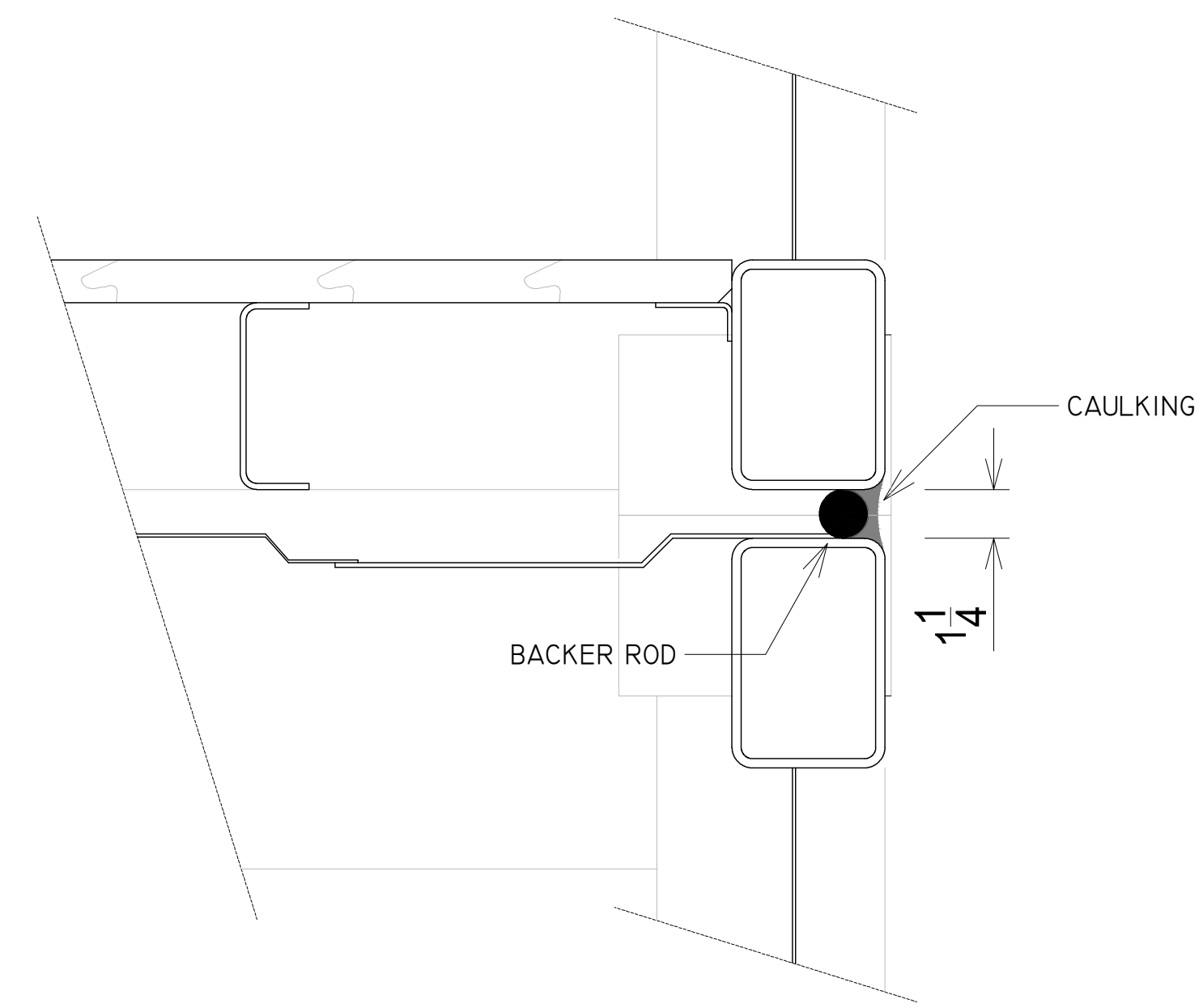
OPEN SIDE WATERPROOFING DETAIL
CROSS SECTION



CARGO DOOR WATERPROOFING DETAIL
LONG. SECTION



SIDE WATERPROOFING DETAIL
CROSS SECTION



REAR END WATERPROOFING DETAIL
LONG. SECTION

REVIEWED AND NOTED FOR DESIGN INTENT ONLY. DIMENSIONS AND QUANTITIES ARE NOT GUARANTEED.

REVIEWED FOR LOADS IMPOSED ON BASIC STRUCTURE ONLY

NOT REVIEWED

NO EXCEPTIONS TAKEN

NOTE MARKINGS

COMMENTS ATTACHED

REVISE & RESUBMIT

BY: *RSF*

DATE: 03/12/2026

SWENSON SAY FAGET
STRUCTURAL ENGINEERING
2124 Third Avenue, Suite 100, Seattle, WA 98121
2141 Greenwood, Suite 100, Tacoma, WA 98402
211 8th Street, Suite 6, Everett, WA 98201
206.443.6212 www.ssfengineers.com

NO.	DATE	DESCRIPTION
A	2025-10-27	SHOP DRAWINGS 1ST ISSUE

STAMP



REVIEWED AND NOTED FOR DESIGN INTENT ONLY. DIMENSIONS AND QUANTITIES ARE NOT GUARANTEED.

REVIEWED FOR LOADS IMPOSED ON BASIC STRUCTURE ONLY

NOT REVIEWED

NO EXCEPTIONS TAKEN

NOTE MARKINGS

COMMENTS ATTACHED

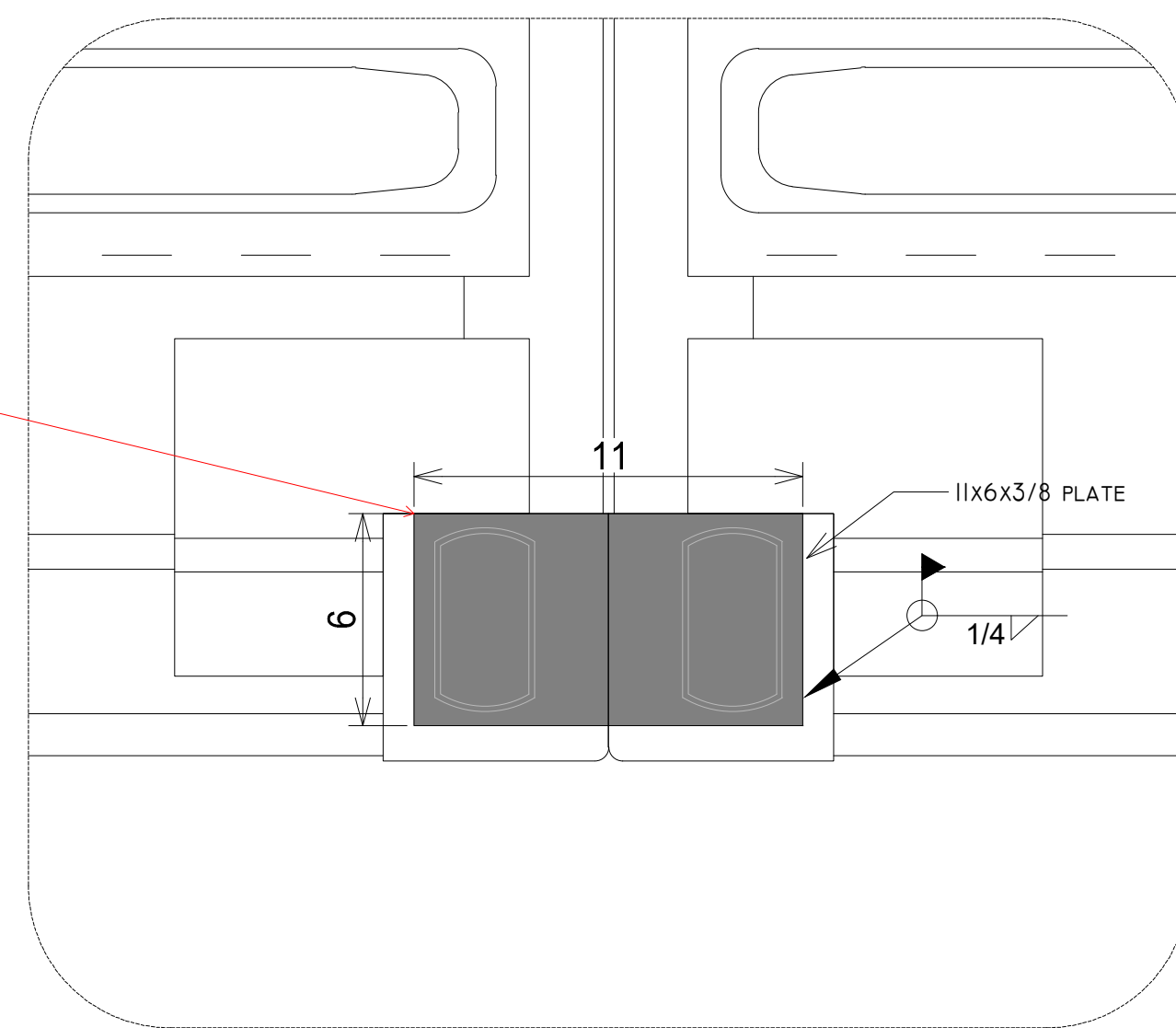
REVISE & RESUBMIT

BY: *R.H.C.*

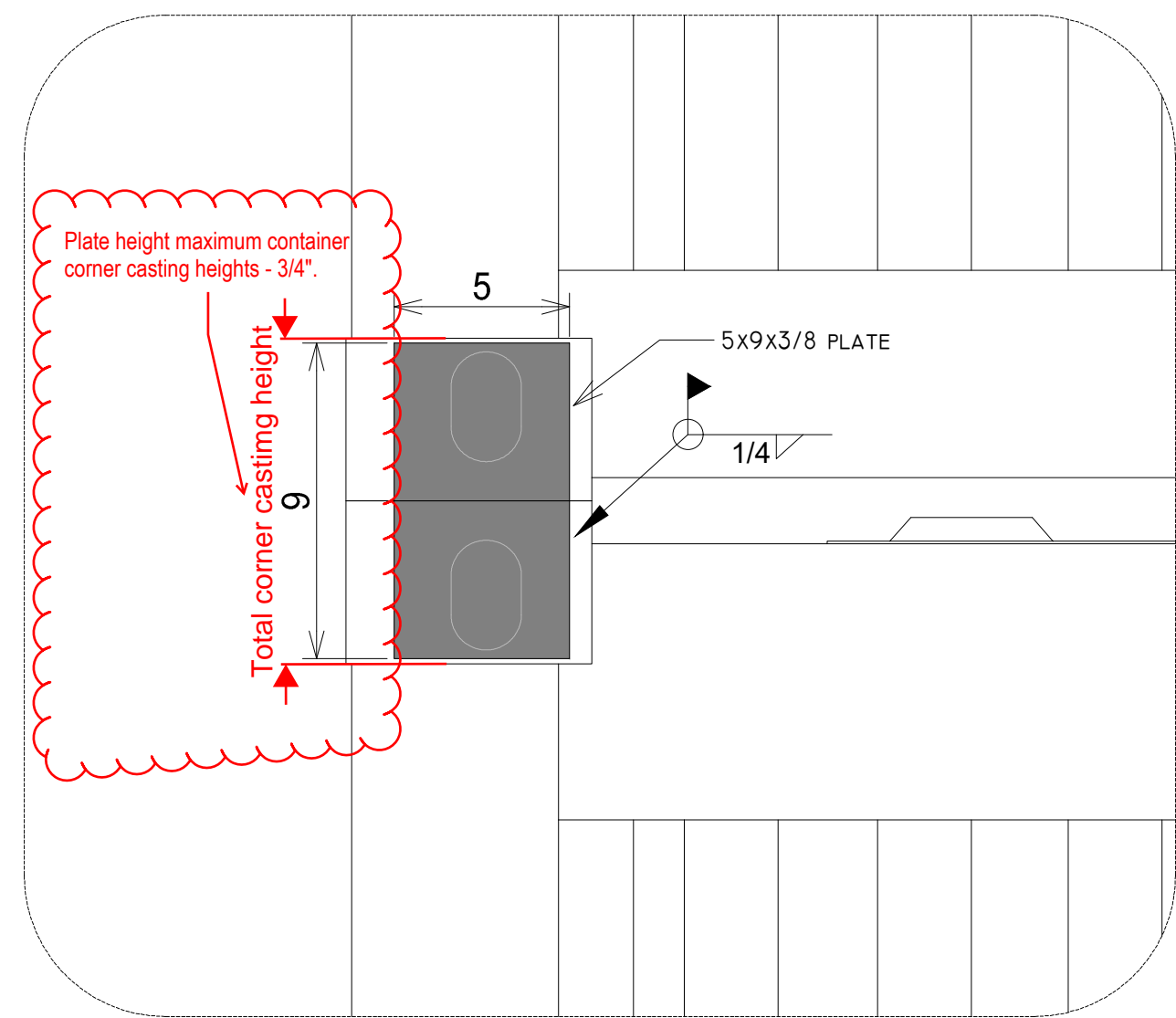
DATE: **03/12/2026**

SWENSON SAY FAGET
STRUCTURAL ENGINEERING
2224 THIRD AVENUE, SUITE 100, SEATTLE, WA 98121
411 3RD AVE, SUITE 8, BELLINGHAM, WA 98220
206.443.6212 www.ssfengineers.com

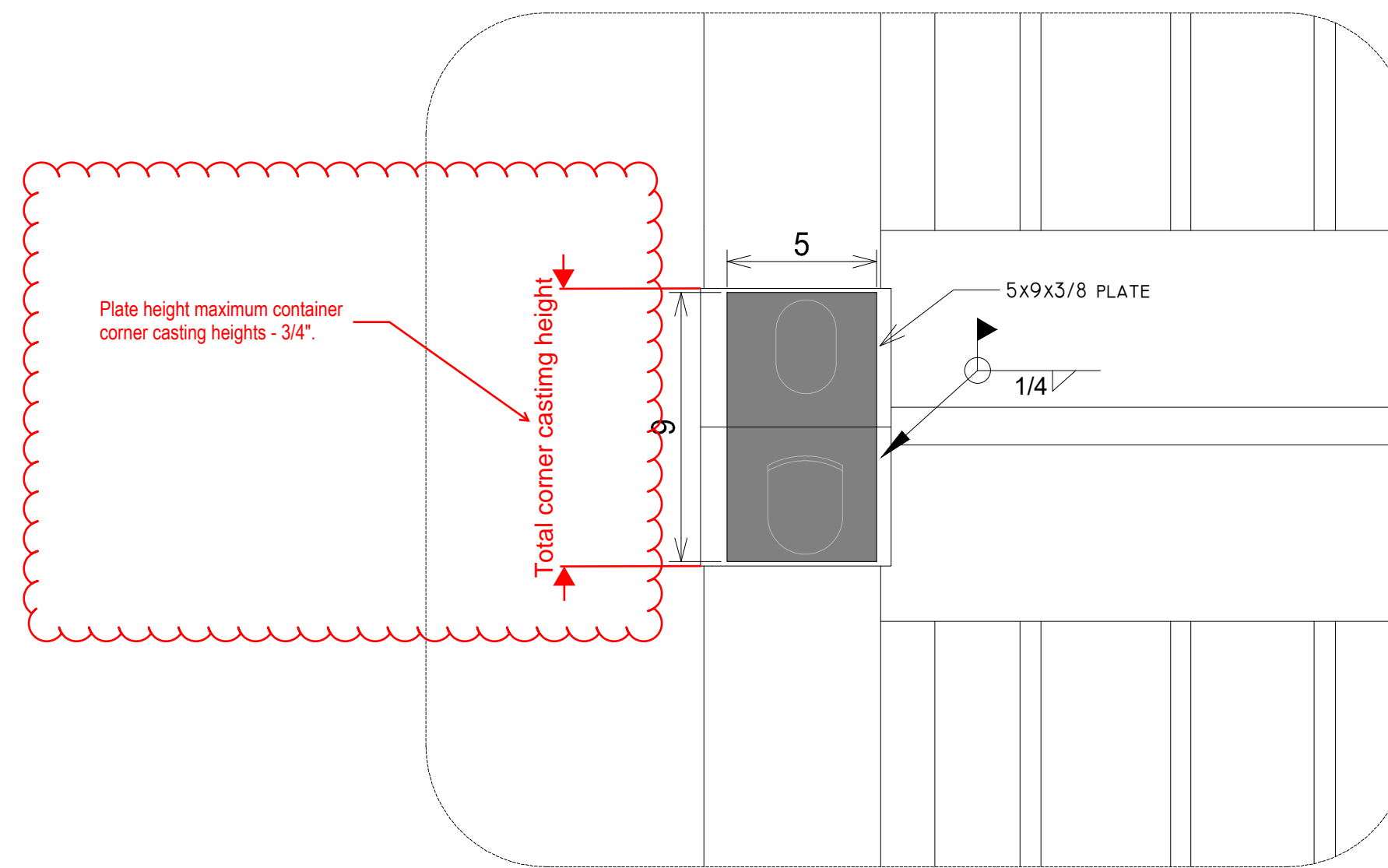
Locate plate to provide minimum 3/8" for 1/4" fillet welds



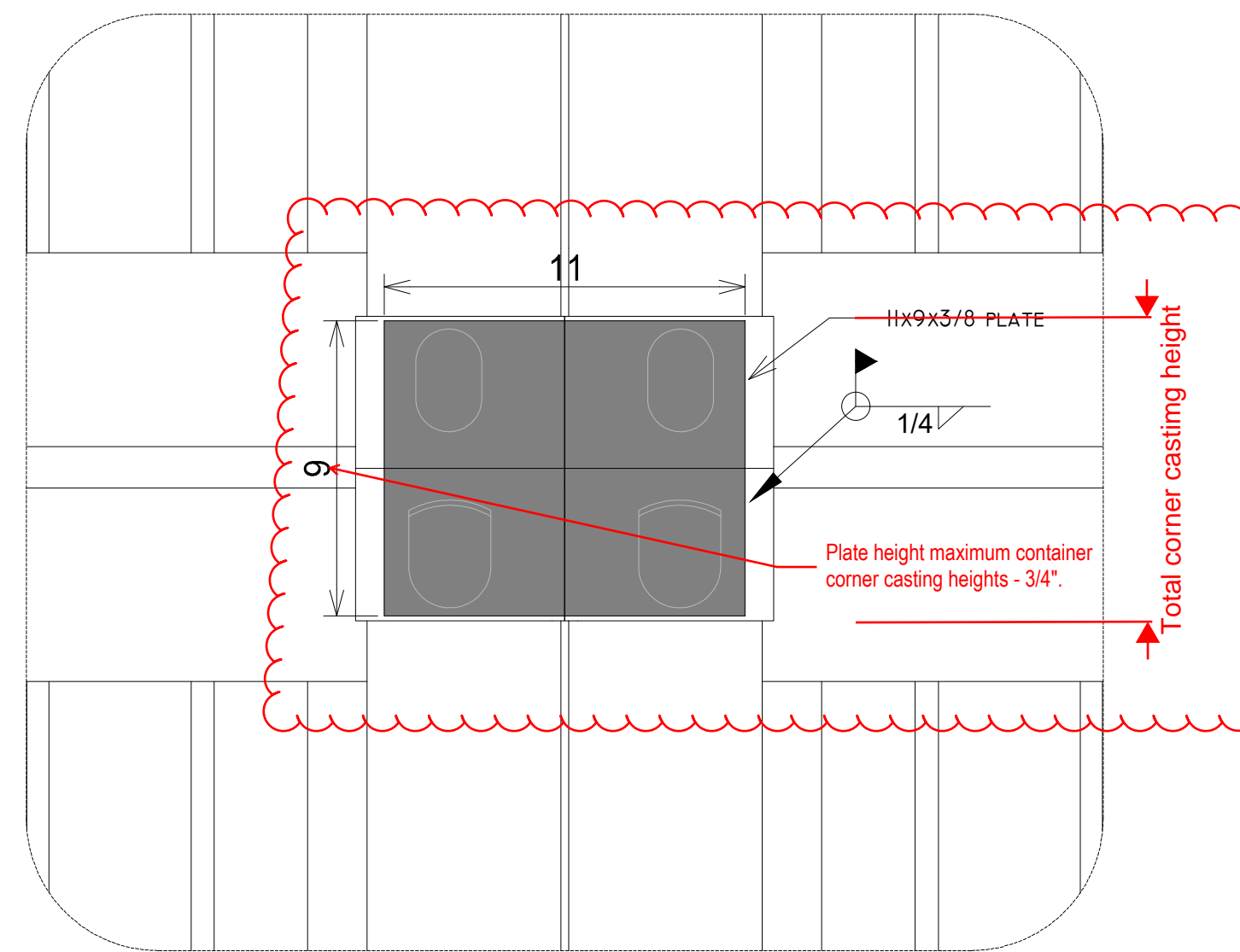
CONNECTION DETAIL
TOP VIEW
UPPER CORNER



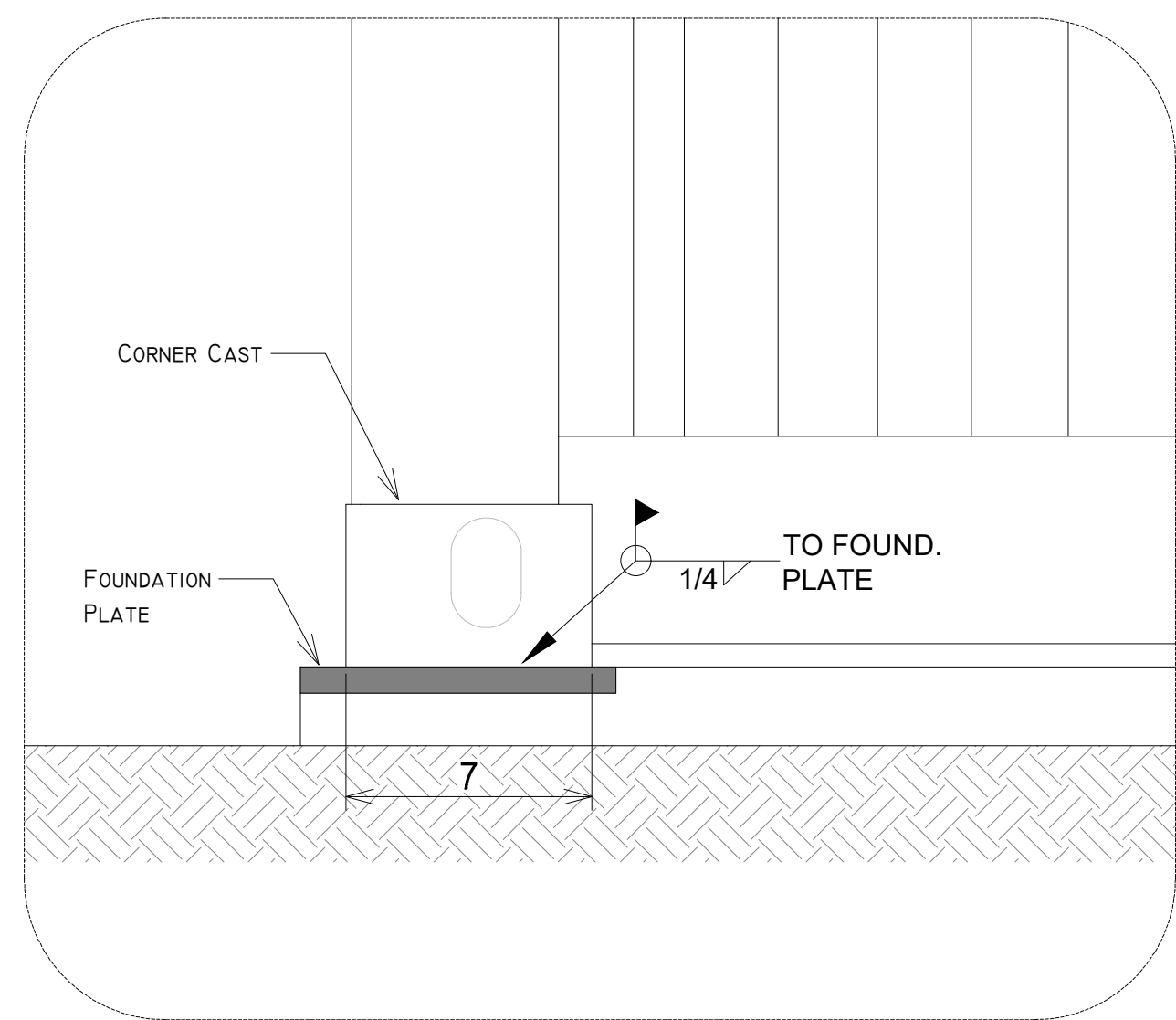
CONNECTION DETAIL
SIDE VIEW
MIDDLE CORNER



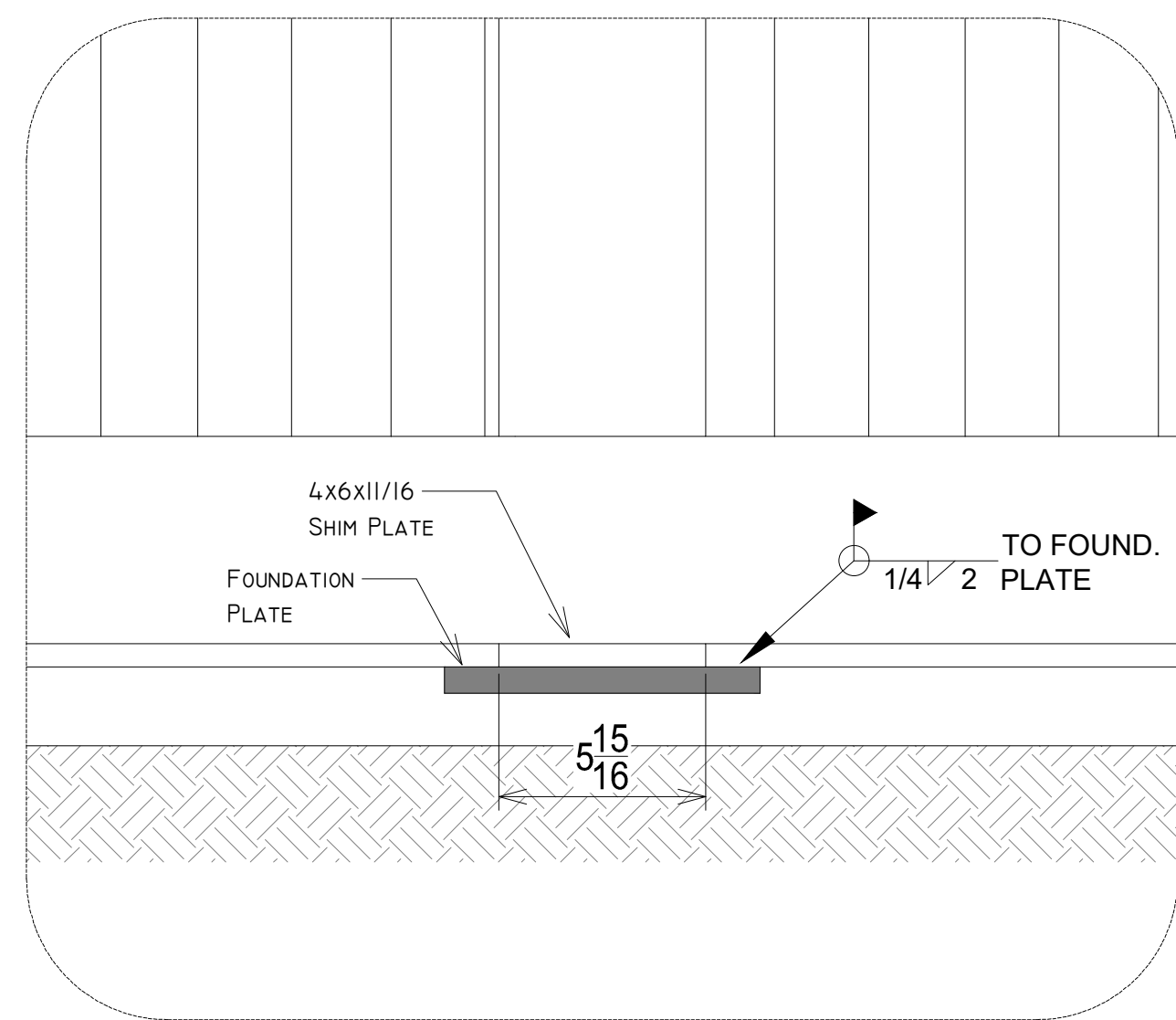
CONNECTION DETAIL
FRONT VIEW
MIDDLE CORNER



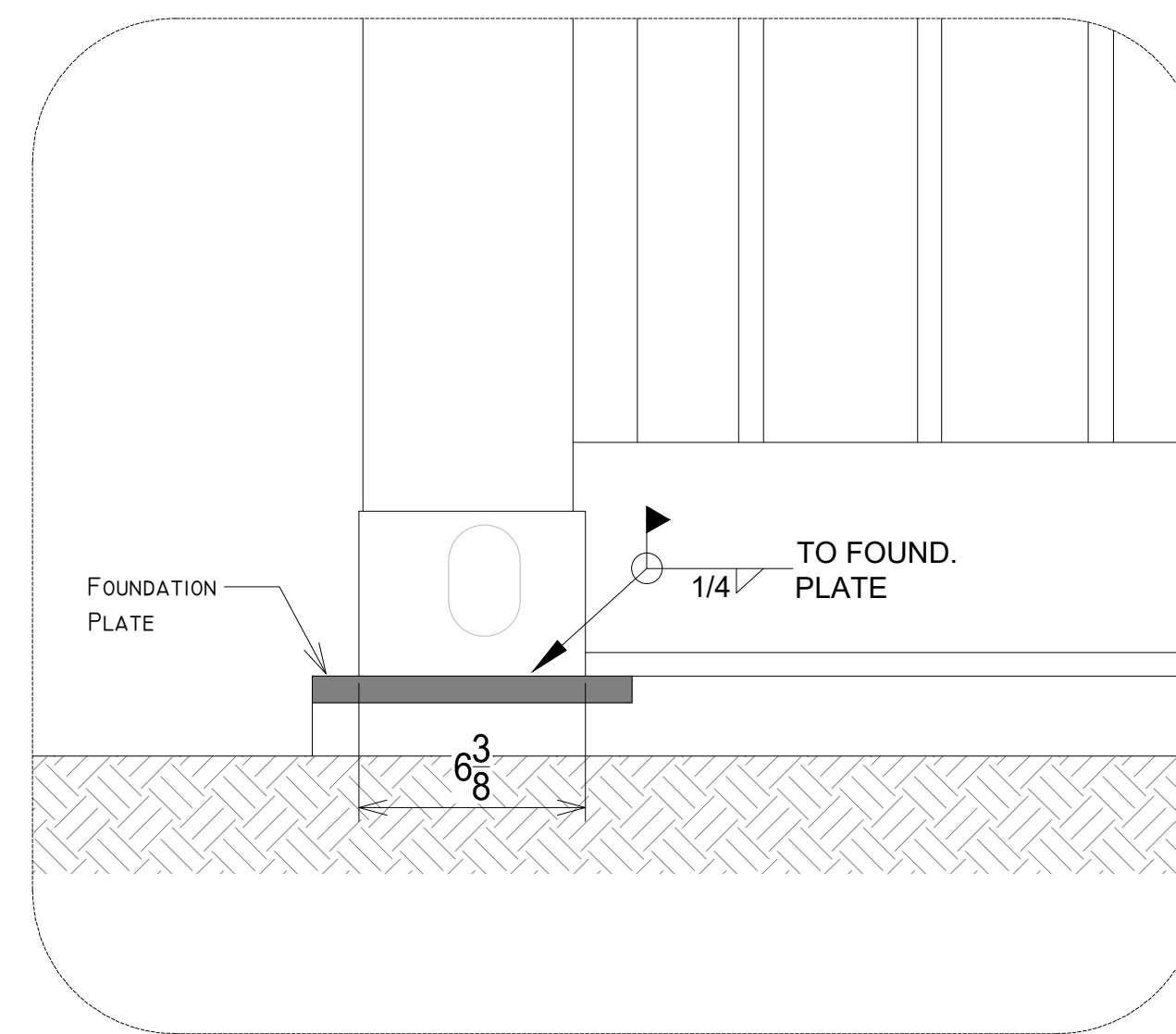
CONNECTION DETAIL
FRONT VIEW
MIDDLE CORNER



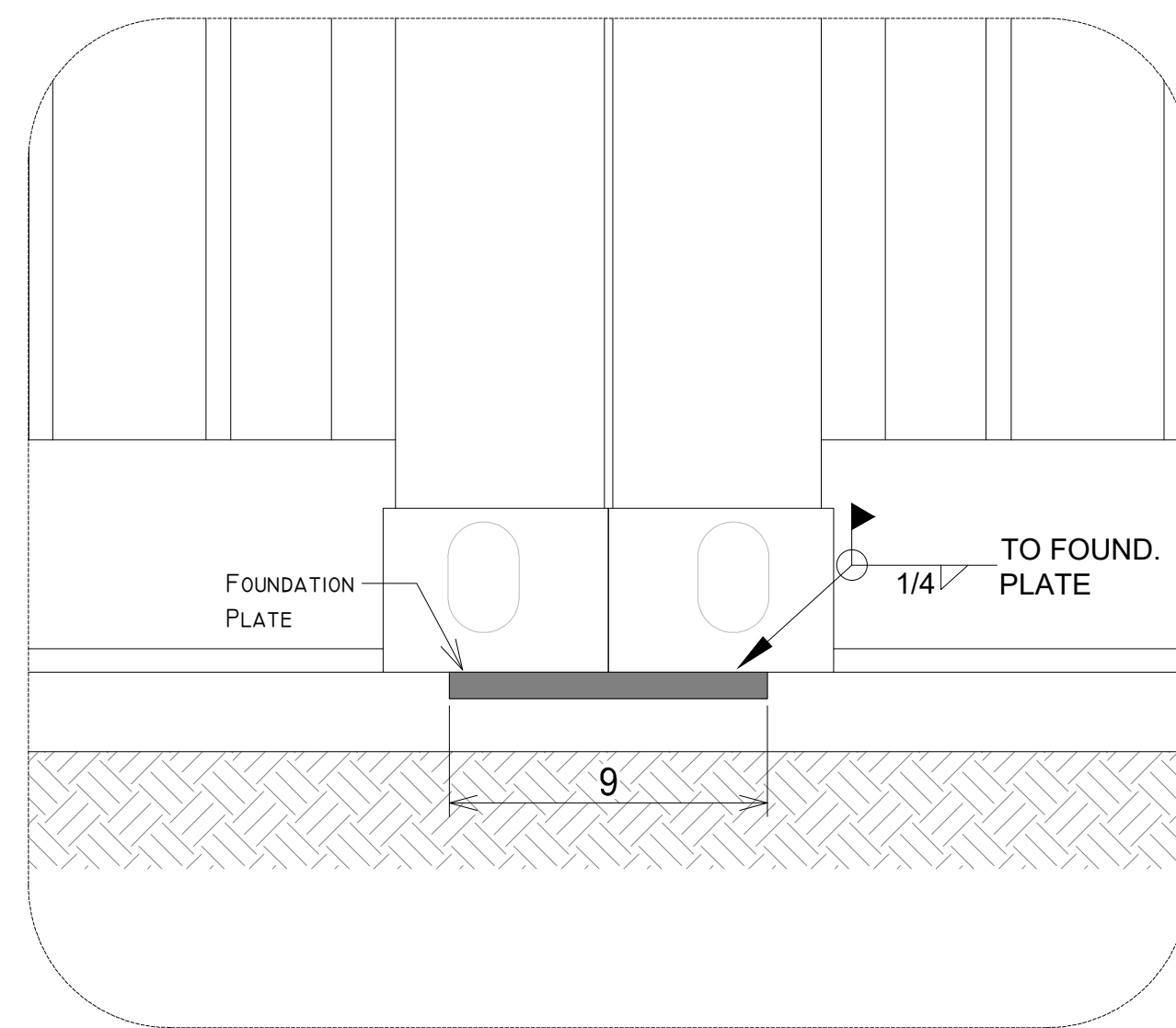
CONNECTION DETAIL
SIDE VIEW
BOTTOM CORNER



CONNECTION DETAIL
SIDE VIEW
BOTTOM SHIM



CONNECTION DETAIL
FRONT VIEW
BOTTOM CORNER



CONNECTION DETAIL
FRONT VIEW
BOTTOM CORNER

NO.	DATE	DESCRIPTION
A	2025-10-27	SHOP DRAWINGS 1ST ISSUE

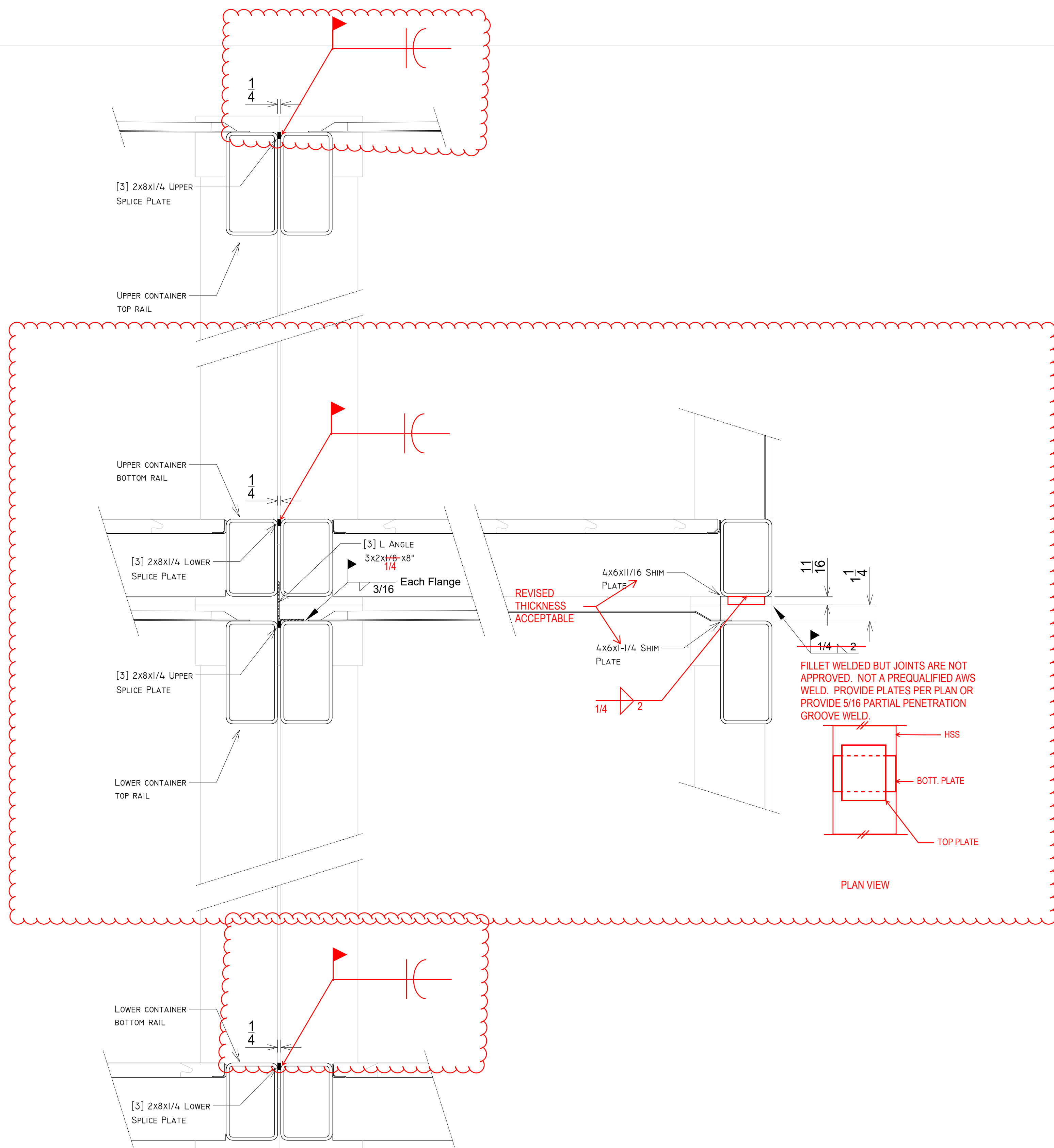
STAMP

SHEET TITLE
CONNECTION DETAILS

SCALE **1:5**

DRAWN BY **FF** SHEET **16**

DISCLAIMER
THE IDEAS AND DESIGNS REPRESENTED HEREIN WERE PREPARED BY, OR AS WORK MADE FOR HIRE FOR, GIANT CONTAINERS, INC. GIANT CONTAINERS, INC. DOES HEREBY RESERVE ALL COMMON LAW, STATUTORY AND OTHER RIGHTS, INCLUDING COPYRIGHTS IN AND TO THE IDEAS AND DESIGNS SHOWN AND EXPRESSED HEREIN WHICH IDEAS AND DESIGNS MAY NOT BE USED OR REUSED BY ANY OTHER PERSON WITHOUT PRIOR WRITTEN CONSENT OF GIANT CONTAINERS, INC. SUBMITTAL OR DISTRIBUTION TO MEET OFFICIAL REGULATORY REQUIREMENTS OR FOR OTHER PURPOSES IN CONNECTION WITH THIS PROJECT IS NOT TO BE CONSTRUED AS PUBLICATION IN DEROGATION GIANT CONTAINERS INC.'S COPYRIGHTS OR OTHER RESERVED RIGHTS.



CONNECTION DETAIL
OPEN-SIDE CROSS SECTION

- CONSTRUCTION SEQUENCE:
1. SET LOWER CONTAINERS AND WELD LOWER SPLICE PLATE.
 2. SET FIRS UPPER CONTAINER AND WELD ANGLE.
 3. SET UPPER CONTAINER AND WELD UPPER SPLICE PLATE.

NOTES:
 PROVIDE CONTAINER-TO-CONTAINER SPLICES IN THREE PLACES EACH CONTAINER LINE.
 LOCATE SPLICES 1' EITHER SIDE OF FROM QUARTER POINTS.
 OFFSET SPLICES TO CLOSEST AVAILABLE SPACE AT WALLS.

REVIEWED AND NOTED FOR DESIGN INTENT ONLY. DIMENSIONS AND QUANTITIES ARE NOT GUARANTEED.

REVIEWED FOR LOADS IMPOSED ON BASIC STRUCTURE ONLY.

NOT REVIEWED

NO EXCEPTIONS TAKEN

NOTE MARKINGS

COMMENTS ATTACHED

REVISE & RESUBMIT

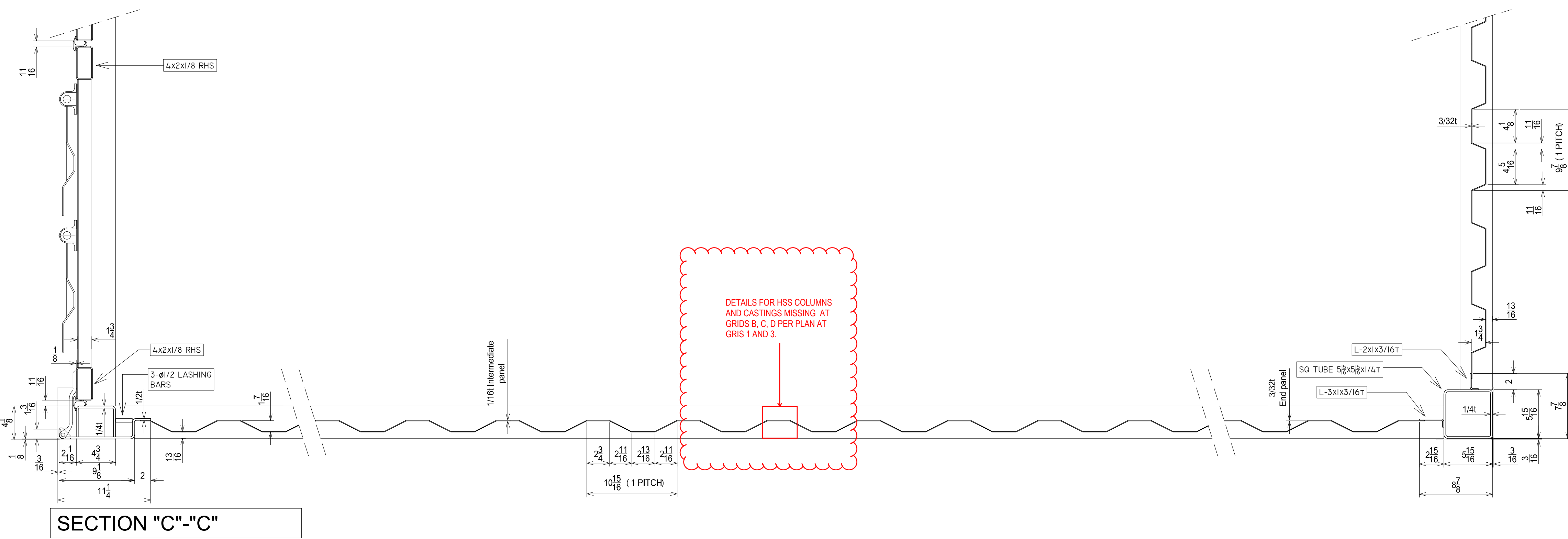
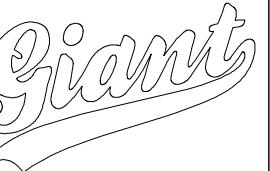
BY: *RMC*

DATE: 03/12/2026

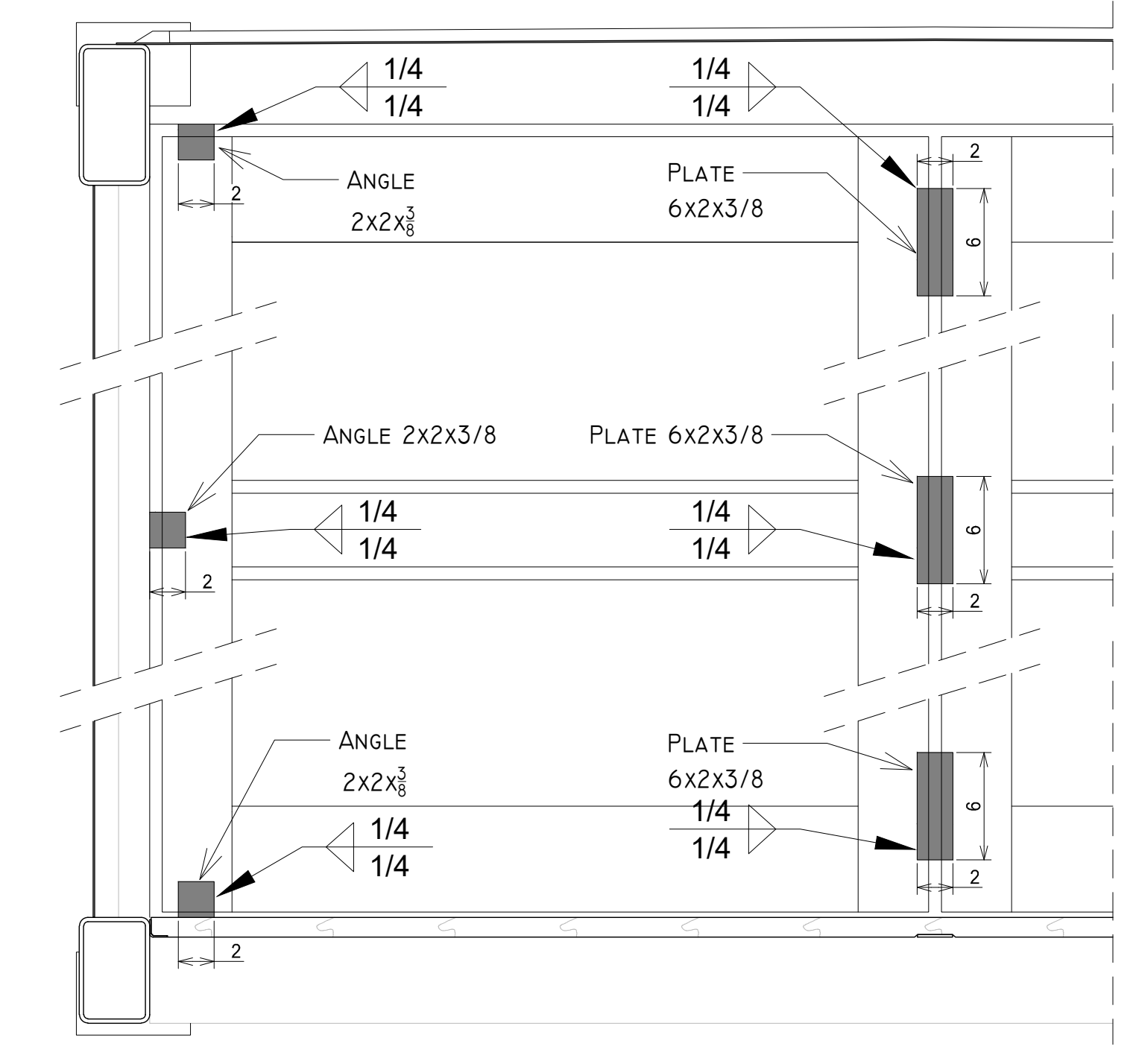
SWENSON SAY FAGET
 STRUCTURAL ENGINEERING
 2124 Third Avenue, Suite 100, Seattle, WA, 98101
 206.443.6212
 411 1/2 Alford Street, Suite 8, Ellensburg, WA, 98926
 206.443.6212 www.swenonsayfaget.com

NO.	DATE	DESCRIPTION
A	2025-10-27	SHOP DRAWINGS 1ST ISSUE

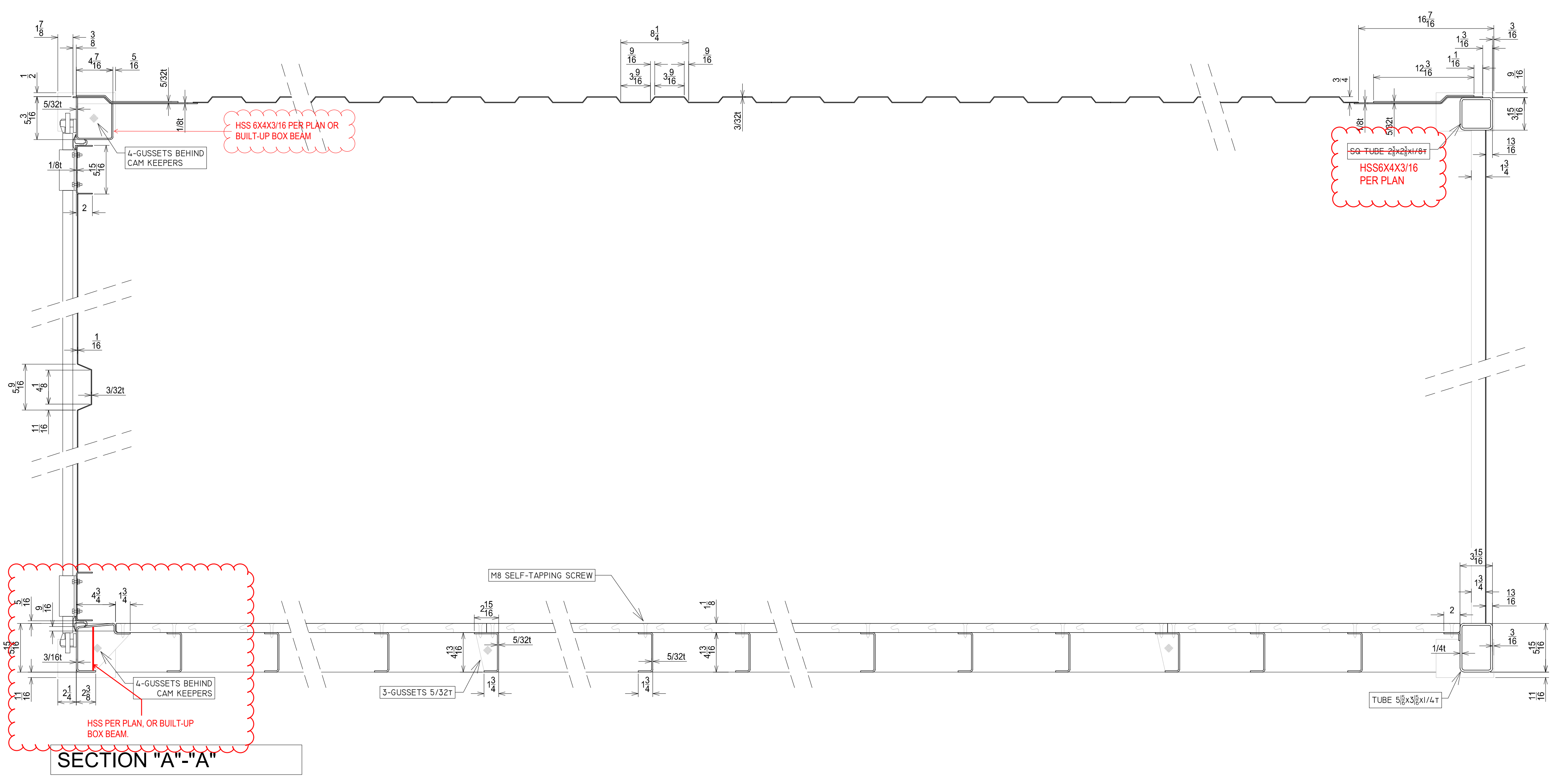
STAMP



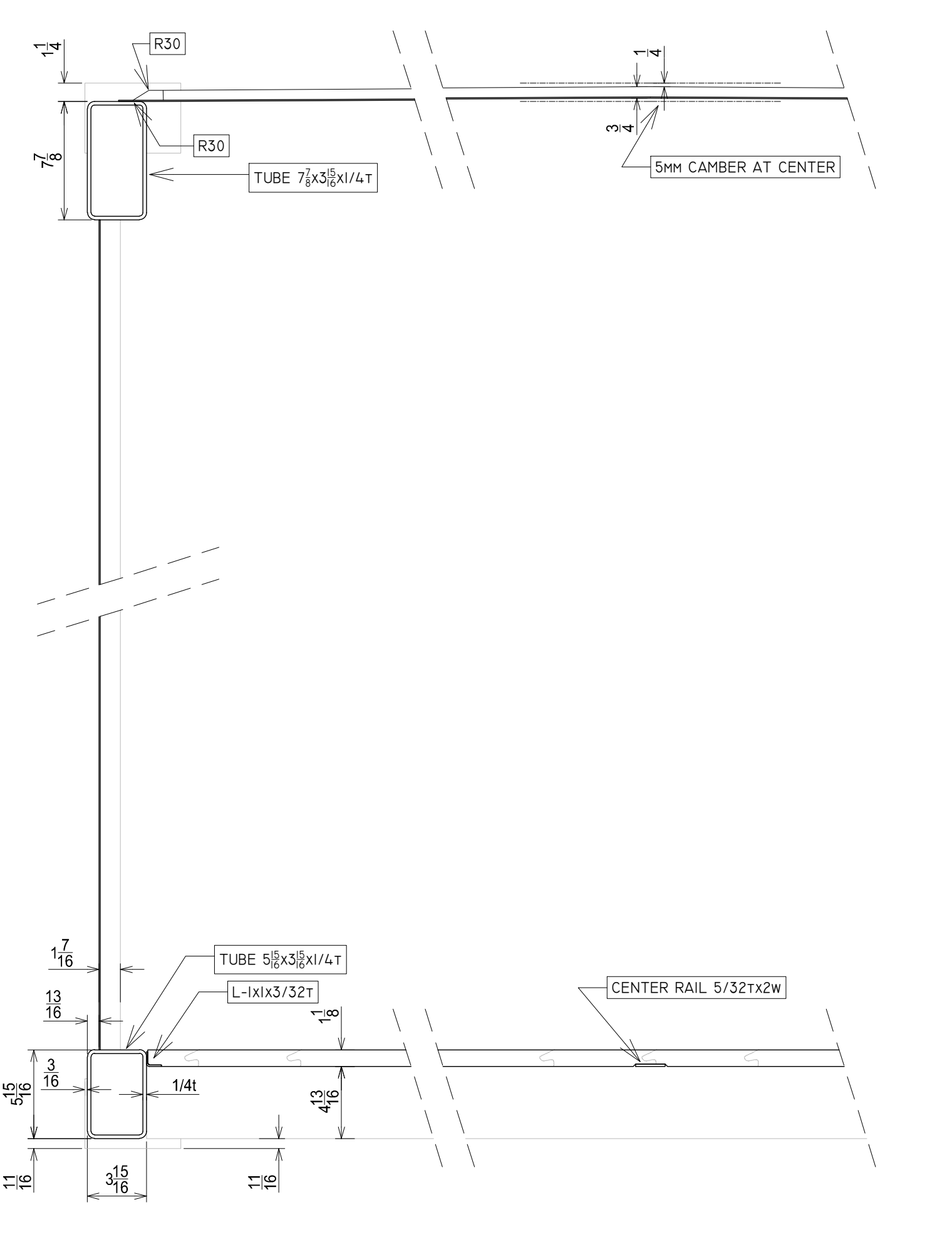
SECTION "C"-"C"



Container door welding



SECTION "A"-"A"



SECTION "B"-"B"

NO.	DATE	DESCRIPTION

A 2025-10-27 SHOP DRAWINGS 1ST ISSUE

NO. DATE DESCRIPTION

STAMP

SHEET TITLE
STRUCTURE DETAILS

SCALE 1:8

DRAWN BY SHEET

FF 19

CONTAINERS ARE TYPICALLY WEATHERING STEEL HOWEVER, STRUCTURAL STEEL IS ACCEPTABLE STRUCTURALLY

STRUCTURAL STEEL & WELDING NOTES:

- STEEL MATERIAL
1. ALL STRUCTURAL STEEL SHALL CONFORM TO ASTM A36 OR ASTM A500 GRADE B, UNLESS OTHERWISE SPECIFIED.
- WELDING
1. ALL TUBING SHALL BE WELDED FROM THE EXTERIOR UNLESS OTHERWISE SPECIFIED, AND SEALED ON THE INTERIOR USING SIKAFLEX-1A OR APPROVED EQUIVALENT.
2. ALL WELDS SHALL BE CONTINUOUS UNLESS OTHERWISE SPECIFIED ON THE DRAWINGS.
3. WELDING TO COMPLY WITH CSA W59 (CANADA) OR AWS D1.1 (USA), PERFORMED BY CERTIFIED WELDERS.
4. APPLY ZINC-RICH WELDABLE PRIMER OR APPROVED EQUIVALENT TO ALL STEEL SURFACES THAT WILL BE WELDED AND ARE INACCESSIBLE FOR PAINTING AFTER INSTALLATION.
5. WELDS TO BE VISUALLY INSPECTED FOR QUALITY AND COMPLIANCE.
6. FIELD WELDING SHALL BE MINIMIZED AND COORDINATED WITH THE ENGINEER.

- FABRICATION AND TOLERANCES
1. VERIFY ALL CRITICAL DIMENSIONS ON SITE BEFORE FABRICATION.
2. REPORT DISCREPANCIES OR CONFLICTS TO THE DESIGNER BEFORE PROCEEDING.

REVIEWED AND NOTED FOR DESIGN INTENT ONLY. DIMENSIONS AND QUANTITIES ARE NOT GUARANTEED.

REVIEWED FOR LOADS IMPOSED ON BASIC STRUCTURE ONLY

NOT REVIEWED

NO EXCEPTIONS TAKEN

NOTE MARKINGS

COMMENTS ATTACHED

REVISE & RESUBMIT

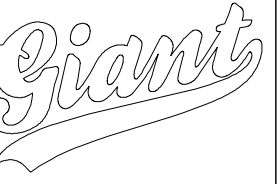
BY: *R.S.C.*

DATE: 03/12/2026

SWENSON SAY FAGET
STRUCTURAL ENGINEERING
2124 Third Avenue, Suite 100, Seattle, WA 98121
234 Broadway, Suite 100, Tacoma, WA 98402
451 Millard Street, Suite 8, Ellensburg, WA 98926
206-443-6112 www.safegroup.com

GIANT CONTAINERS INC.

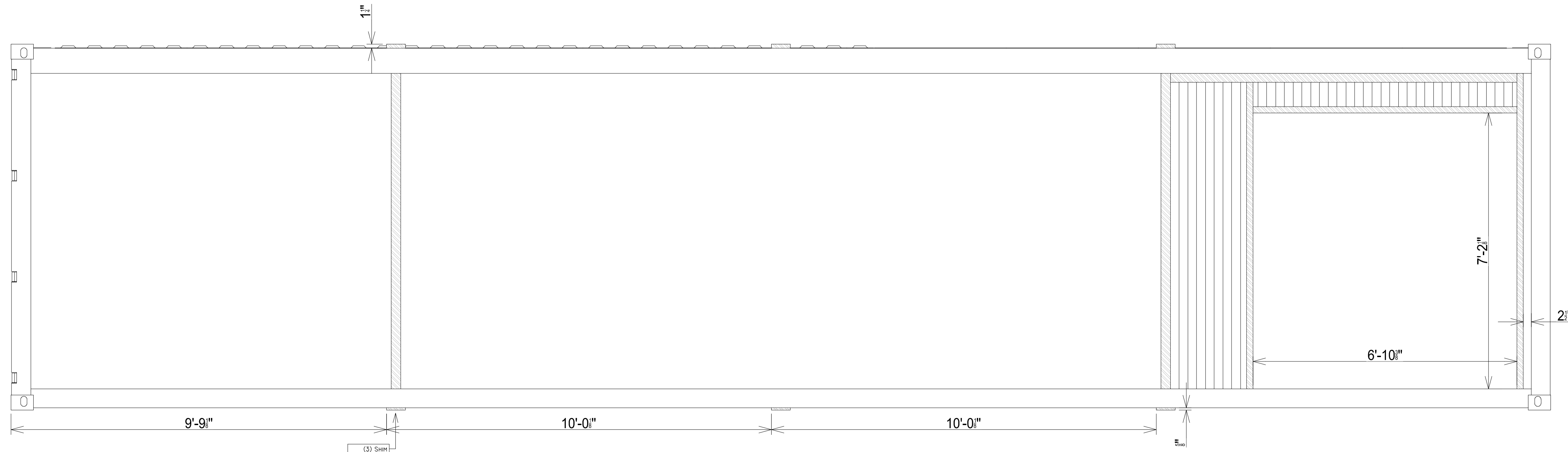
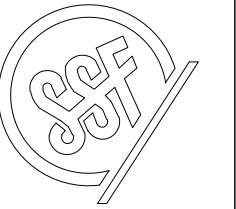
125 UNWIN AVE
TORONTO, ON M5A 1A2
888.974.4268
WWW.GIANTCONTAINERS.COM



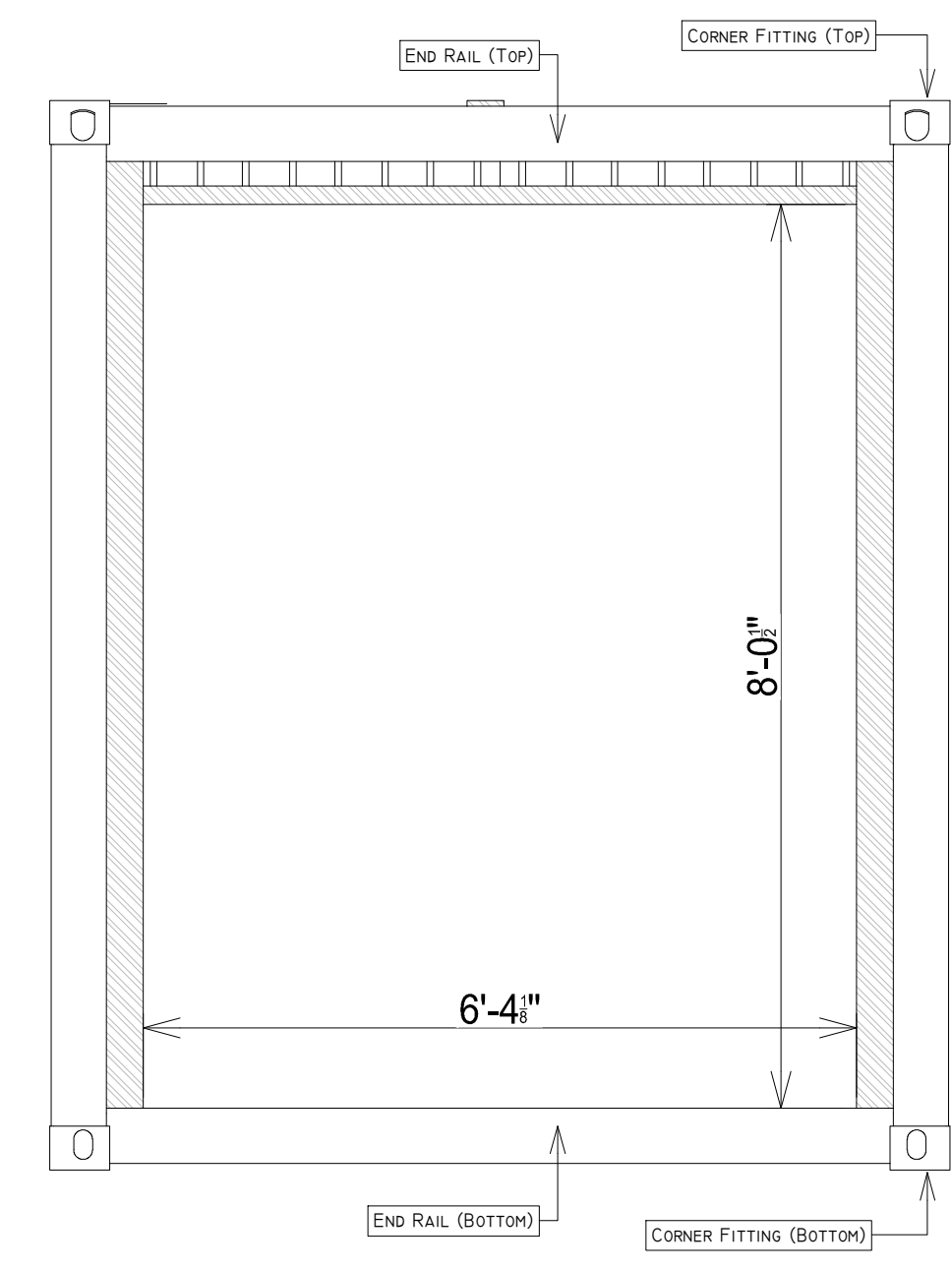
PROJECT
MERCER ISLAND HOUSE
MERCER ISLAND, WASHINGTON, USA

CLIENT
SAM ADAMS
3508 96TH AVE SE
MERCER ISLAND, WA
98040
USA

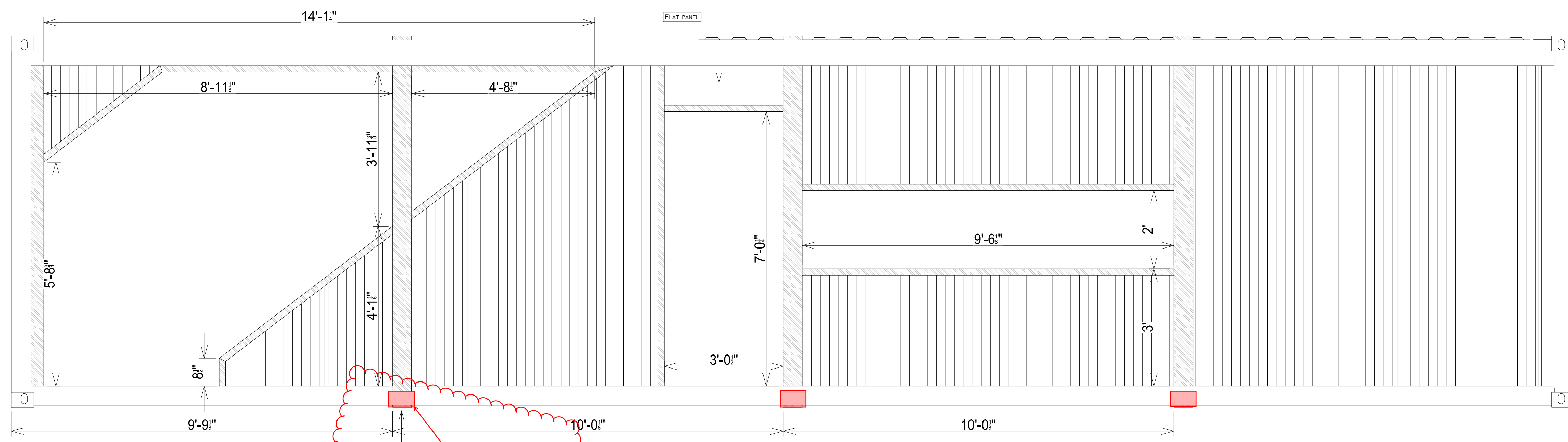
CONSULTANT
SSF STRUCTURAL
ENGINEERING
2124 THIRD AVENUE, SUITE 100
SEATTLE, WA 98121
206.443.6212
WWW.SSFENGINEERS.COM



SIDE WALL - LEFT - Module B

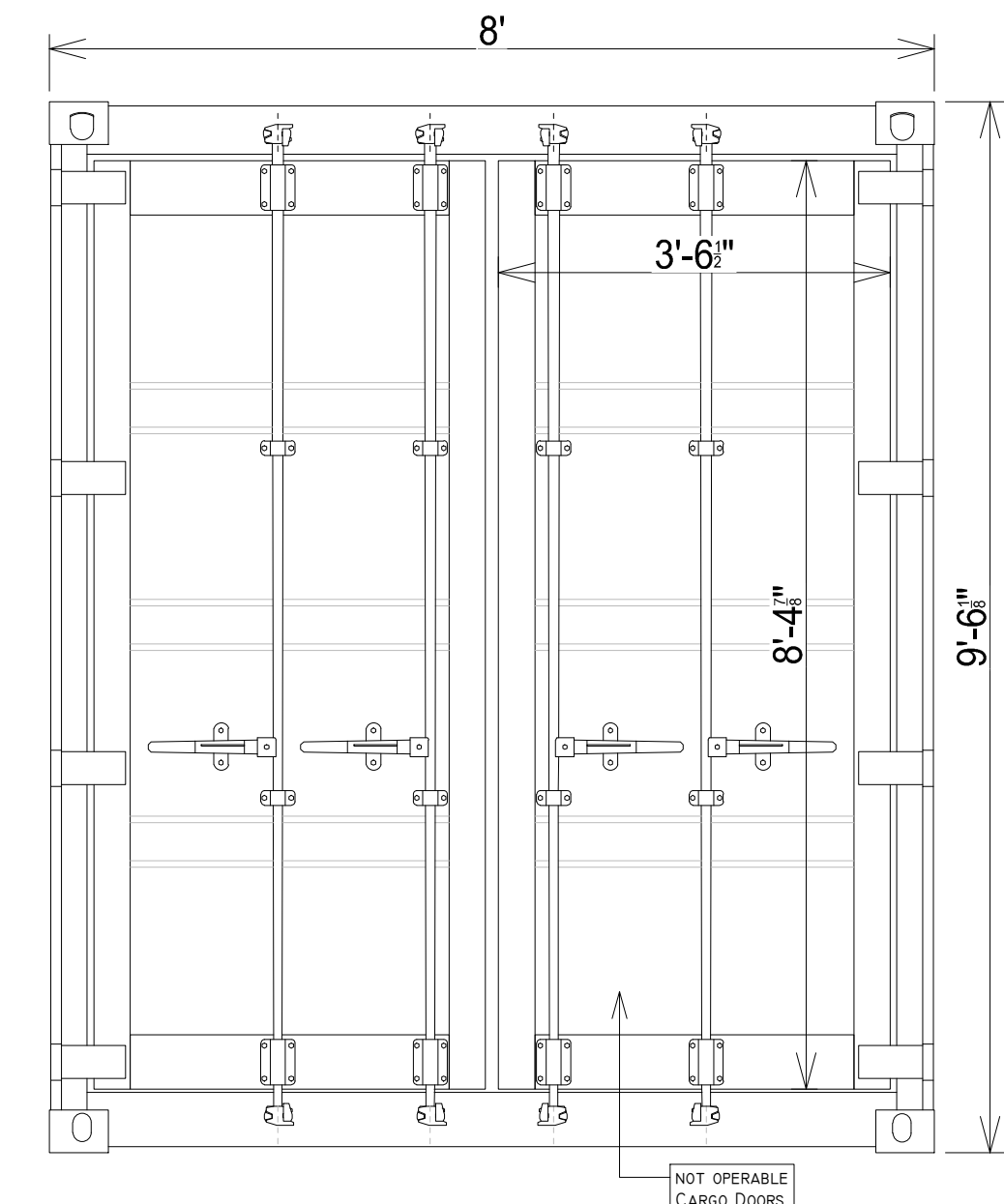


REAR END - Module B



SIDE WALL - RIGHT - Module B

CONTAINER FITTING PER 8/5.2 (3) PLACES



FRONT END - Module B

NO.	DATE	DESCRIPTION
A	2025-10-27	SHOP DRAWINGS 1ST ISSUE

STAMP

SHEET TITLE
ELEVATIONS

SCALE 1:8
DRAWN BY FF SHEET 23

DISCLAIMER
THE IDEAS AND DESIGNS REPRESENTED HEREIN WERE PREPARED BY, OR AS WORK MADE FOR HIRE FOR, GIANT CONTAINERS, INC. GIANT CONTAINERS, INC. DOES HEREBY RESERVE ALL COMMON LAW, STATUTORY AND OTHER RIGHTS, INCLUDING COPYRIGHTS IN AND TO THE IDEAS AND DESIGNS SHOWN AND EXPRESSED HEREIN WHICH IDEAS AND DESIGNS MAY NOT BE USED OR REUSED BY ANY OTHER PERSON WITHOUT PRIOR WRITTEN CONSENT OF GIANT CONTAINERS, INC. SUBMITTAL OR DISTRIBUTION TO MEET OFFICIAL REGULATORY REQUIREMENTS OR FOR OTHER PURPOSES IN CONNECTION WITH THIS PROJECT IS NOT TO BE CONSTRUED AS PUBLICATION IN DEROGATION GIANT CONTAINERS INC.'S COPYRIGHTS OR OTHER RESERVED RIGHTS.

CONTAINERS ARE TYPICALLY WEATHERING STEEL HOWEVER, STRUCTURAL STEEL IS ACCEPTABLE STRUCTURALLY

STRUCTURAL STEEL & WELDING NOTES:

- STEEL MATERIAL
1. ALL STRUCTURAL STEEL SHALL CONFORM TO ASTM A36 OR ASTM A500 GRADE B, UNLESS OTHERWISE SPECIFIED.
- WELDING
1. ALL TUBING SHALL BE WELDED FROM THE EXTERIOR UNLESS OTHERWISE SPECIFIED, AND SEALED ON THE INTERIOR USING SIKAFLEX-1A OR APPROVED EQUIVALENT.
2. ALL WELDS SHALL BE CONTINUOUS UNLESS OTHERWISE SPECIFIED ON THE DRAWINGS.
3. WELDING TO COMPLY WITH CSA W59 (CANADA) OR AWS D1.1 (USA), PERFORMED BY CERTIFIED WELDERS.
4. APPLY ZINC-RICH WELDABLE PRIMER OR APPROVED EQUIVALENT TO ALL STEEL SURFACES THAT WILL BE WELDED AND ARE INACCESSIBLE FOR PAINTING AFTER INSTALLATION.
5. WELDS TO BE VISUALLY INSPECTED FOR QUALITY AND COMPLIANCE.
6. FIELD WELDING SHALL BE MINIMIZED AND COORDINATED WITH THE ENGINEER.

- FABRICATION AND TOLERANCES
1. VERIFY ALL CRITICAL DIMENSIONS ON SITE BEFORE FABRICATION.
2. REPORT DISCREPANCIES OR CONFLICTS TO THE DESIGNER BEFORE PROCEEDING.

REVIEWED AND NOTED FOR DESIGN INTENT ONLY. DIMENSIONS AND QUANTITIES ARE NOT GUARANTEED.

REVIEWED FOR LOADS IMPOSED ON BASIC STRUCTURE ONLY

NOT REVIEWED

NO EXCEPTIONS TAKEN

NOTE MARKINGS

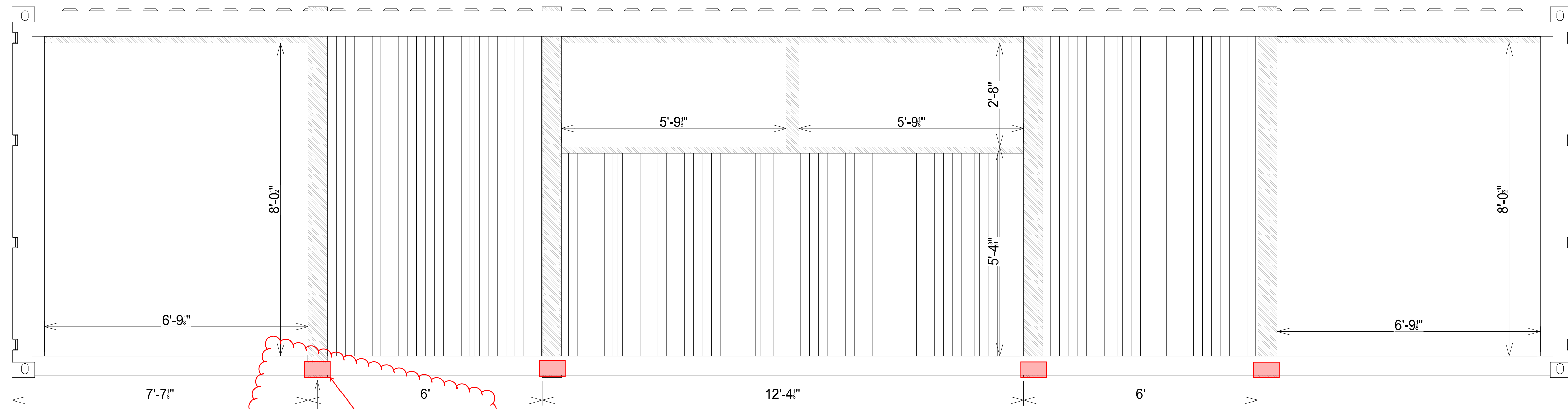
COMMENTS ATTACHED

REVISE & RESUBMIT

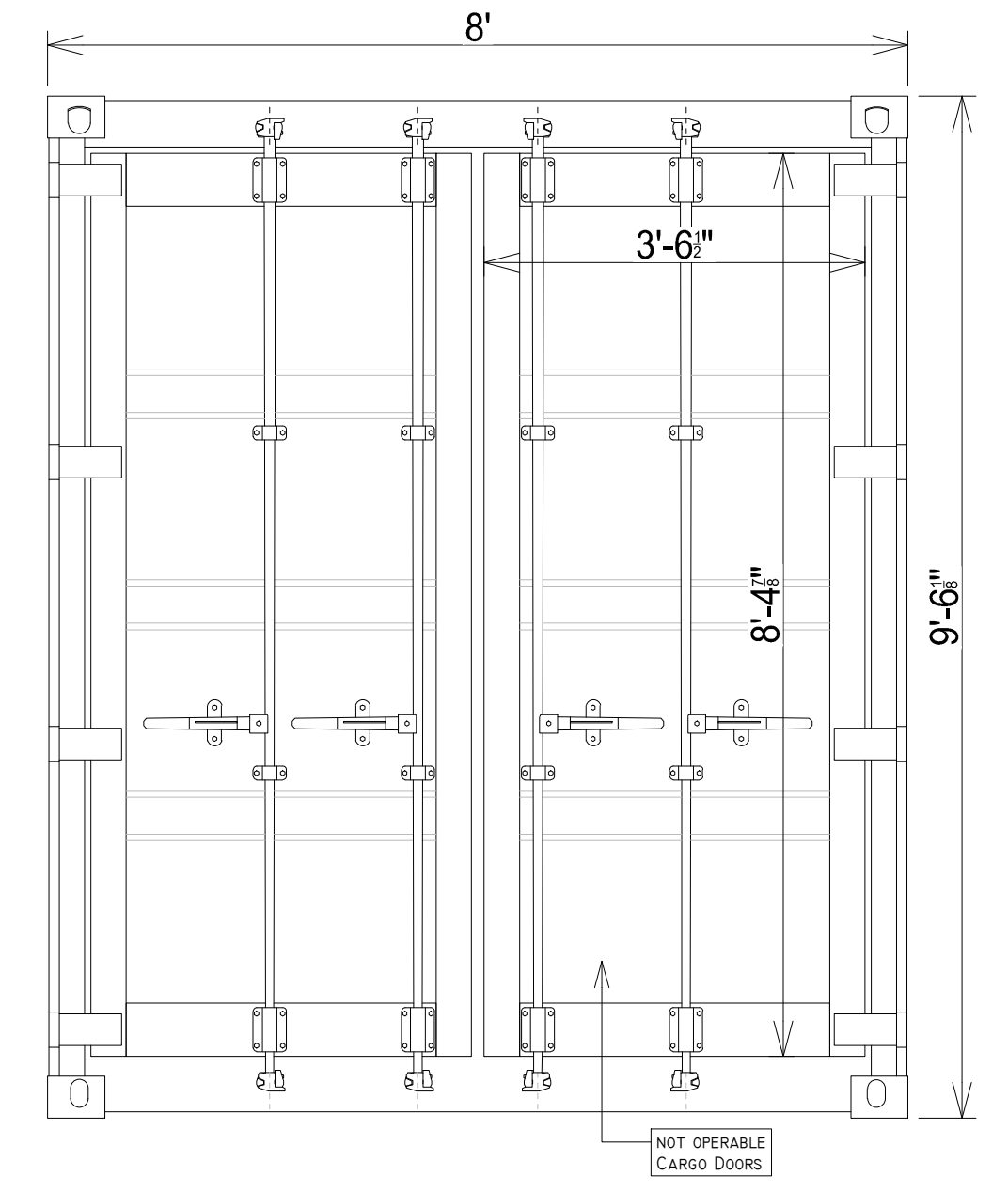
BY: *R.S.C.*

DATE: 03/12/2026

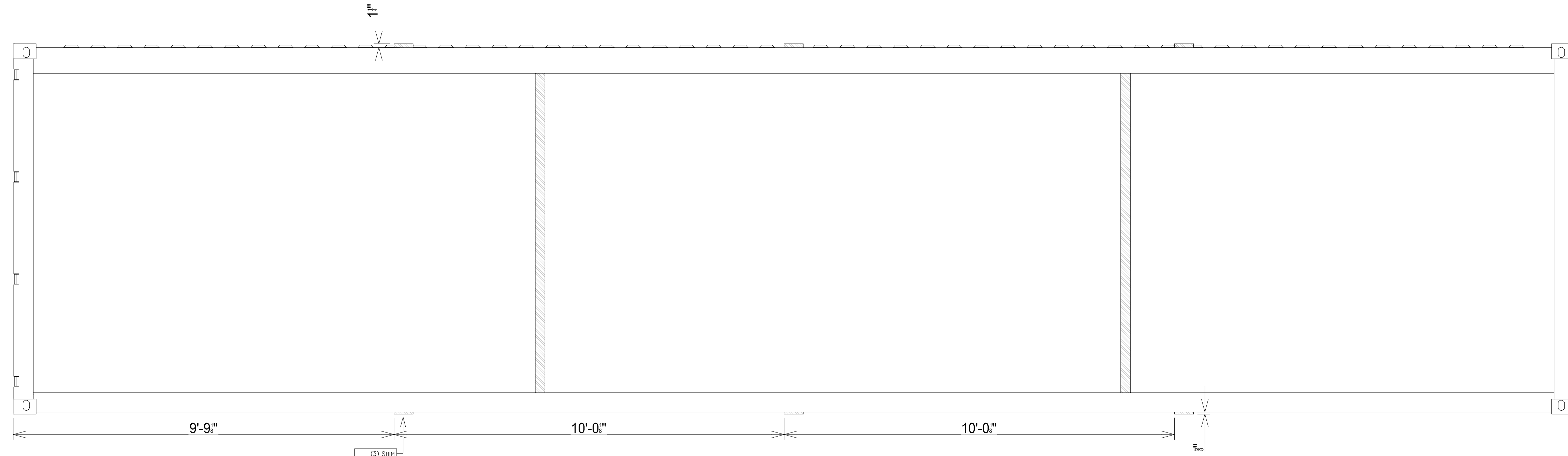
SWENSON SAY FAGET
STRUCTURAL ENGINEERING
2124 THIRD AVENUE, SUITE 100, SEATTLE, WA 98121
206.443.6212
www.ssfengineers.com



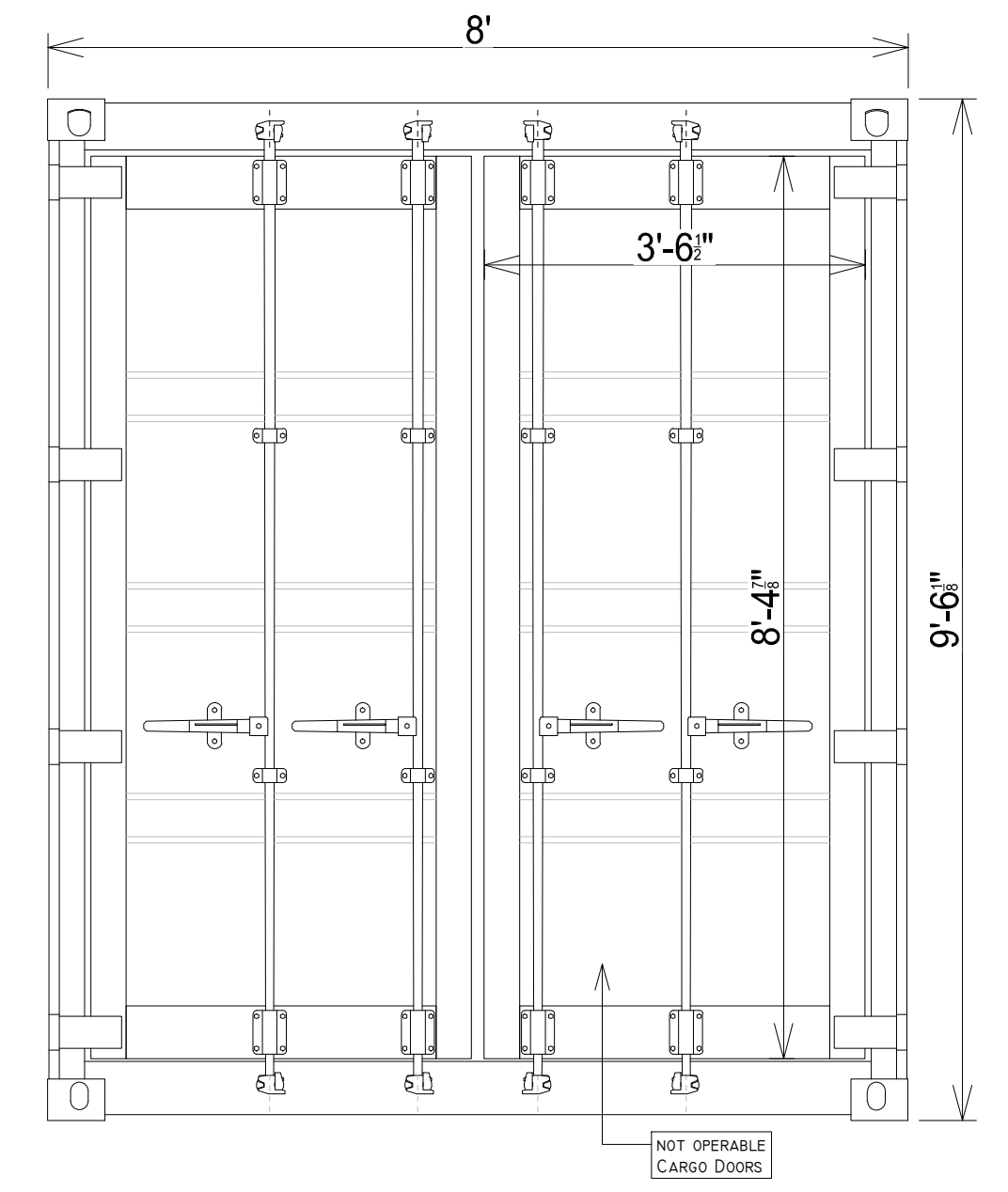
SIDE WALL - LEFT - Module C



REAR END - Module C



SIDE WALL - RIGHT - Module C



FRONT END - Module C

ISSUE/REVISION	NO.	DATE	DESCRIPTION

A	2025-10-27	SHOP DRAWINGS 1ST ISSUE
---	------------	-------------------------

STAMP

SHEET TITLE
ELEVATIONS

SCALE 1:8
DRAWN BY FF SHEET 25

CONTAINERS ARE TYPICALLY WEATHERING STEEL HOWEVER, STRUCTURAL STEEL IS ACCEPTABLE STRUCTURALLY

STRUCTURAL STEEL & WELDING NOTES:

STEEL MATERIAL
1. ALL STRUCTURAL STEEL SHALL CONFORM TO ASTM A36 OR ASTM A500 GRADE B, UNLESS OTHERWISE SPECIFIED.

WELDING
1. ALL TUBING SHALL BE WELDED FROM THE EXTERIOR UNLESS OTHERWISE SPECIFIED, AND SEALED ON THE INTERIOR USING SIKA SIKAFLEX-1A OR APPROVED EQUIVALENT.
2. ALL WELDS SHALL BE CONTINUOUS UNLESS OTHERWISE SPECIFIED ON THE DRAWINGS.
3. WELDING TO COMPLY WITH CSA W59 (CANADA) OR AWS D1.1 (USA), PERFORMED BY CERTIFIED WELDERS.
4. APPLY ZINC-RICH WELDABLE PRIMER OR APPROVED EQUIVALENT TO ALL STEEL SURFACES THAT WILL BE WELDED AND ARE INACCESSIBLE FOR PAINTING AFTER INSTALLATION.
5. WELDS TO BE VISUALLY INSPECTED FOR QUALITY AND COMPLIANCE.
6. FIELD WELDING SHALL BE MINIMIZED AND COORDINATED WITH THE ENGINEER.

FABRICATION AND TOLERANCES
1. VERIFY ALL CRITICAL DIMENSIONS ON SITE BEFORE FABRICATION.
2. REPORT DISCREPANCIES OR CONFLICTS TO THE DESIGNER BEFORE PROCEEDING.

REVIEWED AND NOTED FOR DESIGN INTENT ONLY. DIMENSIONS AND QUANTITIES ARE NOT GUARANTEED.

REVIEWED FOR LOADS IMPOSED ON BASIC STRUCTURE ONLY

NOT REVIEWED

NO EXCEPTIONS TAKEN

NOTE MARKINGS

COMMENTS ATTACHED

REVISE & RESUBMIT

BY: *R.S.C.*

DATE: 03/12/2026

SWENSON SAY FAGET
STRUCTURAL ENGINEERING
2124 Third Avenue, Suite 100, Seattle, WA 98121
234 Broadway, Suite 100, Tacoma, WA 98402
475 Millard Street, Suite 8, Ellensburg, WA 98926
206.443.6212 www.ssfengineers.com

GIANT CONTAINERS INC.

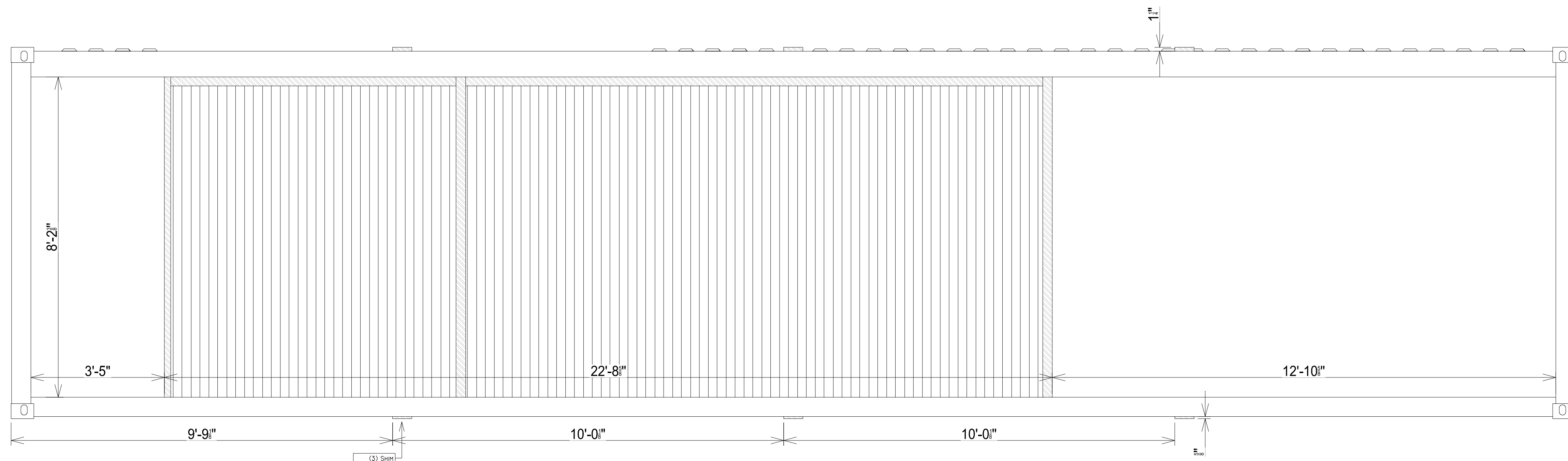
125 UNWIN AVE
TORONTO, ON M5A 1A2
888.974.4268
WWW.GIANTCONTAINERS.COM



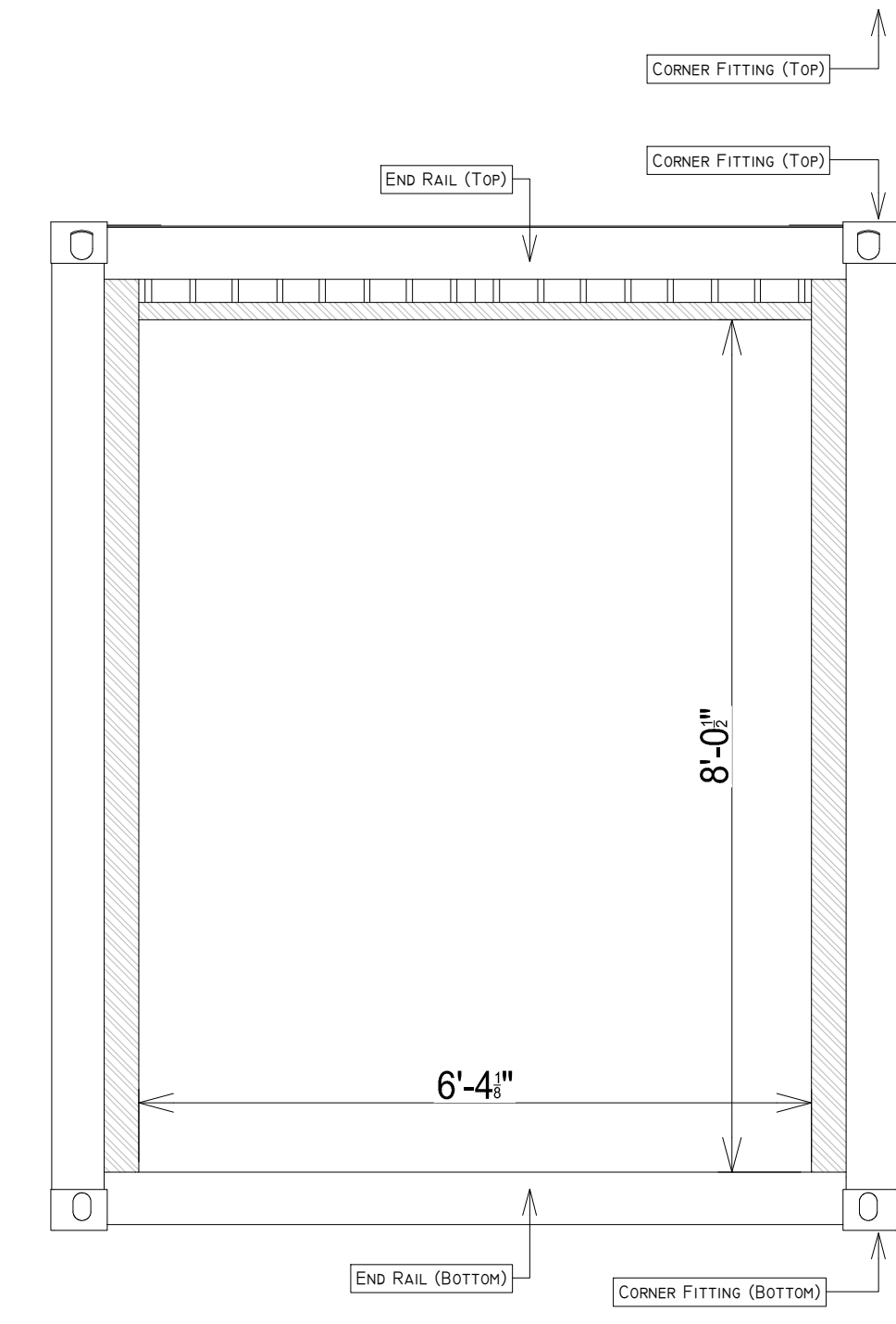
PROJECT
MERCER ISLAND HOUSE
MERCER ISLAND, WASHINGTON, USA

CLIENT
SAM ADAMS
3508 96TH AVE SE
MERCER ISLAND, WA
98040
USA

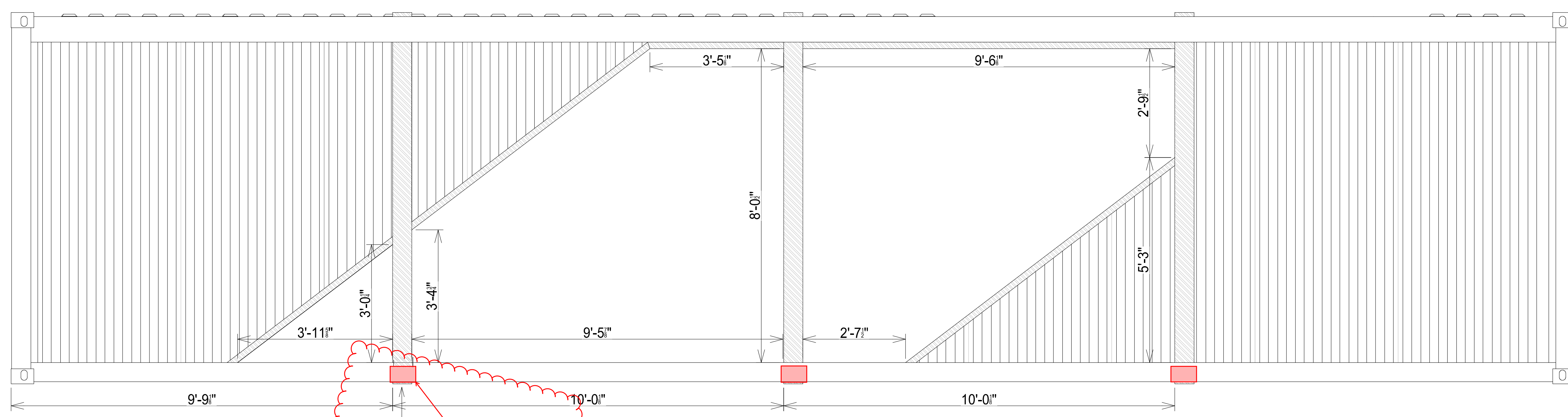
CONSULTANT
SSF STRUCTURAL
ENGINEERING
2124 THIRD AVENUE, SUITE 100
SEATTLE, WA 98121
206.443.6212
WWW.SSFENGINEERS.COM



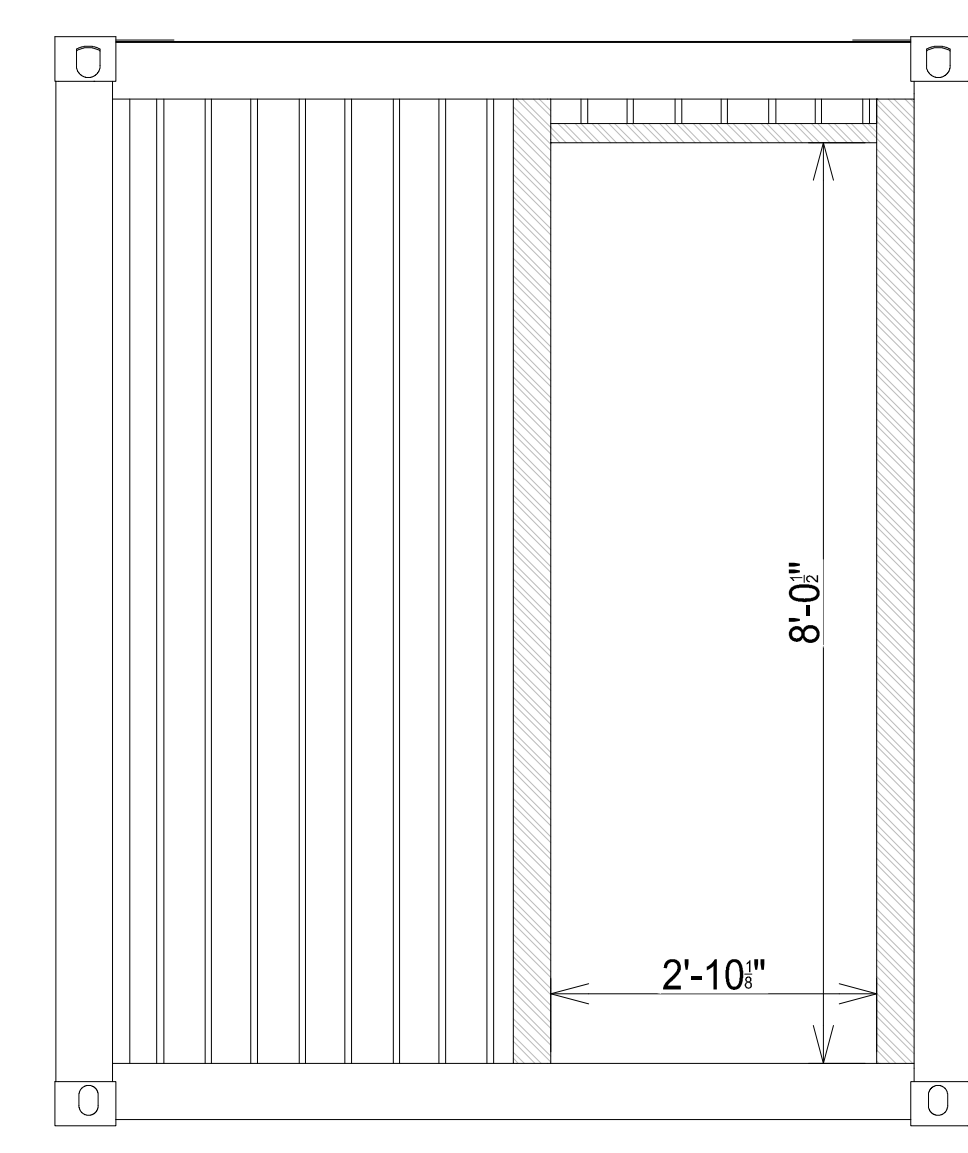
SIDE WALL - LEFT - Module D



REAR END - Module D



SIDE WALL - RIGHT - Module D



FRONT END - Module D

NO.	DATE	DESCRIPTION
A	2025-10-27	SHOP DRAWINGS 1ST ISSUE

STAMP

SHEET TITLE
ELEVATIONS

SCALE 1:8
DRAWN BY FF SHEET 27

DISCLAIMER
THE IDEAS AND DESIGNS REPRESENTED HEREIN WERE PREPARED BY, OR AS WORK MADE FOR HIRE FOR, GIANT CONTAINERS, INC. GIANT CONTAINERS, INC. DOES HEREBY RESERVE ALL COMMON LAW, STATUTORY AND OTHER RIGHTS, INCLUDING COPYRIGHTS IN AND TO THE IDEAS AND DESIGNS SHOWN AND EXPRESSED HEREIN WHICH IDEAS AND DESIGNS MAY NOT BE USED OR REUSED BY ANY OTHER PERSON WITHOUT PRIOR WRITTEN CONSENT OF GIANT CONTAINERS, INC. SUBMITTAL OR DISTRIBUTION TO MEET OFFICIAL REGULATORY REQUIREMENTS OR FOR OTHER PURPOSES IN CONNECTION WITH THIS PROJECT IS NOT TO BE CONSTRUED AS PUBLICATION IN DEROGATION GIANT CONTAINERS INC.'S COPYRIGHTS OR OTHER RESERVED RIGHTS.

CONTAINERS ARE TYPICALLY WEATHERING STEEL HOWEVER, STRUCTURAL STEEL IS ACCEPTABLE STRUCTURALLY

STRUCTURAL STEEL & WELDING NOTES:

- STEEL MATERIAL
1. ALL STRUCTURAL STEEL SHALL CONFORM TO ASTM A36 OR ASTM A500 GRADE B, UNLESS OTHERWISE SPECIFIED.
- WELDING
1. ALL TUBING SHALL BE WELDED FROM THE EXTERIOR UNLESS OTHERWISE SPECIFIED, AND SEALED ON THE INTERIOR USING SIKAFLEX-1A OR APPROVED EQUIVALENT.
2. ALL WELDS SHALL BE CONTINUOUS UNLESS OTHERWISE SPECIFIED ON THE DRAWINGS.
3. WELDING TO COMPLY WITH CSA W59 (CANADA) OR AWS D1.1 (USA), PERFORMED BY CERTIFIED WELDERS.
4. APPLY ZINC-RICH WELDABLE PRIMER OR APPROVED EQUIVALENT TO ALL STEEL SURFACES THAT WILL BE WELDED AND ARE INACCESSIBLE FOR PAINTING AFTER INSTALLATION.
5. WELDS TO BE VISUALLY INSPECTED FOR QUALITY AND COMPLIANCE.
6. FIELD WELDING SHALL BE MINIMIZED AND COORDINATED WITH THE ENGINEER.

- FABRICATION AND TOLERANCES
1. VERIFY ALL CRITICAL DIMENSIONS ON SITE BEFORE FABRICATION.
2. REPORT DISCREPANCIES OR CONFLICTS TO THE DESIGNER BEFORE PROCEEDING.

REVIEWED AND NOTED FOR DESIGN INTENT ONLY. DIMENSIONS AND QUANTITIES ARE NOT GUARANTEED.

REVIEWED FOR LOADS IMPOSED ON BASIC STRUCTURE ONLY

NOT REVIEWED

NO EXCEPTIONS TAKEN

NOTE MARKINGS

COMMENTS ATTACHED

REVISE & RESUBMIT

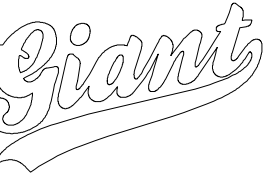
BY: *R.S.C.*

DATE: 03/12/2026

SWENSON SAY FAGET
STRUCTURAL ENGINEERING
2124 Third Avenue, Suite 100, Seattle, WA 98121
234 Broadway, Suite 100, Tacoma, WA 98402
475 Millard Street, Suite 8, Ellensburg, WA 98926
206.443.6212 www.ssfengineers.com

GIANT CONTAINERS INC.

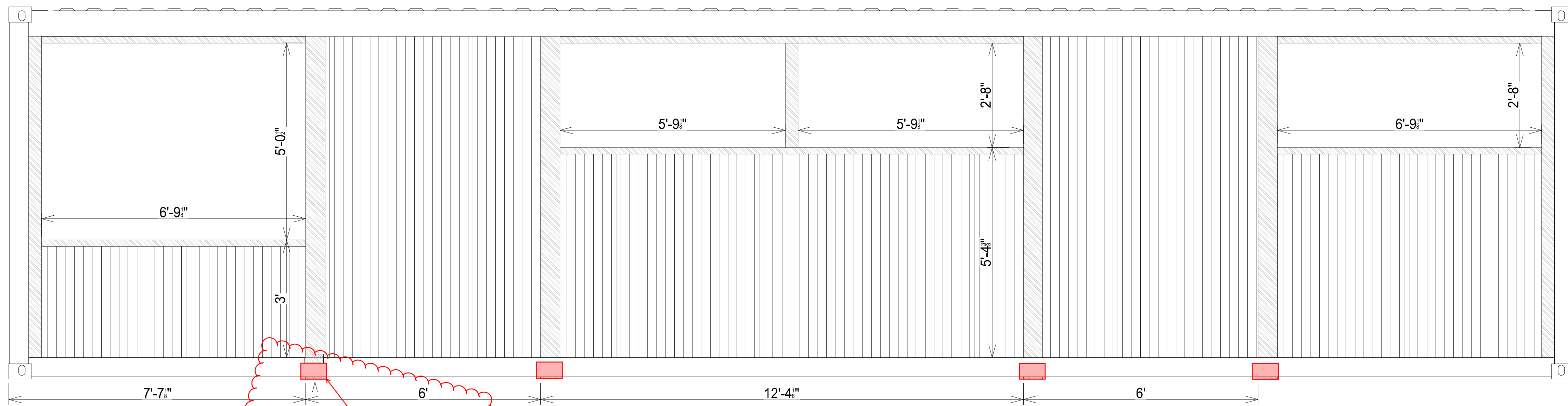
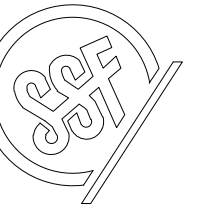
125 UNWIN AVE
TORONTO, ON M5A 1A2
888.974.4268
WWW.GIANTCONTAINERS.COM



PROJECT
MERCER ISLAND HOUSE
MERCER ISLAND, WASHINGTON, USA

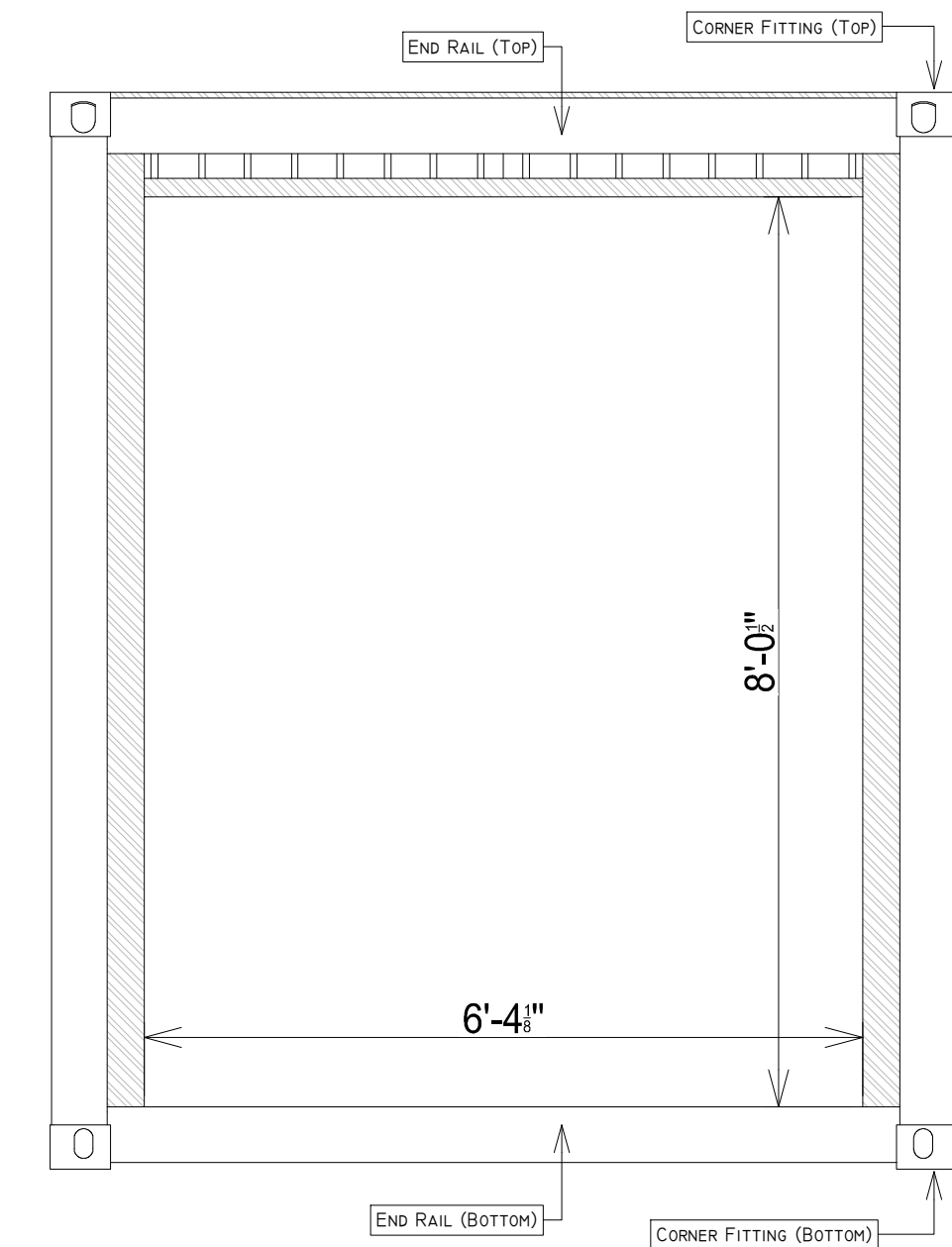
CLIENT
SAM ADAMS
3508 96TH AVE SE
MERCER ISLAND, WA
98040
USA

CONSULTANT
SSF STRUCTURAL
ENGINEERING
2124 THIRD AVENUE, SUITE 100
SEATTLE, WA 98121
206.443.6212
WWW.SSFENGINEERS.COM

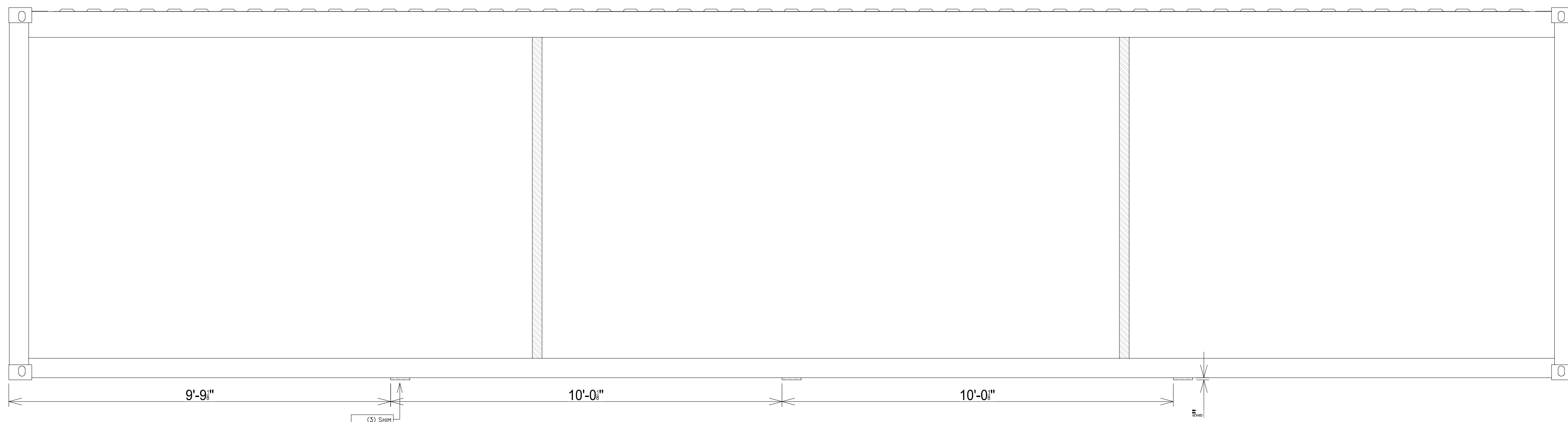


SIDE WALL - LEFT - Module E

(4) SHIM
LxS-7/8x5/8
CONTAINER FITTING PER
8/SS.2 (4) PLACES

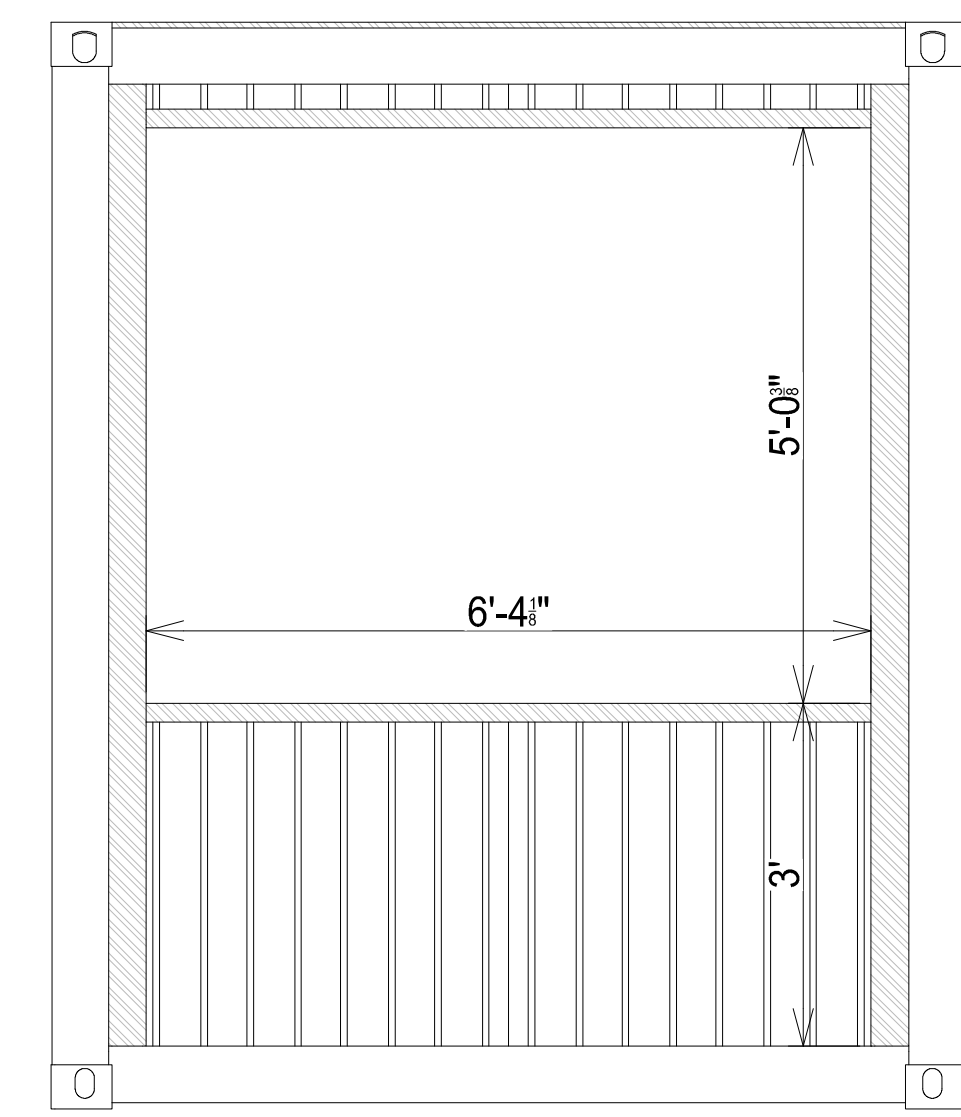


REAR END - Module E



SIDE WALL - RIGHT - Module E

(3) SHIM
LxS-7/8x5/8



FRONT END - Module E

NO.	DATE	DESCRIPTION
A	2025-10-27	SHOP DRAWINGS 1ST ISSUE

STAMP

SHEET TITLE
ELEVATIONS

SCALE 1:8

DRAWN BY FF SHEET 29

DISCLAIMER
THE IDEAS AND DESIGNS REPRESENTED HEREIN WERE PREPARED BY, OR AS WORK MADE FOR HIRE FOR, GIANT CONTAINERS, INC. GIANT CONTAINERS, INC. DOES HEREBY RESERVE ALL COMMON LAW, STATUTORY AND OTHER RIGHTS, INCLUDING COPYRIGHTS IN AND TO THE IDEAS AND DESIGNS SHOWN AND EXPRESSED HEREIN WHICH IDEAS AND DESIGNS MAY NOT BE USED OR REUSED BY ANY OTHER PERSON WITHOUT PRIOR WRITTEN CONSENT OF GIANT CONTAINERS, INC. SUBMITTAL OR DISTRIBUTION TO MEET OFFICIAL REGULATORY REQUIREMENTS OR FOR OTHER PURPOSES IN CONNECTION WITH THIS PROJECT IS NOT TO BE CONSTRUED AS PUBLICATION IN DEROGATION GIANT CONTAINERS INC.'S COPYRIGHTS OR OTHER RESERVED RIGHTS.

